

LIST OF APPENDICES

GENERAL DETAILS

G – 1.0	Letter of Credit / Surety – Established Form
G – 1.1	Letter of Credit / Surety – Release Transmittal Form
G – 2.0	Letter of Credit – Release Form
G – 3.0	Dedication Checklist
G – 3.1	Dedication Form
G – 4.0	Inspection Form
G – 5.0	Town Development Office Action Chart
G – 5.1	Town Development Office Action Chart – Continued
G – 5.2	Town Development Office Action Chart – Continued
G – 5.3	Town Development Office Action Chart – Continued
G – 6.0	SEQR Basic Flow Chart
G – 7.0	Typical Service Detail
G – 8.0	Utility Notifications
G – 9.0	Public Safety Sign Detail
G – 10.0	Pre-Construction Checklist Form
G – 11.0	Grading Permit Checklist Form
G – 12.0	Signature Line Locations
G – 13.0	Required Construction Inspections List

TOWN OF
FARMINGTON

1000 County Road #8
Farmington, NY 14425

APPENDIX: **G - 1.0**

DATE: 2025

SCALE: N.T.S.



LETTER OF CREDIT/SURETY - ESTABLISHED

PROJECT NAME _____

PLANNING BOARD FILE No: PB # _____

TOWN BOARD RESOLUTION NUMBER _____ OF _____ DATED _____

LETTER OF CREDIT/SURETY NUMBER: _____

EFFECTIVE DATE OF LETTER OF CREDIT/SURETY: _____

EXPIRATION DATE OF LETTER OF CREDIT/SURETY: _____

TIME FOR COMPLETION OF IMPROVEMENTS: _____

FINANCIAL INSTITUTION NAME, ADDRESS, AND CONTACT INFORMATION:

ITEMS COVERED BY THIS LETTER OF CREDIT/SURETY:

- LIST ATTACHED
- ENGINEER'S ESTIMATE ATTACHED
- LISTED BELOW:

TOWN ENGINEER

DATE

TOWN DIRECTOR OF PLANNING & DEVELOPMENT

DATE

TOWN CLERK

DATE

TOWN OF
FARMINGTON

1000 County Road #8
Farmington, NY 14425

APPENDIX: **G - 1.1**

DATE: 2025

SCALE: N.T.S.



LETTER OF CREDIT/SURETY - RELEASE TRANSMITTAL

PROJECT NAME _____

PLANNING BOARD FILE No: PB # _____

THE TOWN OFFICIALS LISTED BELOW HAVE COMPLETED THEIR REVIEW OF THIS REQUEST FOR A (PARTIAL) OR (FINAL) RELEASE OF FUNDS FROM THE LETTER OF CREDIT/SURETY ON FILE. THIS REQUEST IS IDENTIFIED AS RELEASE NUMBER _____ FOR THE _____ PROJECT. THE TOWN OFFICIALS REVIEW OF THIS REQUEST INCLUDES A REVIEW OF THE DEVELOPER'S ENGINEER ESTIMATES OF VALUE OF THE WORK COMPLETED IN ACCORDANCE WITH APPROVED PLANS. BASED UPON THESE SIGNATURES, THE TOWN CONSTRUCTION INSPECTOR AND THE TOWN ENGINEER HAVE PREPARED A COVER LETTER TRANSMITTING THIS REQUEST TO THE TOWN DIRECTOR OF PLANNING AND DEVELOPMENT ASKING THAT THIS MATTER BE PLACED ON BOTH THE PLANNING BOARD AND TOWN BOARD MEETING AGENDAS IDENTIFIED HEREIN.

THIS RELEASE IS SCHEDULED TO BE ACTED UPON AT THE _____ PLANNING BOARD MEETING AND THE _____ TOWN BOARD MEETING.

THE TOTAL AMOUNT OF THIS (PARTIAL) OR (FINAL) RELEASE OF FUNDS IS \$ _____.

WE, THE UNDERSIGNED, HAVE REVIEWED THIS REQUEST FOR THE RELEASE OF FUNDS BEING HELD IN THE LETTER OF CREDIT/SURETY IDENTIFIED ABOVE; AND ACCEPT THE INSTALLED SITE IMPROVEMENTS AND THE ENGINEER'S ESTIMATE OF VALUE FINDING THEM TO BE IN ACCORDANCE WITH APPROVED PLANS ON FILE IN THE TOWN DEVELOPMENT OFFICE.

1. _____ DATE _____
TOWN WATER AND SEWER SUPERINTENDENT
2. _____ DATE _____
TOWN HIGHWAY AND PARKS SUPERINTENDENT
3. _____ DATE _____
TOWN CODE ENFORCEMENT OFFICER
4. _____ DATE _____
TOWN CONSTRUCTION INSPECTOR
5. _____ DATE _____
TOWN ENGINEER
6. _____ DATE _____
TOWN CLERK
7. _____ DATE _____
TOWN SUPERVISOR'S OFFICE
(VERIFICATION OF NO OUSTANDING/UNPAID BILLS)
8. _____ DATE _____
TOWN DIRECTOR OF PLANNING AND DEVELOPMENT

TOWN OF
FARMINGTON

1000 County Road #8
Farmington, NY 14425

APPENDIX: **G - 2.0**

DATE: 2025

SCALE: N.T.S.



LETTER OF CREDIT - RELEASE FORM

PROJECT NAME _____

DATE _____

PROJECT NO. _____

LOC RELEASE DATE _____

PARTIAL RELEASE FINAL RELEASE

LOC EXPIRATION DATE _____

OVERALL PROJECT COSTS

TOTAL CONSTRUCTION _____

TOWN GUARANTEES:

- CONTINGENCY (10%) _____
- CONST. OBSERVATION (3%) _____
- OTHER _____

TOTAL OVERALL PROJECT COST _____

PROJECT COSTS TO DATE

TOTAL CONSTRUCTION _____

TOWN GUARANTEES:

- CONTINGENCY (10%) _____
- CONST. OBSERVATION (3%) _____
- OTHER _____

SUBTOTAL COSTS TO DATE _____

LETTER OF CREDIT INFORMATION

ORIGINAL AMOUNT _____

RELEASE HISTORY:

No.	AMOUNT
_____	_____
_____	_____
_____	_____
_____	_____
_____	_____
_____	_____
_____	_____
_____	_____
_____	_____
_____	_____
_____	_____
_____	_____
_____	_____
_____	_____
_____	_____
_____	_____
_____	_____

SUBTOTAL _____

LETTER OF CREDIT
REMAINING BALANCE _____

PROJECT ENGINEER

DATE

OWNER

DATE

MUNICIPAL ENGINEER

DATE

PLANNING BOARD CHAIRMAN

DATE

FISCAL OFFICER

DATE

TOWN OF
FARMINGTON

1000 County Road #8
Farmington, NY 14425

APPENDIX: **G - 3.0**

DATE: 2025

SCALE: N.T.S.



DEDICATION CHECKLIST

RE: _____ PB# _____ - _____
(PROJECT NAME)

PRIOR TO THE TOWN BOARD FORMALLY ACCEPTING DEDICATION OF THE APPROVED SITE IMPROVEMENTS LISTED ON THE TOWN FORMS IDENTIFIED BELOW, THE CODE ENFORCEMENT OFFICER IS TO VERIFY THAT THE FOLLOWING ITEMS HAVE BEEN COMPLETED AND DOCUMENTS ATTESTING TO THIS HAVE BEEN FILED IN THE TOWN CLERK'S OFFICE (WHERE APPLICABLE).

- FINAL INSPECTION FORM APPENDIX G-4.0 COMPLETED BY TOWN CONSTRUCTION INSPECTOR AND TOWN STAFF, AND HAS BEEN PROVIDED, AND IS SIGNED AND DATED, AND IDENTIFIES ALL SITE IMPROVEMENTS TO BE DEDICATED AT THIS TIME:
DATE ON FORM _____ FINAL DATE _____
- ALL INSPECTIONS IN APPENDIX G-13.0 COMPLETED BY TOWN CONSTRUCTION INSPECTOR AND TOWN STAFF.
- SITE IMPROVEMENTS DEDICATION FORM APPENDIX G-3.1 FILLED OUT, SIGNED BY TOWN STAFF, AND WITH A RECOMMENDATION TO ACCEPT DEDICATION:
DATE ON FORM _____ FINAL DATE _____
- RECORD DRAWINGS AND GIS INFORMATION, IDENTIFYING THOSE SITE ITEMS BEING DEDICATED AS ARE LISTED ON THE ABOVE REFERENCED FORMS, HAS BEEN PROVIDED TO, REVIEWED BY, AND DEEMED COMPLETE BY TOWN ENGINEER AND TOWN STAFF PER LETTER/EMAIL DATED _____.
- TOWN ENGINEER LETTER OF RECOMMENDATION TO ACCEPT A MAINTENANCE BOND OR OTHER FORM OF APPROVED SURETY PER LETTER DATED _____
- CONFIRMATION THAT ALL EASEMENT MAPS AND LEGAL DESCRIPTIONS, LAND TRANSFER DOCUMENTS, R.O.W. DOCUMENTS, AND MS4 STORMWATER FACILITY MAINTENANCE AGREEMENT HAVE BEEN RECEIVED AND REVIEWED BY TOWN STAFF, APPROVED AND ACCEPTED BY THE TOWN BOARD, AND FILED WITH THE TOWN CLERK AND COUNTY CLERK BY TOWN ATTORNEY:
DATE FILED IN TOWN CLERK'S OFFICE _____
 - STORMWATER MAINTENANCE AGREEMENT NOT APPLICABLE
- TWO YEAR MAINTENANCE SURETY HAS BEEN FILED IN THE TOWN CLERK'S OFFICE FOR ALL APPROVED SITE IMPROVEMENTS PER LETTER REFERENCED ABOVE:
DATE FILED IN TOWN CLERK'S OFFICE _____

BY SIGNING THIS FORM, I THE CODE ENFORCEMENT OFFICE OF THE TOWN OF FARMINGTON ATTEST TO ALL OF THE ABOVE REFERENCED DOCUMENTS HAVING BEEN PROVIDED, AND THAT ACCEPTANCE OF THE IDENTIFIED GENERAL SITE IMPROVEMENTS FOR DEDICATION THAT HAVE BEEN APPROVED BY THE TOWN OFFICIALS FOR THE ABOVE REFERENCED PROJECT ARE READY TO BE ACCEPTED FOR DEDICATION BY THE TOWN BOARD.

CODE ENFORCEMENT OFFICER'S OFFICIAL SIGNATURE

DATE

TOWN OF FARMINGTON

1000 County Road #8
Farmington, NY 14425

APPENDIX: **G - 3.1**

DATE: 2025

SCALE: N.T.S.



DEDICATION FORM

DATE: _____

PB# _____ - _____

RE: _____
(PROJECT NAME)

THE ABOVE REFERENCED PROJECT INVOLVES ONE OR MORE COMPONENTS FOR DEDICATION TO THE TOWN OF FARMINGTON THAT ARE LISTED BELOW.

PUBLIC STREET(S) IDENTIFIED AS _____

PUBLIC WATERMAIN(S) AND APPURTENANCES

PUBLIC SEWER LINE(S) AND/OR PUMP STATIONS

STORM SEWERS

SIDEWALKS (INCLUDE LOCATION) _____

STREET LIGHTS

STORMWATER MANAGEMENT FACILITIES

STREET SIGNS

LANDSCAPING

PARKLAND (INCLUDE ACREAGE) _____

OTHER (SPECIFY) _____

IN ACCORDANCE WITH THE PROVISIONS OF §144-33.A (DEDICATION PROCESS) OF THE TOWN CODE, THE OFFICIALS LISTED BELOW, AS MAY BE APPROPRIATE, HAVE COMPLETED AN INSPECTION OF THE ABOVE REFERENCED PROJECT AND RECOMMEND THE TOWN BOARD TAKE ACTION TO ACCEPT FOR DEDICATION THE ABOVE DESCRIBED COMPONENTS.

N/A

_____ HIGHWAY SUPERINTENDENT _____ DATE _____

_____ WATER & SEWER SUPERINTENDENT _____ DATE _____

_____ CODE ENFORCEMENT OFFICER _____ DATE _____

_____ CONSTRUCTION INSPECTOR _____ DATE _____

_____ PLANNING BOARD CHAIRMAN _____ DATE _____

_____ TOWN ENGINEER _____ DATE _____

_____ TOWN SUPERVISOR'S OFFICE _____ DATE _____
(VERIFICATION OF NO OUTSTANDING/UNPAID BILLS)

TOWN OF FARMINGTON

1000 County Road #8
Farmington, NY 14425

APPENDIX: **G - 4.0**

DATE: 2025

SCALE: N.T.S.



INSPECTION FORM

DATE OF FORM _____

PB# ____ - ____

RE: _____

(PROJECT NAME)

FINAL INSPECTION

EXPIRING SURETY

DATE SURETY EXPIRES: _____

SURETY NUMBER: _____

ATTACH EXPIRATION NOTICE FROM TOWN CLERK

IN ACCORDANCE WITH THE PROVISIONS OF PLANNING BOARD APPROVAL, AS AMENDED, A FINAL INSPECTION OF THE ABOVE REFERENCED PROJECT HAS BEEN COMPLETED FOR THE DEDICATED SITE IMPROVEMENTS COVERED BY THE ABOVE CITED SURETY THAT ARE LISTED BELOW.

PUBLIC STREET(S) IDENTIFIED AS _____

PUBLIC WATERMAIN(S) AND APPURTENANCES

PUBLIC SANITARY SEWER LINE(S) AND/OR PUMP STATIONS

STORM SEWERS STORMWATER MANAGEMENT FACILITIES

SIDEWALKS (INCLUDE LOCATION) _____

STREET LIGHTS (INCLUDE LOCATION) _____

STREET SIGNS (INCLUDE LOCATION) _____

OTHER (SPECIFY) _____

INSPECTION RESULTS

NO DEFICIENCIES WERE FOUND DURING THIS INSPECTION AND IT IS RECOMMENDED THAT THE TOWN BOARD ALLOWS THE SURETY TO EXPIRE.

DEFICIENCIES WERE FOUND DURING THIS INSPECTION (SEE ATTACHED NOTES AND/OR PICTURES) AND IT IS RECOMMENDED THAT THE TOWN BOARD DIRECT THESE DEFICIENCIES TO BE CORRECTED WITHIN THE NEXT THIRTY (30) DAYS OR REQUIRE THAT THERE BE A ONE YEAR EXTENSION TO THE SURETY.

IN ACCORDANCE WITH THE PROVISIONS OF §144-33.D (SURETY RELEASE PROCESS) OF THE TOWN CODE, THE TOWN OFFICIALS LISTED BELOW, AS MAY BE APPROPRIATE, HAVE COMPLETED AN INSPECTION OF THE ABOVE REFERENCED PROJECT AND AGREE TO THE RECOMMENDED ACTION IDENTIFIED ON THIS FORM:

N/A

CONSTRUCTION INSPECTOR

DATE

HIGHWAY SUPERINTENDENT

DATE

WATER & SEWER SUPERINTENDENT

DATE

TOWN ENGINEER

DATE

TOWN SUPERVISOR'S OFFICE
(VERIFICATION OF NO OUTSTANDING/UNPAID BILLS)

DATE

TOWN OF FARMINGTON

1000 County Road #8
Farmington, NY 14425

APPENDIX: **G - 5.0**

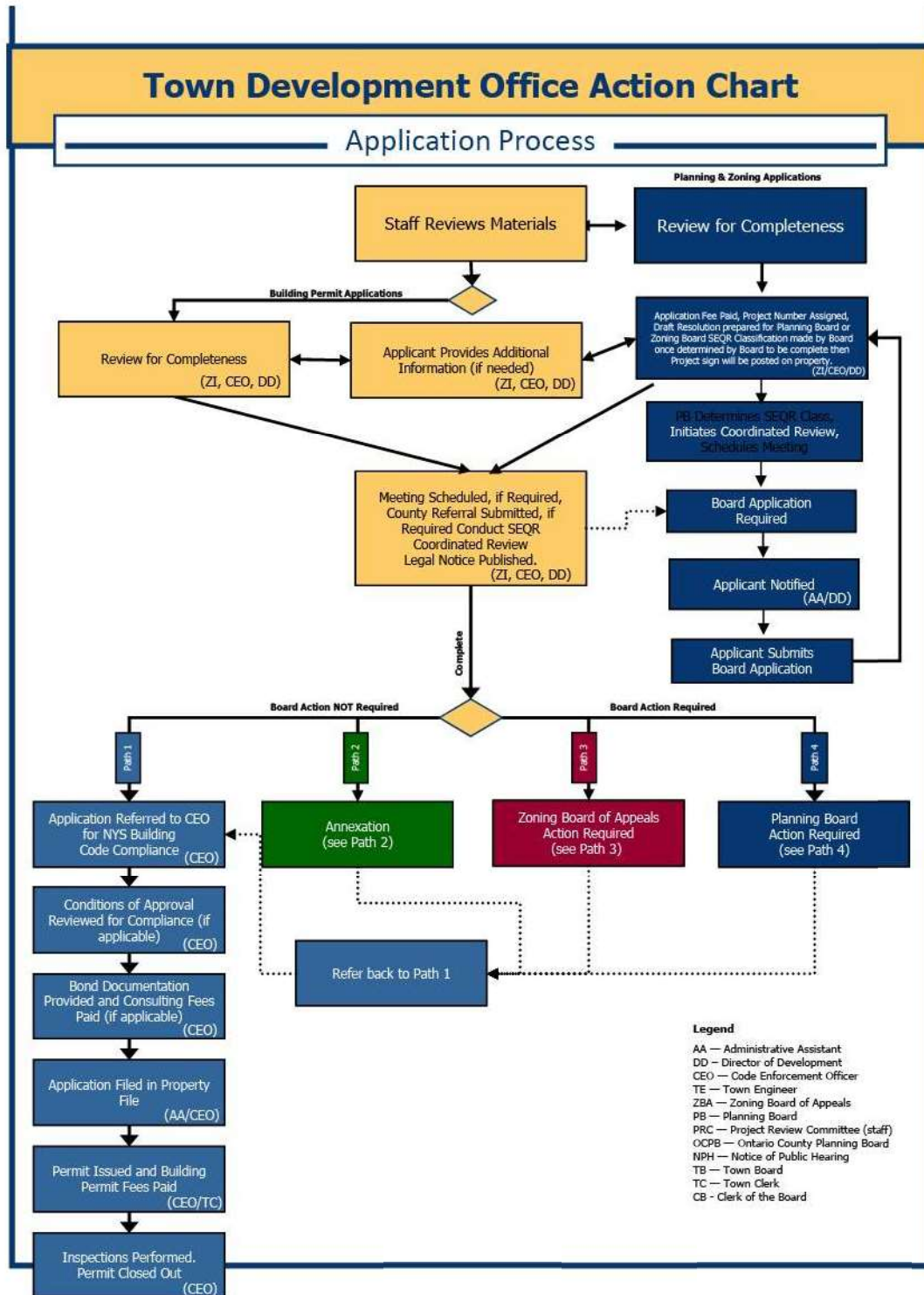
DATE: 2025

SCALE: N.T.S.



Town Development Office Action Chart

Application Process



- Legend**
- AA — Administrative Assistant
 - DD — Director of Development
 - CEO — Code Enforcement Officer
 - TE — Town Engineer
 - ZBA — Zoning Board of Appeals
 - PB — Planning Board
 - PRC — Project Review Committee (staff)
 - OCPB — Ontario County Planning Board
 - NPH — Notice of Public Hearing
 - TB — Town Board
 - TC — Town Clerk
 - CB - Clerk of the Board

TOWN DEVELOPMENT OFFICE ACTION CHART

TOWN OF FARMINGTON

1000 County Road #8
Farmington, NY 14425

APPENDIX: **G - 5.1**

DATE: 2025

SCALE: N.T.S.



Town Development Office Action Chart

Annexation (Path 2)

Re-Subdivision and Lot Line Adjustments

Application & Drawing Submitted
(ZI, CEO, DD)

Application determined either Re-subdivision
or lot line adjustment
(ZI, CEO, DD)

Lot Line Adjustment Application(s)
Waive Normal Subdivision Procedure
(PB Chair, ZI, CEO, DD)

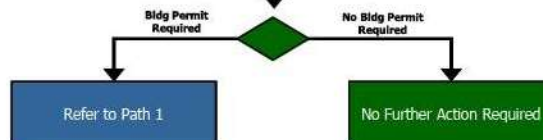
Sign Drawing & File
(PB Chair, CEO, Applicant)

Re-Subdivision Application
Follow Path 4

County Clerk Recording & Notice of Filing
(CEO & DD)

NOTE

Per § 144-38, for a resubdivision that involves the simple alteration of lot lines not involving a filed subdivision plat map and where one party owns two contiguous parcels and no additional lots would be created, then normal subdivision procedures may be waived at the written discretion of the Planning Board Chairperson. A statement indicating such shall be part of the Board's record on the combining of two contiguous parcels. Public notification of the proposed division (i.e., lot-line adjustment) shall be shown in the deeds and in the minutes of the Planning Board. Tax numbers shall be reassigned to the new legal descriptions



TOWN OF FARMINGTON

1000 County Road #8
Farmington, NY 14425

APPENDIX: **G - 5.2**

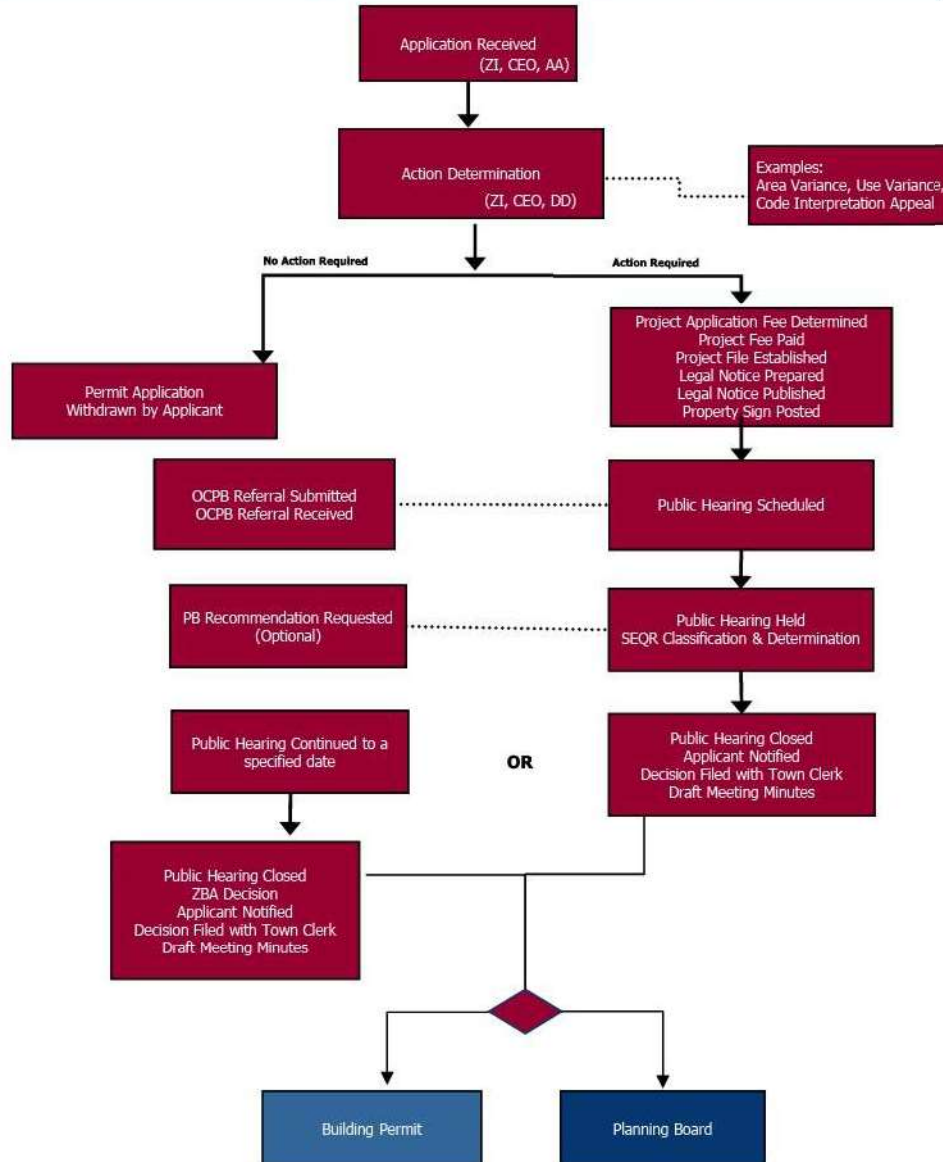
DATE: 2025

SCALE: N.T.S.



Town Development Office Action Chart

Zoning Board of Appeals (Path 3)



TOWN DEVELOPMENT OFFICE ACTION CHART

(CONTINUED)

TOWN OF FARMINGTON

1000 County Road #8
Farmington, NY 14425

APPENDIX: **G - 5.3**

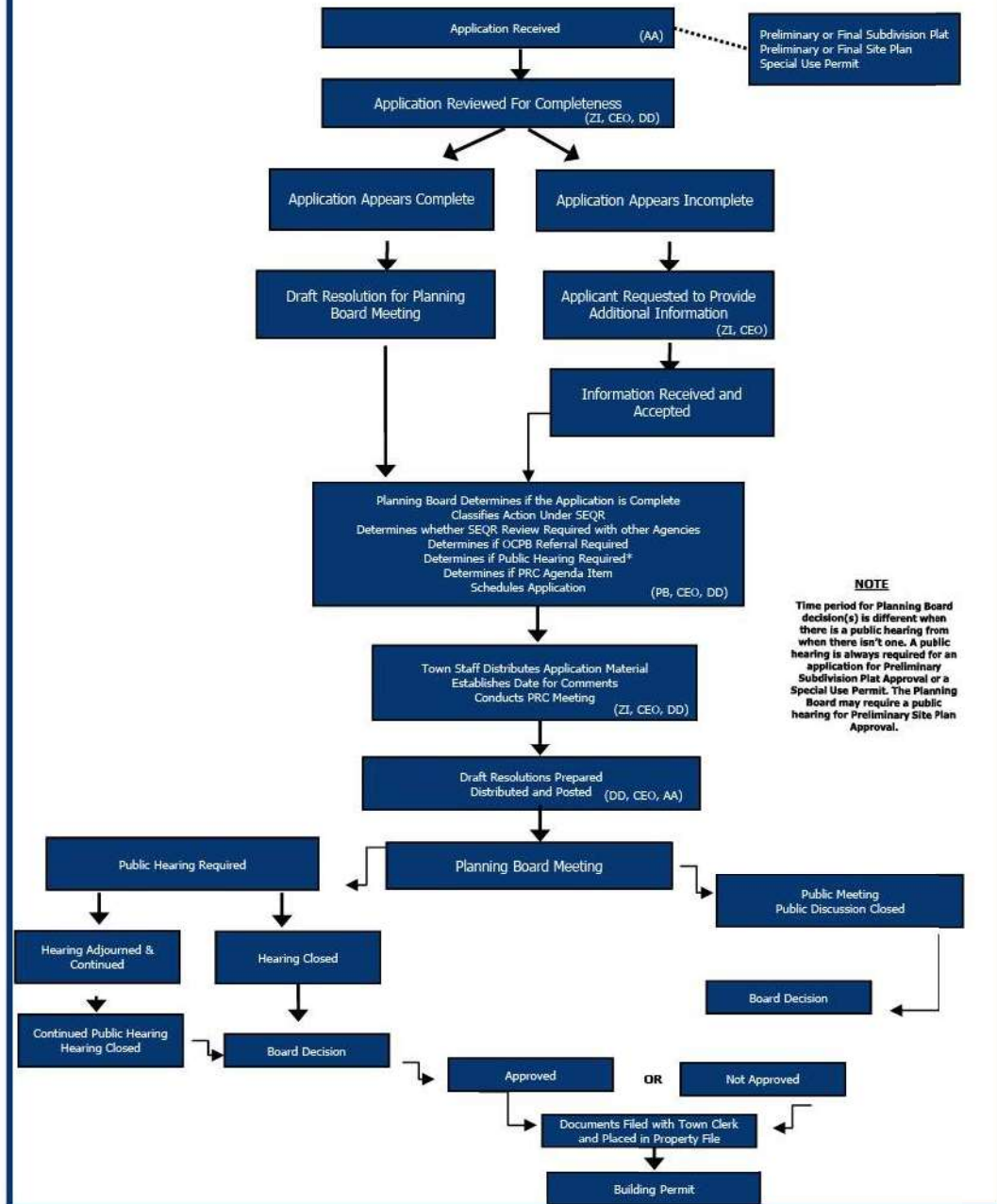
DATE: 2025

SCALE: N.T.S.



Town Development Office Action Chart

Planning Board (Path 4)



TOWN DEVELOPMENT OFFICE ACTION CHART

(CONTINUED)

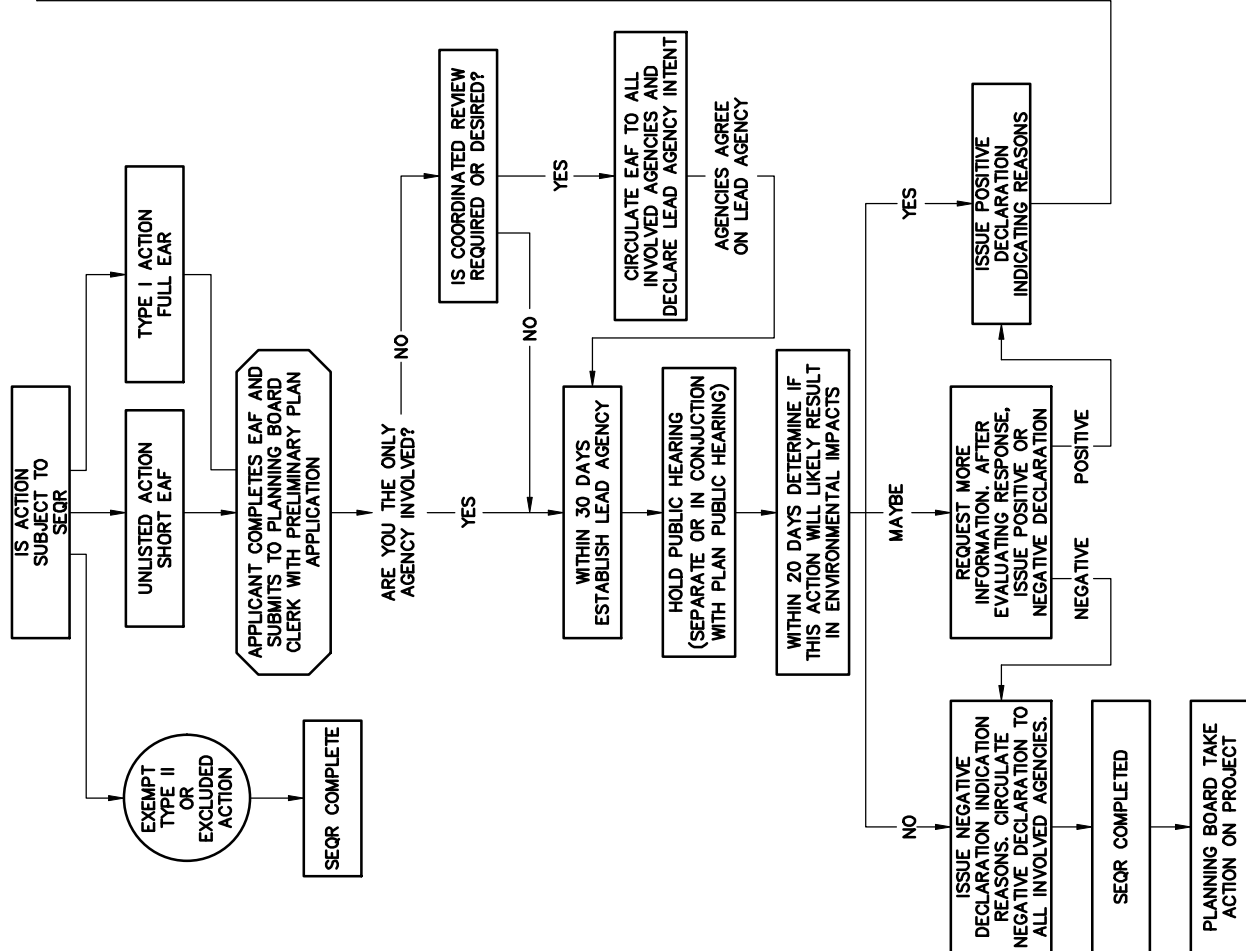
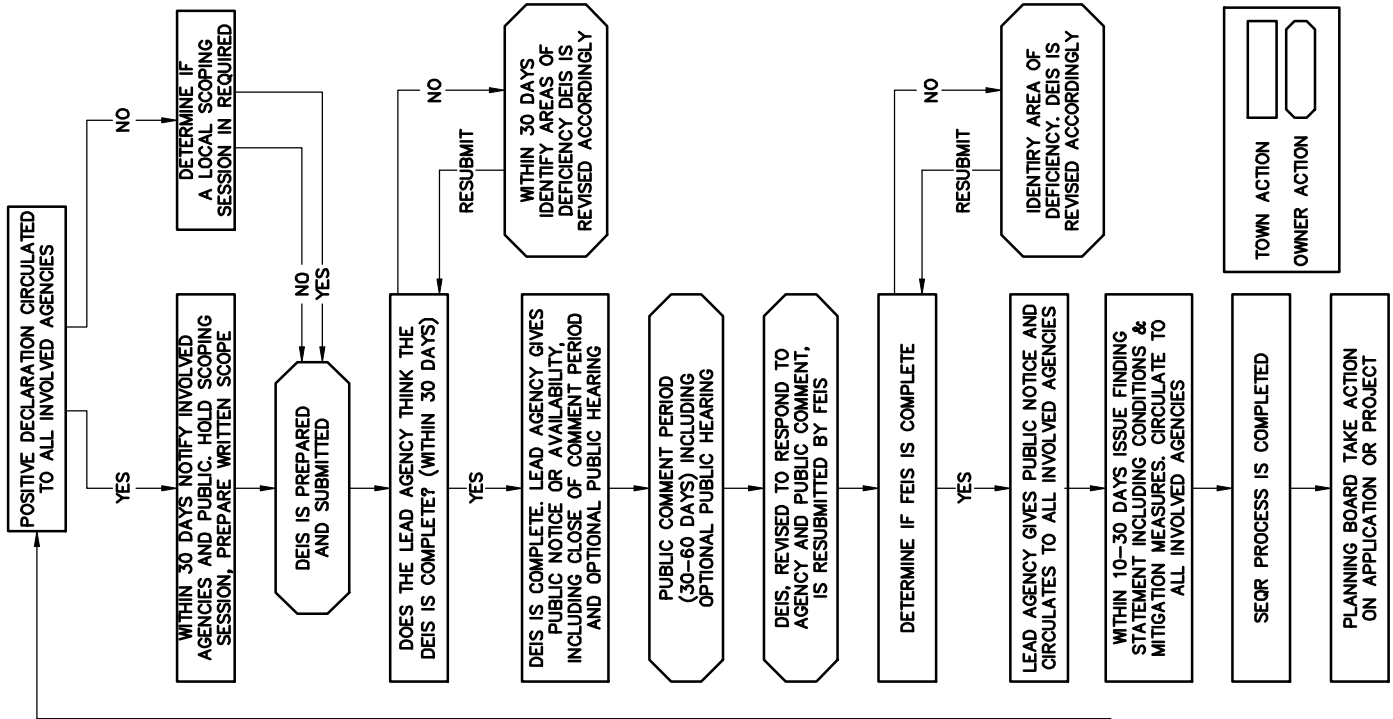
TOWN OF FARMINGTON

1000 County Road #8
Farmington, NY 14425

APPENDIX: **G - 6.0**

DATE: 2025

SCALE: N.T.S.



SEQR BASIC FLOW CHART

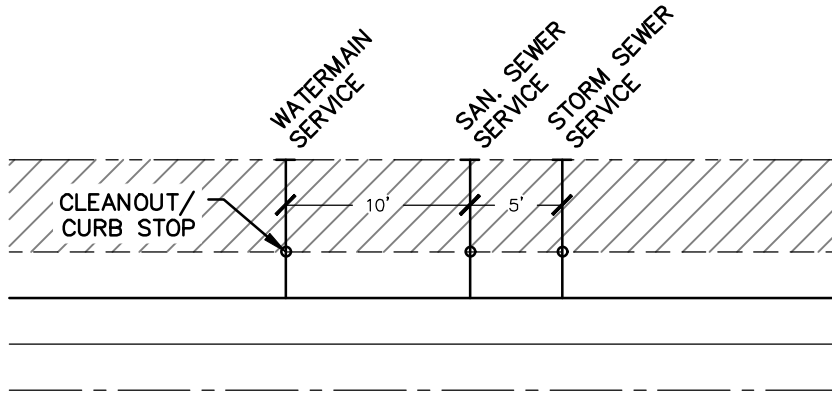
TOWN OF FARMINGTON

1000 County Road #8
Farmington, NY 14425

APPENDIX: **G - 7.0**

DATE: 2025

SCALE: N.T.S.



UTILITIES EASEMENT
(GAS, ELEC, ETC.)

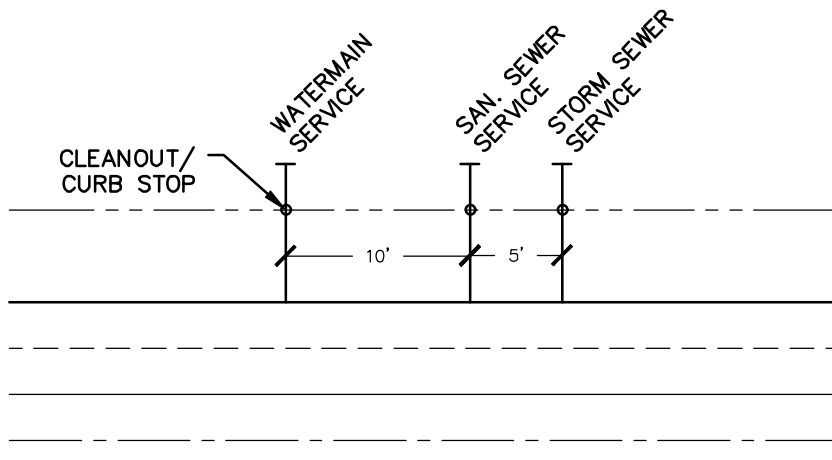
R.O.W.

UTILITY (WATER/SEWER/STORM)

EDGE OF ROAD

CL ROAD

INSIDE R.O.W.



WATER/SEWER/STORM EASEMENT

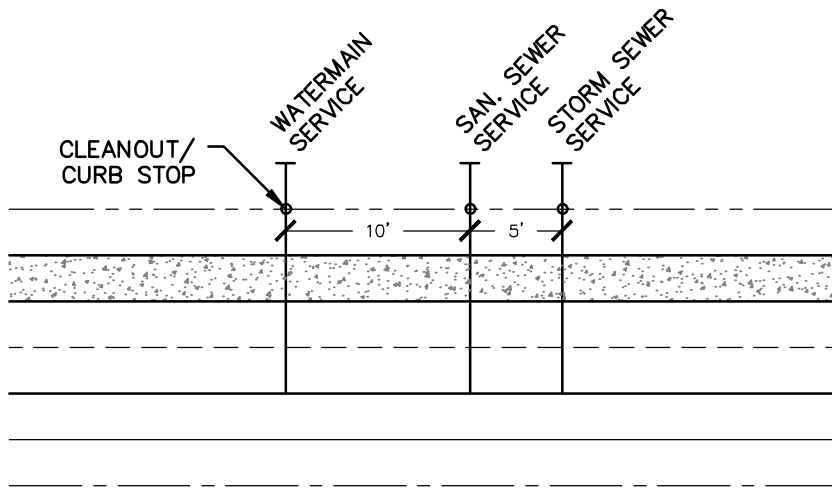
WATER/SEWER/STORM

R.O.W.

EDGE OF ROAD

CL ROAD

OUTSIDE R.O.W.



SIDEWALK EASEMENT (VARIES)

SIDEWALK

R.O.W.

WATER/SEWER/STORM

EDGE OF ROAD

CL ROAD

SIDEWALK

TYPICAL SERVICE DETAIL

TOWN OF
FARMINGTON

1000 County Road #8
Farmington, NY 14425

APPENDIX: **G - 8.0**

DATE: 2025

SCALE: N.T.S.



!! CALL !!

**BEFORE YOU
DIG, DRILL OR BLAST**

1-800-962-7962 or 811

IN ACCORDANCE WITH UDIG NY,
CONTRACTORS MUST PLACE A LOCATION REQUEST AND NOTIFY
ALL UTILITIES IN THE AREA AT LEAST TWO (2) FULL WORKING
DAYS BUT NOT MORE THAN TEN (10) DAYS BEFORE ANY
EXCAVATION OR DEMOLITION STARTS.

THIS WILL NOTIFY:

- WAYNE COUNTY WATER AUTHORITY
- MONROE COUNTY WATER AUTHORITY
- GLOBAL CROSSING / FRONTIER
- ALLTELL - MANCHESTER-SHORTSVILLE TELEPHONE
- TELERGY FIBEROPTIC
- MCI
- AMERICAN TELEPHONE AND TELEGRAPH
- BUCKEYE PIPELINE COMPANY
- ROCHESTER GAS AND ELECTRIC CORPORATION
- NIAGRA MOHAWK (NIMO) ELECTRIC
- MOBILE OIL
- TENECO
- NEW YORK TELEPHONE
- NEW YORK STATE ELECTRIC AND GAS
- EMPIRE STATE PIPELINE
- TENNESSEE PIPELINE COMPANY
- CANANDAIGUA-FARMINGTON WATER AND SEWER DEPARTMENT

IN ADDITION, THE CONTRACTOR SHALL NOTIFY THE MUNICIPAL
SEWER AND WATER DEPARTMENTS SERVING THE PROJECT SITE.

UTILITY NOTIFICATIONS

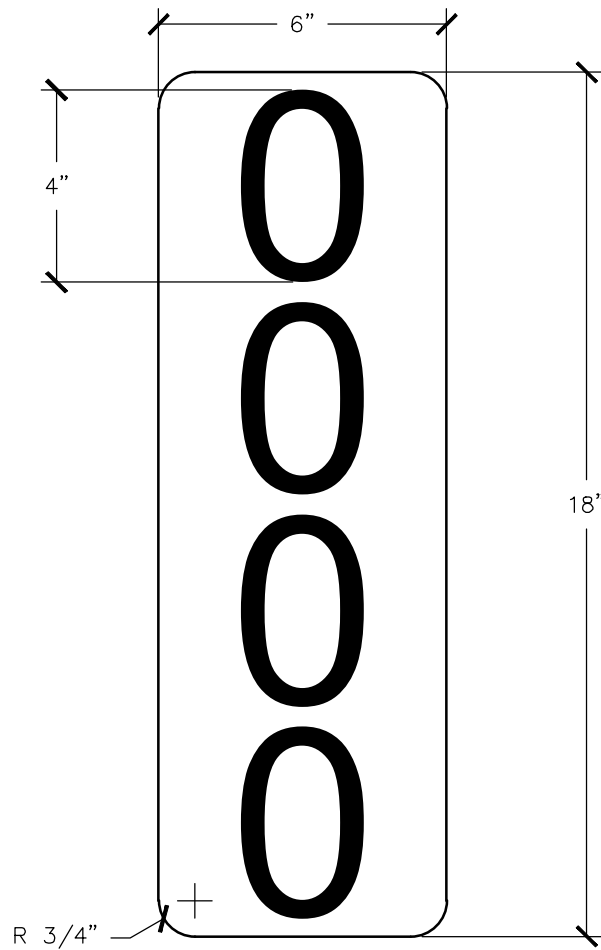
TOWN OF FARMINGTON

1000 County Road #8
Farmington, NY 14425

APPENDIX: **G - 9.0**

DATE: 2025

SCALE: N.T.S.



NOTES:

1. ALL SIGNS TO BE DOUBLE SIDED AND SHALL DISPLAY THE STREET NUMBER OF THE SITE/BUILDING ADDRESS.
2. SIGNS SHALL BE ALUMINUM WITH 3M DIAMOND GRADE REFLECTIVE SHEETING.
3. SIGNS SHALL HAVE A GREEN BACKGROUND WITH WHITE TEXT.
4. MINIMUM TEXT STROKE WIDTH SHALL BE 1/2"
5. SIGN SHALL BE PLACED WITHIN 10' OF THE ROADWAY AND DRIVEWAY ENTRANCE, SHALL BE VISIBLE FROM EACH DIRECTION OF TRAVEL, AND THE BOTTOM OF THE SIGN SHALL BE NO LESS THAN 5' ABOVE GRADE.

PUBLIC SAFETY SIGN DETAIL

TOWN OF
FARMINGTON

1000 County Road #8
Farmington, NY 14425

APPENDIX: **G - 10.0**

DATE: 2025

SCALE: N.T.S.



PRE-CONSTRUCTION CHECKLIST FORM

RE: _____ PB# _____ - _____
(PROJECT NAME)

PRIOR TO THE TOWN DEVELOPMENT OFFICE / CEO SCHEDULING A PRE-CONSTRUCTION MEETING FOR THIS APPLICATION, THE APPLICANT IS REQUIRED TO ENSURE ALL ITEMS BELOW HAVE BEEN COMPLETED AND FILED WITH THE TOWN DEVELOPMENT OFFICE AND TOWN CLERK.

- FINAL SUBDIVISION SITE PLANS APPROVED AND SIGNED, COPIES AND PDF OF SIGNED PLANS AND SWPPP PROVIDED TO THE TOWN AND TOWN ENGINEER: DATE SIGNED _____.
- FINAL SWPPP APPROVED AND MS4 ACCEPTANCE FORM SIGNED BY TOWN MS4 OFFICIAL: DATE SIGNED _____.
- NOI AND MS4 SWPPP ACCEPTANCE FORM SUBMITTED TO NYSDEC. NYSDEC ACKNOWLEDGEMENT LETTER PROVIDED TO TOWN DEVELOPMENT OFFICE: DATE _____.
- TOWN OF FARMINGTON 5-ACRE WAIVER REQUESTED AND FORM COMPLETED. SUBMITTED TO TOWN DEVELOPMENT OFFICE AND MS4 OFFICIAL AND APPROVED. DATE _____.
- TOWN OF FARMINGTON STORMWATER MAINTENANCE AGREEMENT COMPLETED AND FORWARDED TO TOWN DEVELOPMENT OFFICE / CEO, TOWN CONSTRUCTION INSPECTOR, AND TOWN ENGINEER: DATE _____.
- THE EASEMENT PACKAGE AS OUTLINED WITHIN THE TOWN OF FARMINGTON SITE DESIGN AND DEVELOPMENT CRITERIA MANUAL (SECTION 5.07) PROVIDED TO THE TOWN CONSTRUCTION INSPECTOR FOR REVIEW OF COMPLETENESS AND WAS FORWARDED TO THE TOWN ATTORNEY FOR REVIEW AND APPROVAL
- ALL AGENCY APPROVALS AND/OR PERMITS REQUIRED HAVE BEEN FORWARDED TO THE TOWN DEVELOPMENT OFFICE.

A SURETY ESTIMATE WAS APPROVED BY THE CONSTRUCTION INSPECTOR AND TOWN ENGINEER AND FORWARDED TO THE TOWN FOR PROCESSING. THE ESTIMATE WAS RECOMMENDED AT THE _____ PLANNING BOARD MEETING AND APPROVED AT THE _____ TOWN BOARD MEETING. THE SURETY WAS PROVIDED TO THE TOWN CLERK ON _____.

IMPROVEMENTS TO BE COMPLETED BY _____

APPLICANT

DATE

TOWN DEVELOPMENT OFFICE / CEO

DATE

PRE-CONSTRUCTION MEETING SCHEDULED FOR _____

TOWN OF
FARMINGTON

1000 County Road #8
Farmington, NY 14425

APPENDIX: **G - 11.0**

DATE: 2025

SCALE: N.T.S.



GRADING PERMIT CHECKLIST FORM

RE: _____ PB# _____ - _____
(PROJECT NAME)

PRIOR TO THE TOWN DEVELOPMENT OFFICE / CEO ISSUING A GRADING PERMIT FOR THIS APPLICATION, THE APPLICANT IS REQUIRED TO ENSURE ALL ITEMS BELOW HAVE BEEN COMPLETED AND FILED WITH THE TOWN DEVELOPMENT OFFICE AND TOWN CLERK. ONCE ALL OF THE ITEMS BELOW HAVE BEEN COMPLETED, A GRADING PRE-CONSTRUCTION MEETING WILL BE SCHEDULED. THE GRADING PERMIT WILL ONLY BE ISSUED AFTER THE GRADING PRE-CONSTRUCTION MEETING OCCURS.

- A COVER LETTER REQUESTING A GRADING PERMIT FROM THE TOWN HAS BEEN PROVIDED.
- A GRADING PLAN, AND EROSION AND SEDIMENT CONTROL PLAN SPECIFIC TO THE WORK TO BE PERFORMED UNDER THE GRADING PERMIT, HAS BEEN APPROVED BY THE TOWN _____
(ENTITY)
- A SITE-SPECIFIC SEQUENCE OF CONSTRUCTION HAS BEEN PROVIDED FOR ALL WORK TO BE PERFORMED UNDER THE GRADING PERMIT. THIS MAY BE SHOWN ON THE GRADING PLANS, EROSION AND SEDIMENT CONTROL PLANS, OR PROVIDED AS A SEPARATE SUBMITTAL.
- AN EARTHWORK LETTER OF CREDIT OR OTHER SURETY IN A FORM ACCEPTABLE TO THE TOWN HAS BEEN REVIEWED BY THE TOWN ENGINEER AND TOWN CONSTRUCTION INSPECTOR, A LETTER OF RECOMMENDATION HAS BEEN PROVIDED BY THE TOWN ENGINEER, AND WAS APPROVED BY THE TOWN BOARD ON _____
- GRADING SWPPP, OR FINAL SWPPP, HAS BEEN APPROVED BY THE TOWN ENGINEER AND A LETTER OF SWPPP RECOMMENDATION PROVIDED, AND THE MS4 SWPPP ACCEPTANCE FORM SIGNED BY TOWN MS4 OFFICIAL: DATE SIGNED _____
- TOWN OF FARMINGTON 5-ACRE WAIVER REQUESTED AND FORM COMPLETED.
SUBMITTED TO TOWN DEVELOPMENT OFFICE / CEO AND APPROVED: DATE _____
 - N/A, APPROVED PHASING PLAN MAINTAINS SITE UNDER 5 ACRES OF ACTIVE DISTURBANCE
 - N/A, TOTAL DISTURBANCE LESS THAN 5 ACRES
- NOI AND MS4 SWPPP ACCEPTANCE FORM SUBMITTED TO NYSDEC. NYSDEC ACKNOWLEDGEMENT LETTER PROVIDED TO TOWN DEVELOPMENT OFFICE: DATE _____
- ALL WETLAND, STREAM DISTURBANCE, THREATENED AND ENDANGERED SPECIES, FLOODPLAIN DEVELOPMENT PERMIT, SHPO, AND ANY OTHER SITE DISTURBANCE RELATED APPROVALS AND/OR PERMITS REQUIRED HAVE BEEN FORWARDED TO THE TOWN DEVELOPMENT OFFICE.

APPLICANT

DATE

TOWN DEVELOPMENT OFFICE / CEO

DATE

GRADING PRE-CONSTRUCTION MEETING SCHEDULED FOR: _____

TOWN OF FARMINGTON

1000 County Road #8
Farmington, NY 14425

APPENDIX: **G - 12.0**

DATE: 2025

SCALE: N.T.S.



SIGNATURE BLOCK

SIGNATURE BLOCK

PROJECT NO. TOT	PROJECT NAME	MRB group <small>Engineering, Architecture & Interiors, P.C. 1000 County Road #8, Farmington, NY 14425 Phone: 518-524-1811 Fax: 518-524-1822 www.mrbgroup.com</small>	Drawn By:	Project Title:					
			Checked By:	Scale:	Date:	Drawing Title:	Rev.	Revisions and Descriptions	By
					LINE 1 LINE 2 LINE 3				
			DATE						

NOTES:

1. SIGNATURE LINES SHALL BE LOCATED IN ONE OF THE TWO LOCATIONS SHOWN ABOVE.
2. THE LOCATION OF THE SIGNATURE LINES SHALL BE CONSISTENT WITHIN THE PLAN SET.

SIGNATURE LINE LOCATIONS

TOWN OF
FARMINGTON

1000 County Road #8
Farmington, NY 14425

APPENDIX: **G - 13.0**

DATE: 2025

SCALE: N.T.S.



REQUIRED CONSTRUCTION INSPECTIONS LIST

PROJECT NAME: _____ PB# _____ - _____

THE TOWN OF FARMINGTON REQUIRES INSPECTION BE PERFORMED BY THE TOWN DURING THE INSTALLATION OF / COMPLETION OF THE FOLLOWING ITEMS/TASKS:

- WATERMAIN, SANITARY MAIN, AND STORM MAIN INSTALLATION
- WATER SERVICE, SANITARY LATERAL, AND STORM LATERAL INSTALLATION
- ROAD SUBGRADE PROOF-ROLL INSPECTION, AND ROAD WEEP INSTALLATION
- ROAD SUBBASE PROOF-ROLL INSPECTION
- GUTTER INSTALLATION (DURING PLACEMENT)
- SIDEWALK INSTALLATION (FORMS AND PLACEMENT)
- FINAL ROAD GRADE INSPECTION (PRIOR TO PAVING)
- ASPHALT BINDER COURSE, AND ASPHALT TOP COURSE INSTALLATION
- WATERMAIN PRESSURE TESTING
- SANITARY MAIN PRESSURE TESTING / MANDREL TESTING, AND MANHOLE VACUUM TESTING
- SANITARY MANHOLE WORK (INVERTS, BENCH WALLS, EPOXY, TAR SEAL, RIM GRADE)
- STORM MANHOLE WORK (INVERTS, BENCH WALLS, TAR SEAL, RIM GRADE)
- OTHERS AS REQUIRED BY THE TOWN

CONSTRUCTION INSPECTOR

DATE

NOTE: ADDITIONAL INSPECTIONS MAY BE REQUIRED PRIOR TO CLOSE-OUT OF PROJECT AND/OR RELEASE OF SURETY

LIST OF APPENDICES

HIGHWAY DETAILS

H – 1.0	Town Collector – Typical Road & Pavement Cross Sections
H – 1.1	Local / Subdivision – Typical Road & Pavement Cross Sections
H – 1.2	Commercial/Industrial – Typical Road & Pavement Cross Sections
H – 1.3	Non-Dedicated Private Drive - Typical Road & Pavement Cross Sections
H – 1.4	Utility Service Road – Typical Road & Pavement Cross Sections
H – 1.5	Maintenance Access Road – Typical Road & Pavement Cross Sections
H – 2.0	Stabilized Shoulder Section (Commercial / Industrial)
H – 3.0	Typical Driveway Apron Detail
H – 4.0	Typical Driveway Culvert Detail
H – 5.0	Concrete Gutter Detail
H – 6.0	Sidewalk Detail
H – 7.0	Cul-De-Sac Plan
H – 7.1	Offset Cul-De-Sac Plan
H – 8.0	Hammer Head Turn Around
H – 9.0	Monument
H – 10.0	Typical Tree/Shrub Planting Detail
H – 11.0	Typical Grading Plan
H – 12.0	Stone Dust Trail
H – 13.0	Streetlight Detail
H – 14.0	Parking Lot Double Stripe
H – 15.0	Stabilized Construction Entrance
H – 16.0	Crosswalk Detail

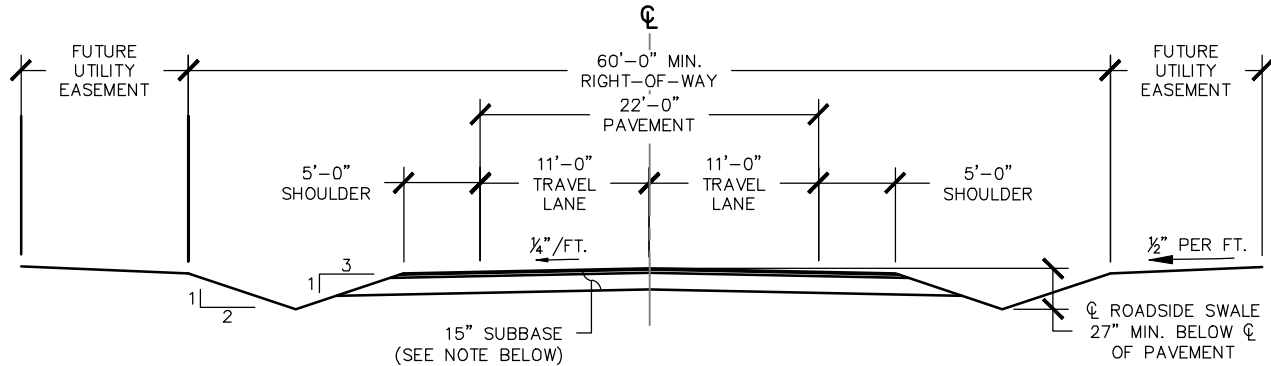
TOWN OF FARMINGTON

1000 County Road #8
Farmington, NY 14425

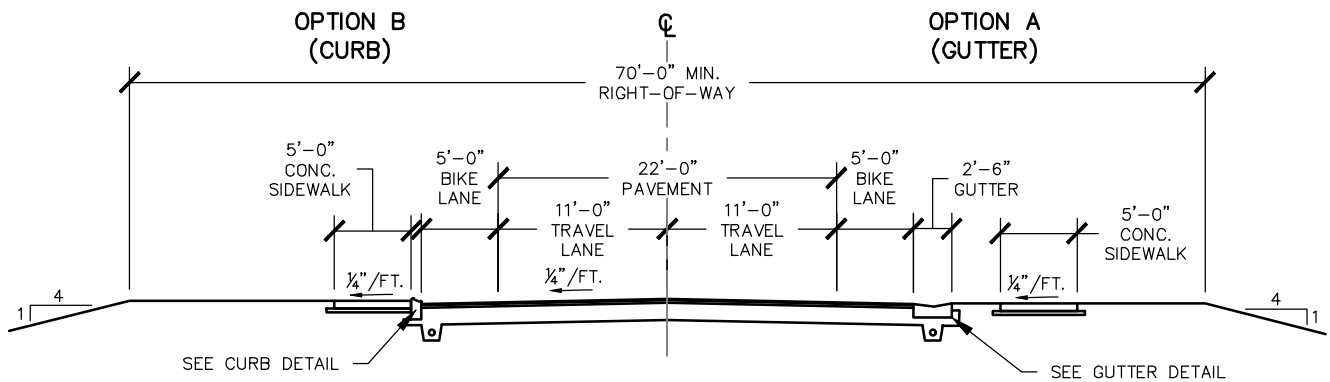
APPENDIX: **H - 1.0**

DATE: 2025

SCALE: N.T.S.

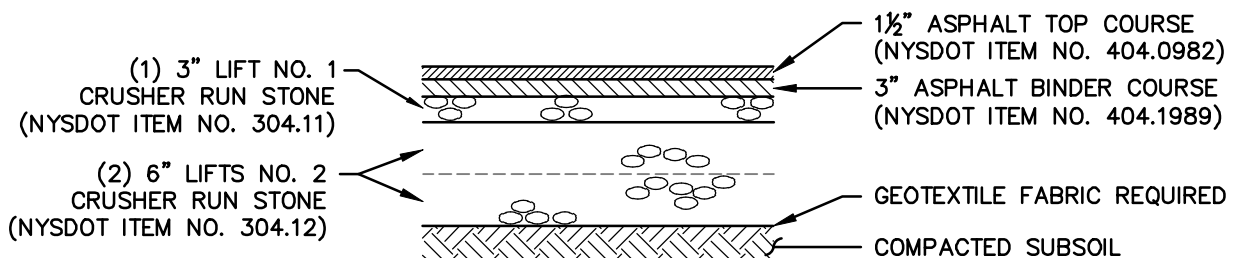


TYPICAL SECTION



COMPLETE STREET TYPICAL SECTION

NOTE: SUBBASE EXTENDED OUT TO SWALE BY EITHER STONE WEEPS OR UNDERDRAIN AT DISCRETION OF THE HIGHWAY SUPERINTENDENT.



TYPICAL PAVEMENT SECTION

TOWN COLLECTOR TYPICAL ROAD & PAVEMENT CROSS SECTIONS

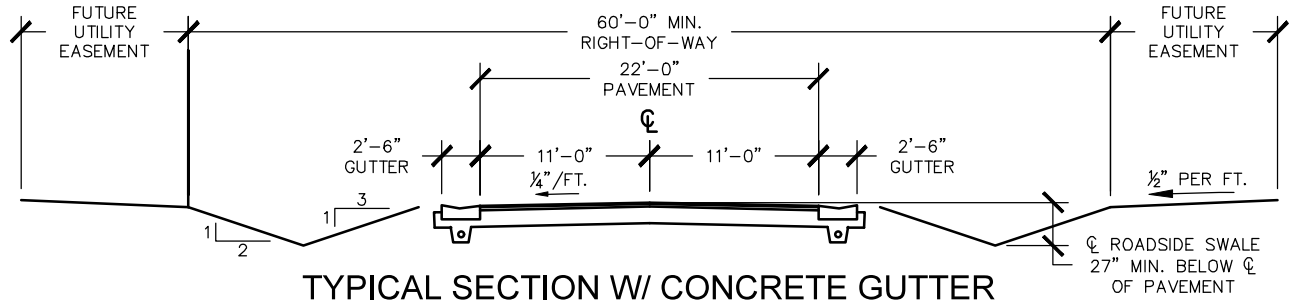
TOWN OF FARMINGTON

1000 County Road #8
Farmington, NY 14425

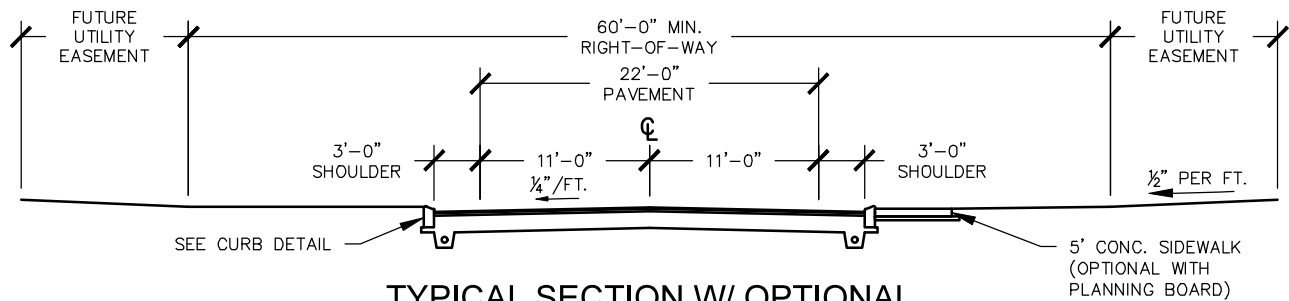
APPENDIX: **H - 1.1**

DATE: 2025

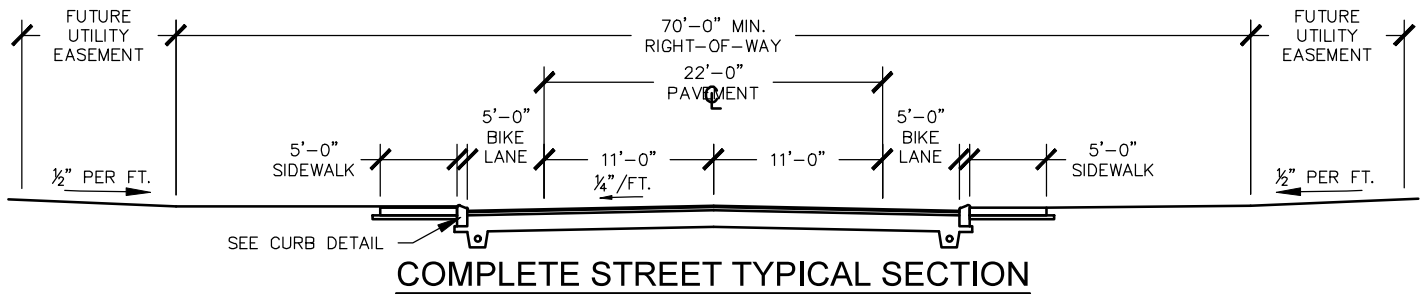
SCALE: N.T.S.



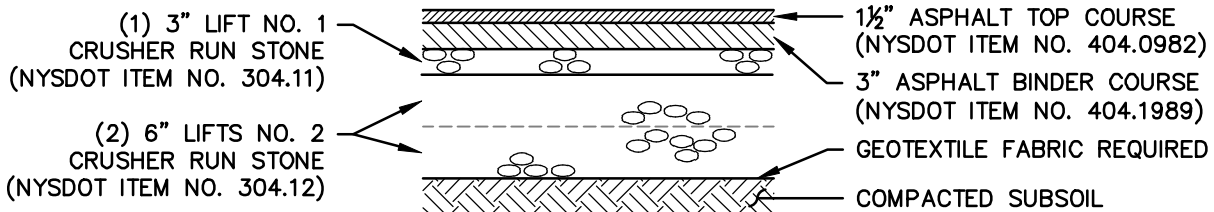
TYPICAL SECTION W/ CONCRETE GUTTER



TYPICAL SECTION W/ OPTIONAL SHOULDER & MOUNTABLE CURB



COMPLETE STREET TYPICAL SECTION



NOTES:

1. ALL DEPTHS DIMENSIONS ARE COMPACTED THICKNESS.
2. PAVEMENT THICKNESS MAY VARY AS REQUIRED BY TOWN ENGINEER AND/OR HIGHWAY SUPERINTENDENT
3. UNDERDRAIN REQUIRED (SEE DETAIL H-6.0)

TYPICAL PAVEMENT SECTION

LOCAL ROAD/SUBDIVISION TYPICAL ROAD & PAVEMENT CROSS SECTIONS

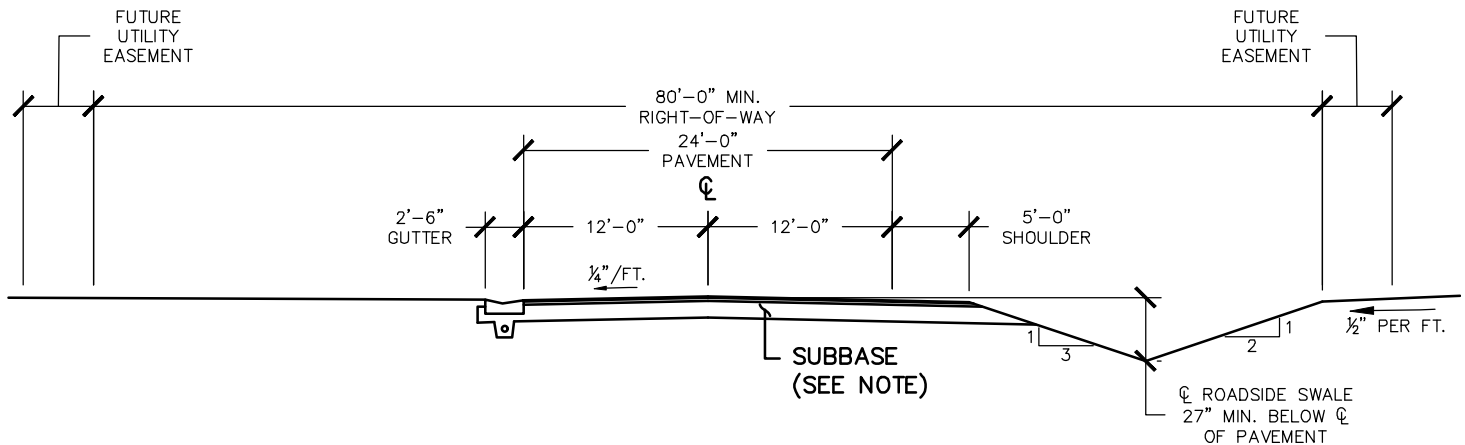
TOWN OF FARMINGTON

1000 County Road #8
Farmington, NY 14425

APPENDIX: **H - 1.2**

DATE: 2025

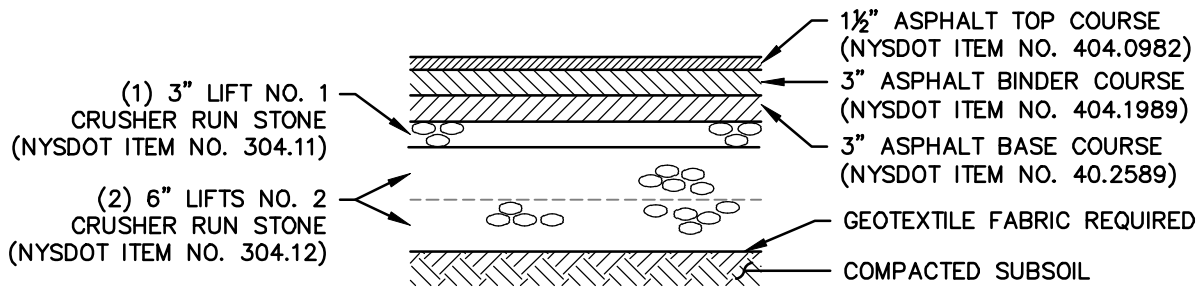
SCALE: N.T.S.



NOTES:

1. SUBBASE EXTENDED OUT TO SWALE BY EITHER STONE WEEPS OR UNDERDRAIN AT DISCRETION OF THE HIGHWAY SUPERINTENDENT.
2. WHERE WATERMAIN HYDRANTS ARE LOCATED ALONG ROAD, DRIVING SURFACE (PAVEMENT AND CONCRETE GUTTERS) WIDTH TO BE 26' MIN. AND EXTEND 20' MIN. IN EACH DIRECTION (40' MIN.)

TYPICAL SECTION



NOTES:

1. ALL DEPTHS DIMENSIONS ARE COMPACTED THICKNESS.
2. PAVEMENT THICKNESS MAY VARY AS REQUIRED BY TOWN ENGINEER AND/OR HIGHWAY SUPERINTENDENT
3. UNDERDRAIN REQUIRED (SEE DETAIL H-6.0)

TYPICAL PAVEMENT SECTION

**COMMERCIAL / INDUSTRIAL
TYPICAL ROAD & PAVEMENT CROSS SECTIONS**

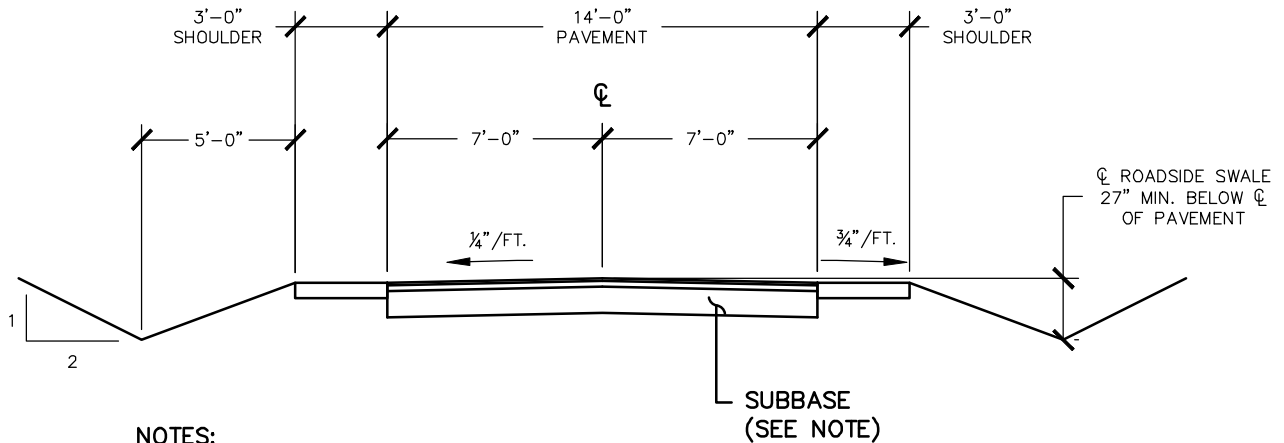
TOWN OF FARMINGTON

1000 County Road #8
Farmington, NY 14425

APPENDIX: **H - 1.3**

DATE: 2025

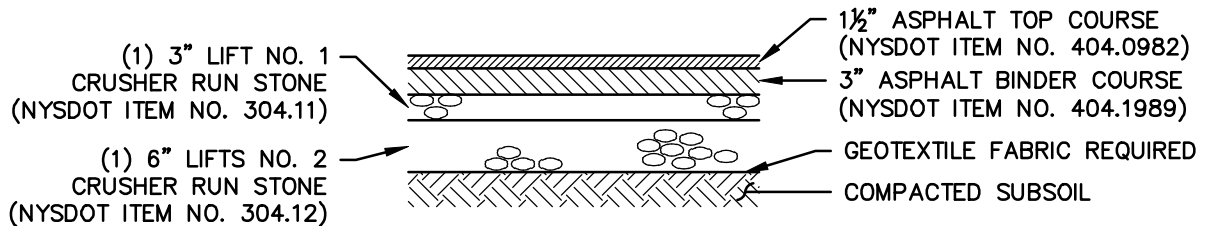
SCALE: N.T.S.



NOTES:

1. WHERE WATERMAIN HYDRANTS ARE LOCATED ALONG ROAD, DRIVING SURFACE (PAVEMENT AND CONCRETE GUTTERS) WIDTH TO BE 26' MIN. AND EXTEND 20' MIN. IN EACH DIRECTION (40' MIN.)

TYPICAL SECTION



NOTES:

1. ALL DEPTHS DIMENSIONS ARE COMPACTED THICKNESS.
2. PAVEMENT THICKNESS MAY VARY AS REQUIRED BY TOWN ENGINEER AND/OR HIGHWAY SUPERINTENDENT

TYPICAL PAVEMENT SECTION

NON-DEDICATED PRIVATE DRIVE TYPICAL ROAD & PAVEMENT CROSS SECTIONS

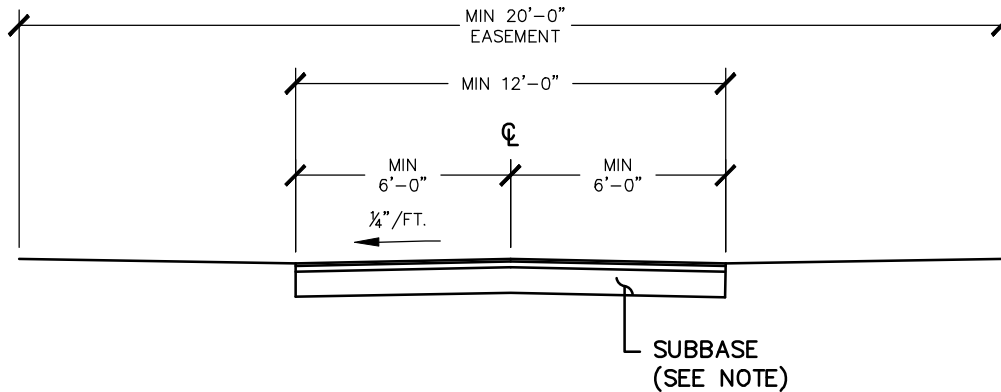
TOWN OF FARMINGTON

1000 County Road #8
Farmington, NY 14425

APPENDIX: **H - 1.4**

DATE: 2025

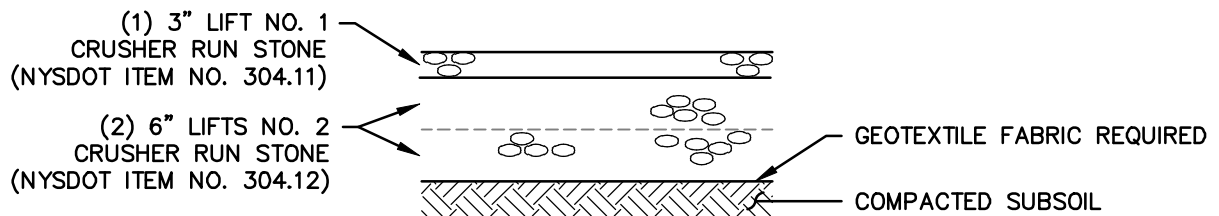
SCALE: N.T.S.



TYPICAL SECTION

NOTES:

1. MAXIMUM SLOPE OF NO MORE THAN 15%
2. APPROPRIATELY STABILIZED TO WITHSTAND MAINTENANCE EQUIPMENT AND VEHICLES.
3. THREE FEET OF CLEARANCE FROM ANY BARRIERS IS REQUIRED FOR EGRESS FROM VEHICLES. BARRIERS INCLUDE HEDGEROWS, FENCES, GUIDE RAILS, ECT.
4. EASEMENT WIDTH BASED ON HIGHWAY SUPERINTENDENT DISCRETION.



TYPICAL PAVEMENT SECTION

UTILITY SERVICE ROAD TYPICAL ROAD & PAVEMENT CROSS SECTIONS

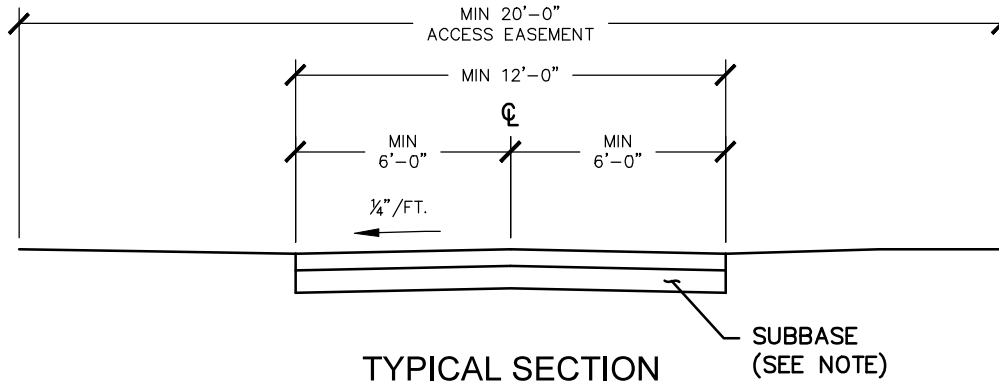
TOWN OF FARMINGTON

1000 County Road #8
Farmington, NY 14425

APPENDIX: **H - 1.5**

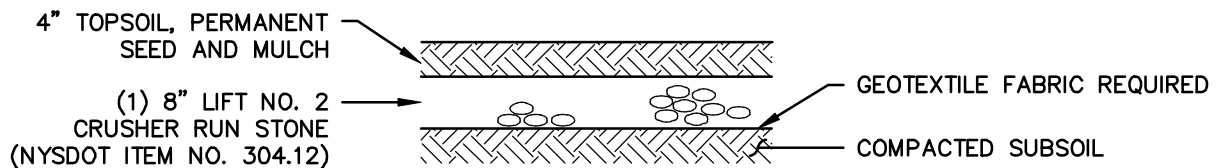
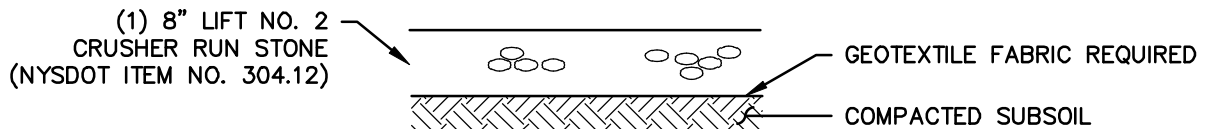
DATE: 2025

SCALE: N.T.S.



NOTES:

1. MAXIMUM SLOPE OF NO MORE THAN 15%
2. APPROPRIATELY STABILIZED TO WITHSTAND MAINTENANCE EQUIPMENT AND VEHICLES.
3. THREE FEET OF CLEARANCE FROM ANY BARRIERS IS REQUIRED FOR EGRESS FROM VEHICLES. BARRIERS INCLUDE HEDGEROWS, FENCES, GUIDE RAILS, ECT.
4. EASEMENT WIDTH BASED ON HIGHWAY SUPERINTENDENT DISCRETION.
5. WHERE PRESENT, SIDEWALK SHALL BE CENTERED OVER THE SUBSURFACE MAINTENANCE ACCESS ROAD.



NOTES:

1. ALL DEPTHS DIMENSIONS ARE COMPACTED THICKNESS.
2. WHERE SIDEWALK IS REQUIRED, SIDEWALK IS TO BE INSTALLED IN THE CENTER OF THE SUBSURFACE ACCESS ROAD.

MAINTENANCE ACCESS ROAD TYPICAL ROAD & PAVEMENT CROSS SECTIONS

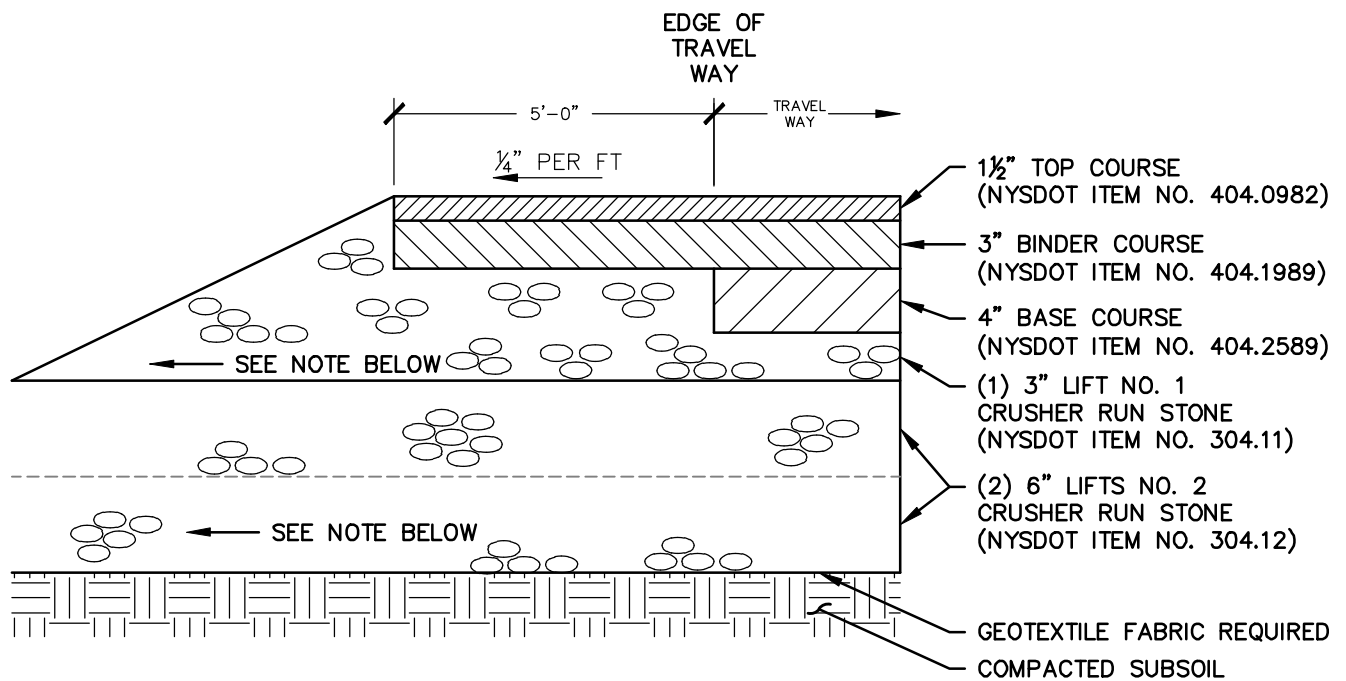
TOWN OF FARMINGTON

1000 County Road #8
Farmington, NY 14425

APPENDIX: **H - 2.0**

DATE: 2025

SCALE: N.T.S.



NOTES:

1. EXTEND SUBBASE TO SWALE PER APPENDICIES H-1.0, H-1.1, H-1.2, H-1.3
2. PROVIDE 4" UNDERDRAIN IF SUBBASE CANNOT DAYLIGHT

STABILIZED SHOULDER
(COMMERCIAL / INDUSTRIAL)

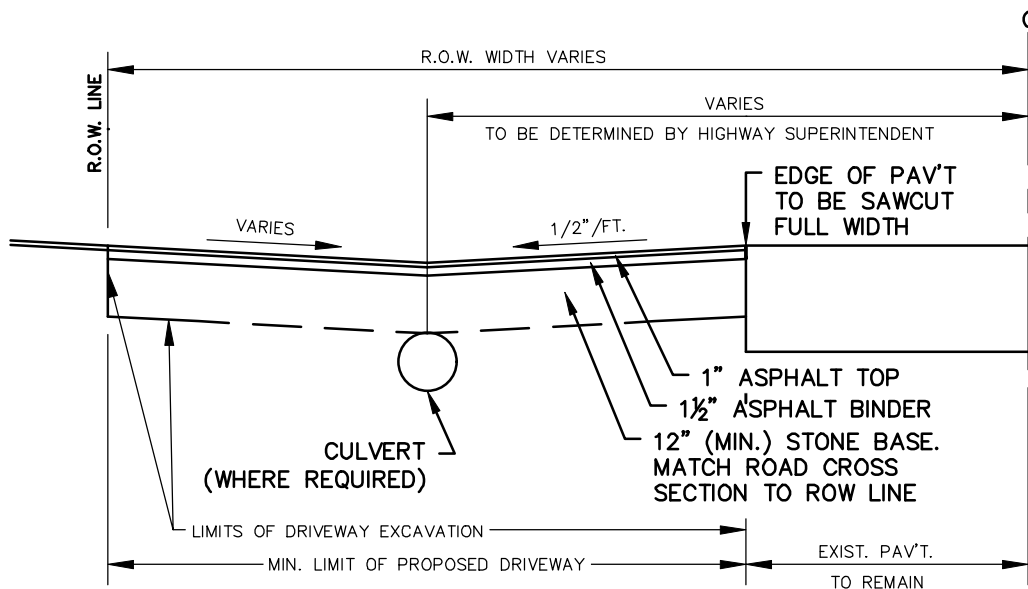
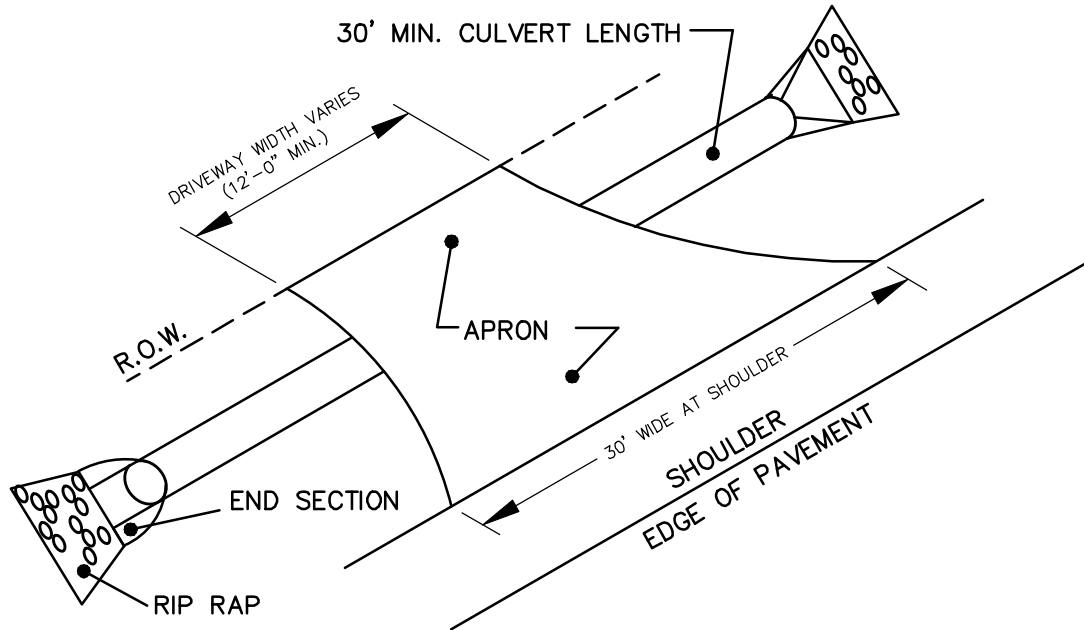
TOWN OF FARMINGTON

1000 County Road #8
Farmington, NY 14425

APPENDIX: **H - 3.0**

DATE: 2025

SCALE: N.T.S.



NOTES:

1. DRIVEWAY(S) OBTAINING ACCESS FROM A TOWN ROAD SHALL BE PAVED A MINIMUM OF TEN (10) FEET FROM THE EDGE OF THE TRAVEL LANE UNLESS OTHERWISE INDICATED BY THE TOWN HIGHWAY SUPERINTENDENT.
2. THE APPLICANT SHALL NOTIFY THE HIGHWAY SUPERINTENDENT AT LEAST 48 HOURS PRIOR TO PERFORMING THE WORK TO SCHEDULE A FIELD INSPECTION.
3. A MAXIMUM 3% LEVELING AREA SHOULD BE PROVIDED FOR THE FIRST 30- FEET FROM THE EDGE OF PAVEMENT.
4. SEE TYPICAL DRIVEWAY CULVERT DETAIL (H-4.0)

TYPICAL DRIVEWAY APRON DETAIL

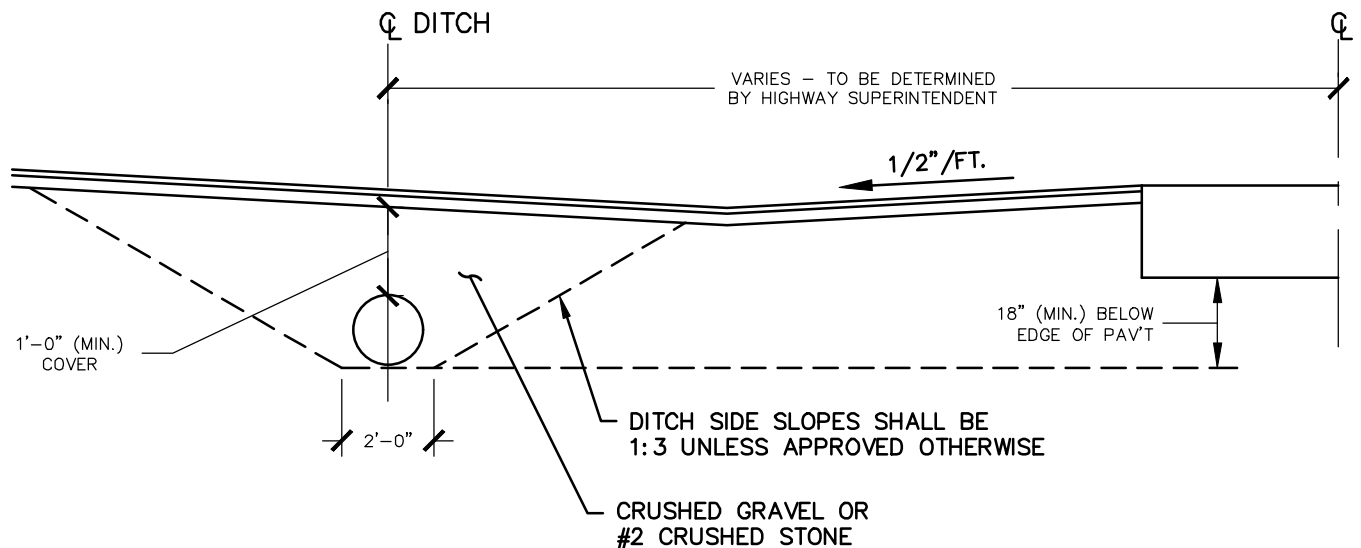
TOWN OF FARMINGTON

1000 County Road #8
Farmington, NY 14425

APPENDIX: **H - 4.0**

DATE: 2025

SCALE: N.T.S.



SECTION VIEW

NOTES:

1. OWNER SHALL FURNISH AND INSTALL THE PROPER PIPE MATERIAL, MINIMUM LENGTH TO EXTEND AT LEAST THREE (3) FEET BEYOND THE OUTER EDGES OF THE NEW PROPOSED DRIVEWAY AT THE DITCH LINE. SIZE OF THE PIPE WILL BE DETERMINED BY THE TOWN OF FARMINGTON.
2. THE NEW PROPOSED DRIVEWAY CULVERT SHALL BE PLACED AT A LINE, GRADE AND OFFSET DETERMINED BY THE EXISTING DITCH LINE, GRADE AND OFFSET OF THE ADJACENT PROPERTIES ON EITHER SIDE OF THE NEW PROPOSED DRIVEWAY TO FLOW PROPERLY IN A MANNER SATISFACTORILY TO THE SUPERINTENDENT OF HIGHWAYS.
3. OWNER SHALL FURNISH AND INSTALL END SECTIONS ON EACH END OF THE NEW PROPOSED DRIVEWAY CULVERT. ENERGY DISSIPATING MATERIAL OR RIP RAP SHOULD BE USED AT EITHER END SECTION AS DIRECTED BY THE HIGHWAY SUPERINTENDENT.
4. THE APPLICANT SHALL NOTIFY THE HIGHWAY SUPERINTENDENT AT LEAST 48 HOURS PRIOR TO PERFORMING THE WORK TO SCHEDULE FIELD INSPECTION.

TYPICAL DRIVEWAY CULVERT DETAIL

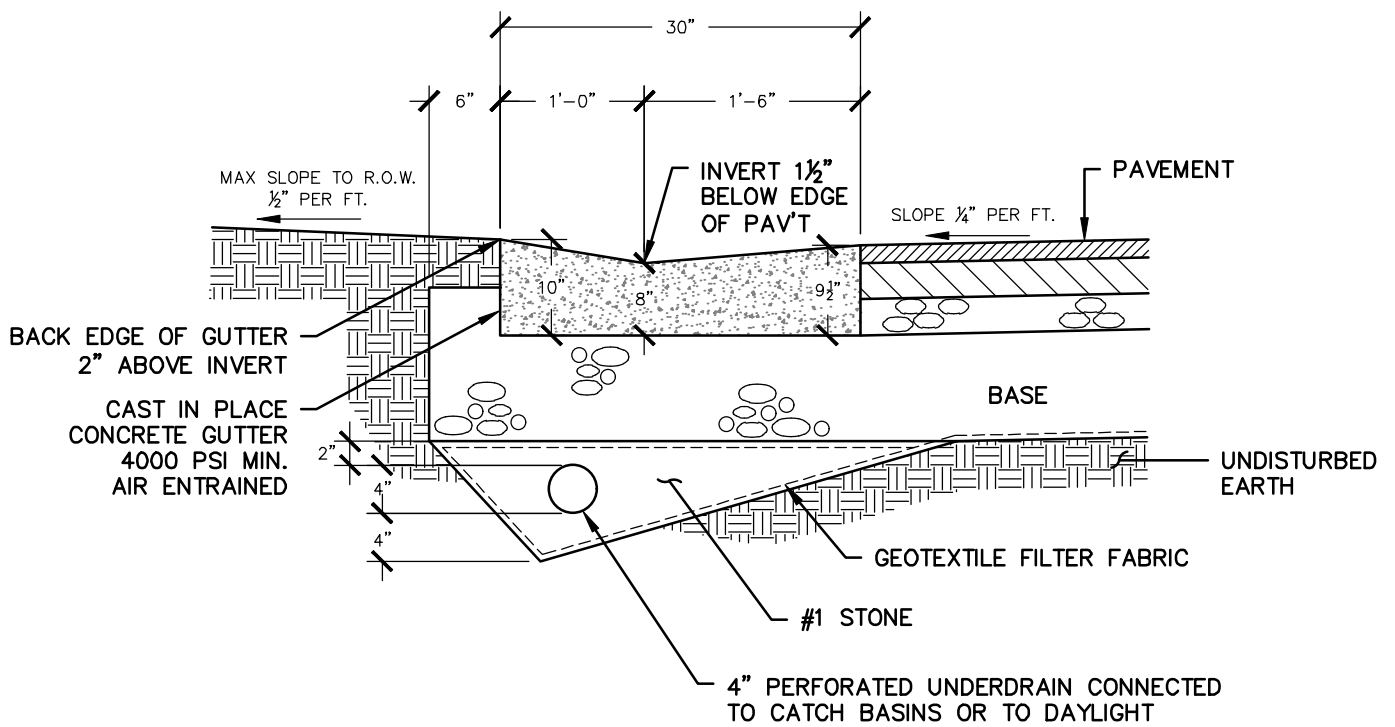
TOWN OF FARMINGTON

1000 County Road #8
Farmington, NY 14425

APPENDIX: **H - 5.0**

DATE: 2025

SCALE: N.T.S.



CONCRETE GUTTER DETAIL

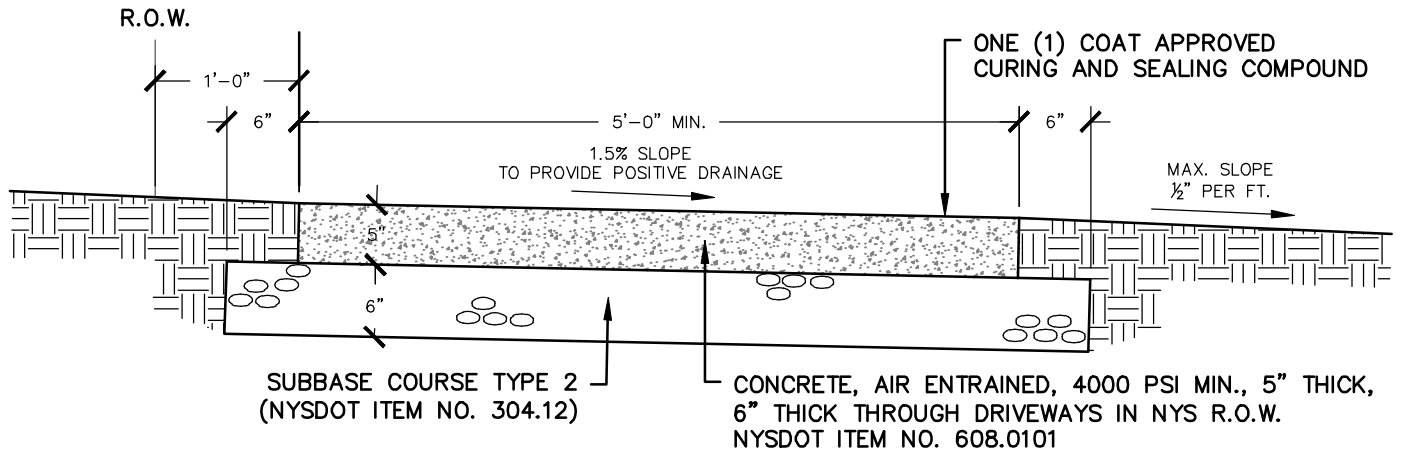
TOWN OF FARMINGTON

1000 County Road #8
Farmington, NY 14425

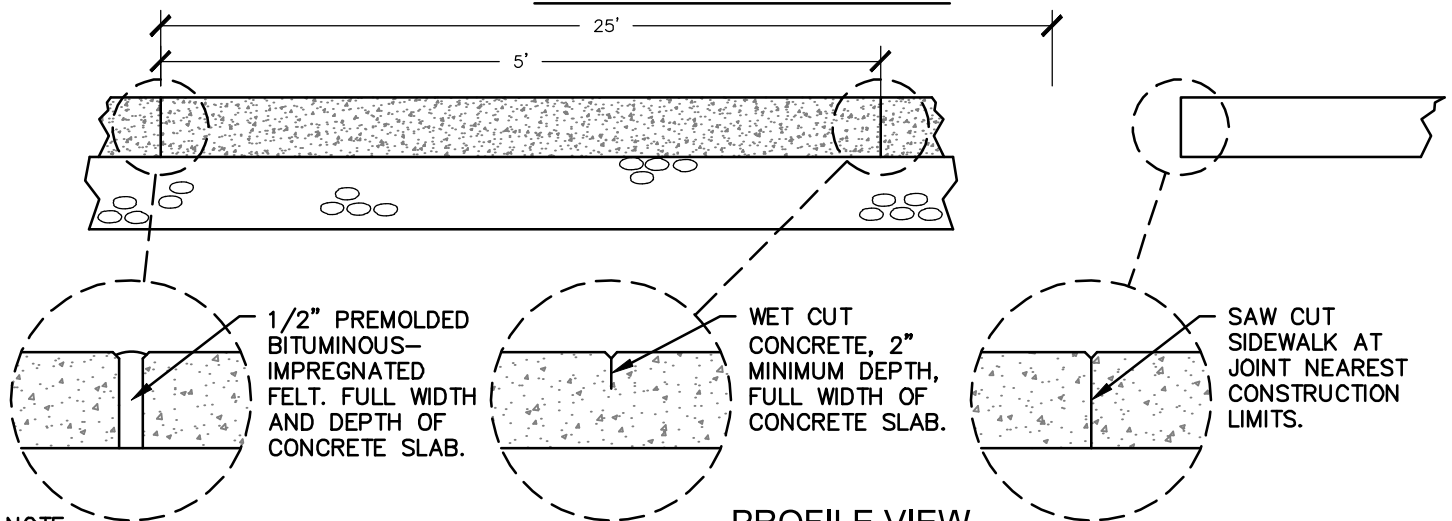
APPENDIX: **H - 6.0**

DATE: 2025

SCALE: N.T.S.



CROSS-SECTIONAL VIEW



NOTE:

PROFILE VIEW

1. CONCRETE SIDEWALKS THROUGH DRIVEWAYS SHALL INCLUDE W2.9 6"x6" WIRE MESH (10 GAUGE) AT MID THICKNESS FOR REINFORCEMENT.
2. THE GRAVEL OR STONE BASE SHALL BE PLACED ON A WELL GRADED AND COMPACTED SUBGRADE. THE GRAVEL OR STONE BASE SHALL BE THOROUGHLY COMPACTED.
3. ALL EXPOSED SURFACES SHALL BE BROOMED AND EDGES FINISHED WITH A 1/4" RADIUS EDGING TOOL. THE FINISHED CONCRETE SURFACE SHALL BE TREATED WITH A CLEAR, NON-YELLOWING CURING COMPOUND.
4. FOR SIDEWALKS TO BE DEDICATED TO THE TOWN OR WITHIN THE NYS R.O.W., NO CONCRETE SHALL BE PLACED BEFORE APRIL 20TH OR AFTER OCTOBER 31ST. NO CONCRETE SHALL BE PLACED UNLESS THE AMBIENT AIR AND BASE MATERIAL SURFACE TEMPERATURE IS ABOVE 40 DEGREES, EXCEPT IN TOWN R.O.W. WHEN FOLLOWING ACI 306 COLD WEATHER CONCRETING.
5. ALL WORK SHALL CONFORM TO ADA REQUIREMENTS AND NYS ACCESSIBILITY CODE.
6. A 10' SIDEWALK EASEMENT MAY BE REQUIRED BY THE TOWN.
7. THIS DETAIL SHALL APPLY TO ALL SIDEWALK WORK WITHIN TOWN, COUNTY, AND STATE RIGHT OF WAYS.
8. DRIVEWAYS SHALL BE PAVED TO TOP OF SIDEWALK.

SIDEWALK DETAIL

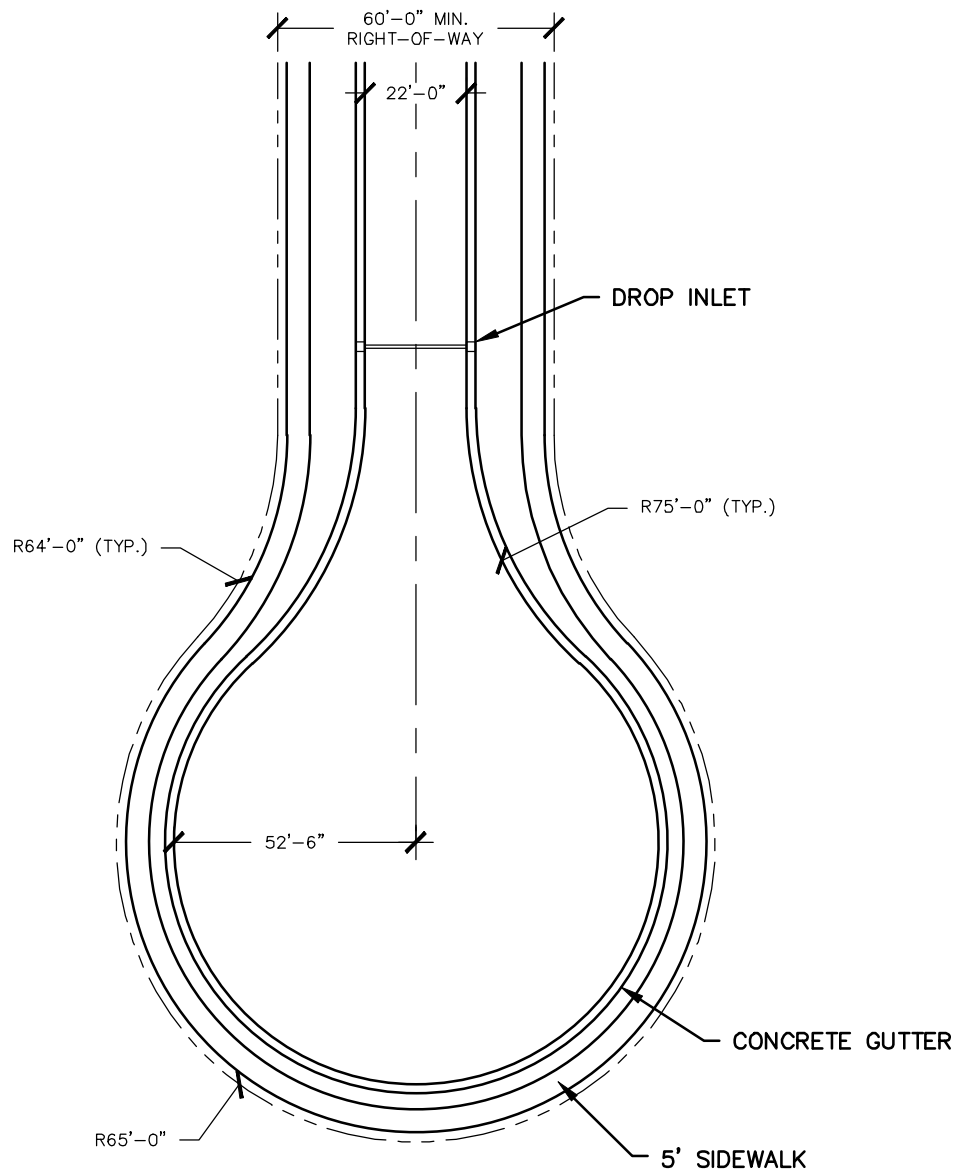
TOWN OF FARMINGTON

1000 County Road #8
Farmington, NY 14425

APPENDIX: **H - 7.0**

DATE: 2025

SCALE: N.T.S.



NOTES:

1. NO DROP INLETS WITHIN PAVEMENT AREA. A THIRD DROP INLET MAY BE INSTALLED AT THE END OF THE CUL-DE-SAC

CUL-DE-SAC PLAN

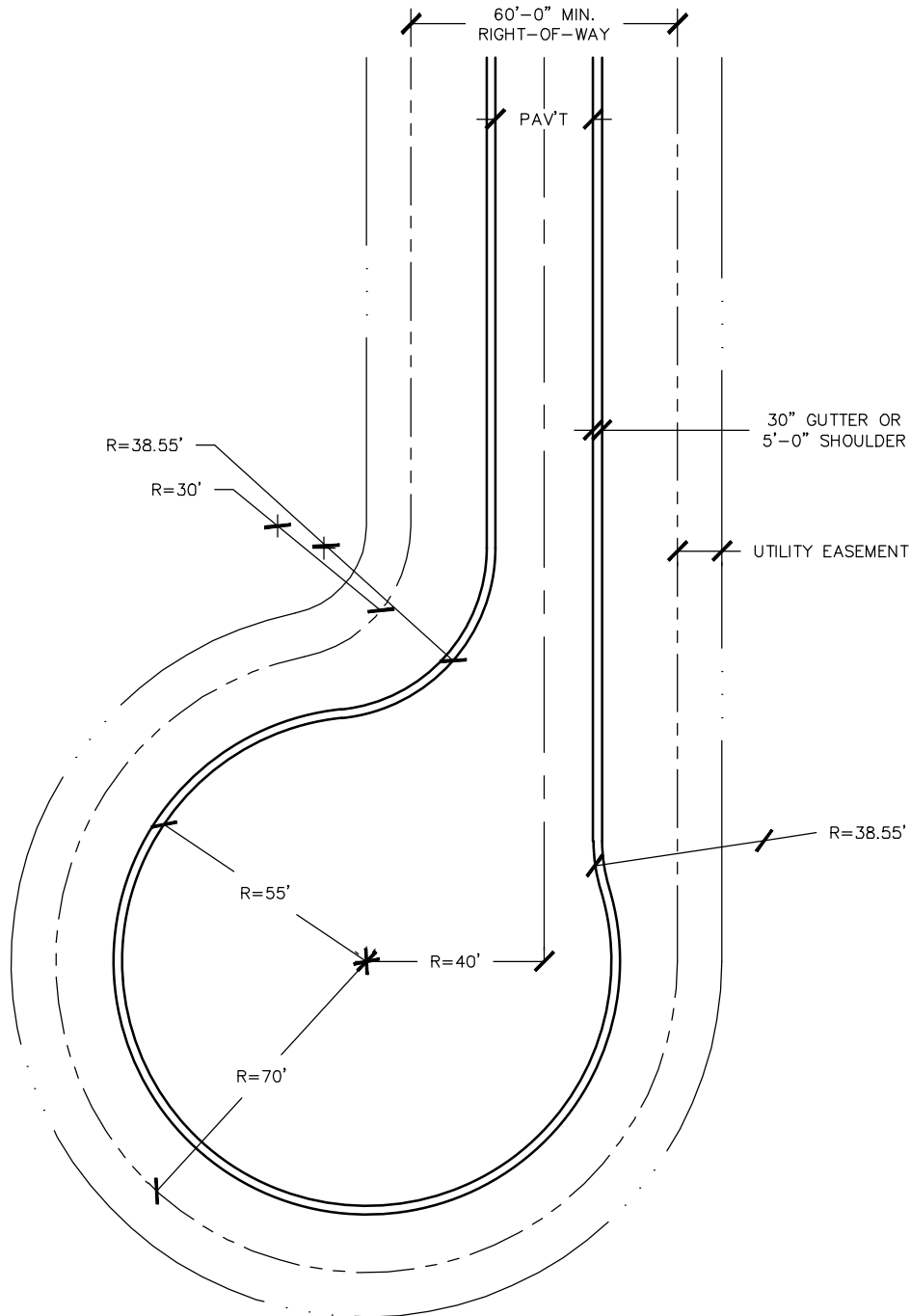
TOWN OF FARMINGTON

1000 County Road #8
Farmington, NY 14425

APPENDIX: **H - 7.1**

DATE: 2025

SCALE: N.T.S.



NOTES:

1. DROP INLETS SHALL BE LOCATED AT THE THROAT OF THE CUL-DE-SAC AND AT THE END OF THE CUL-DE-SAC. NO INLETS WILL BE PERMITTED WITHIN THE PAVEMENT AREA.

OFFSET CUL-DE-SAC PLAN

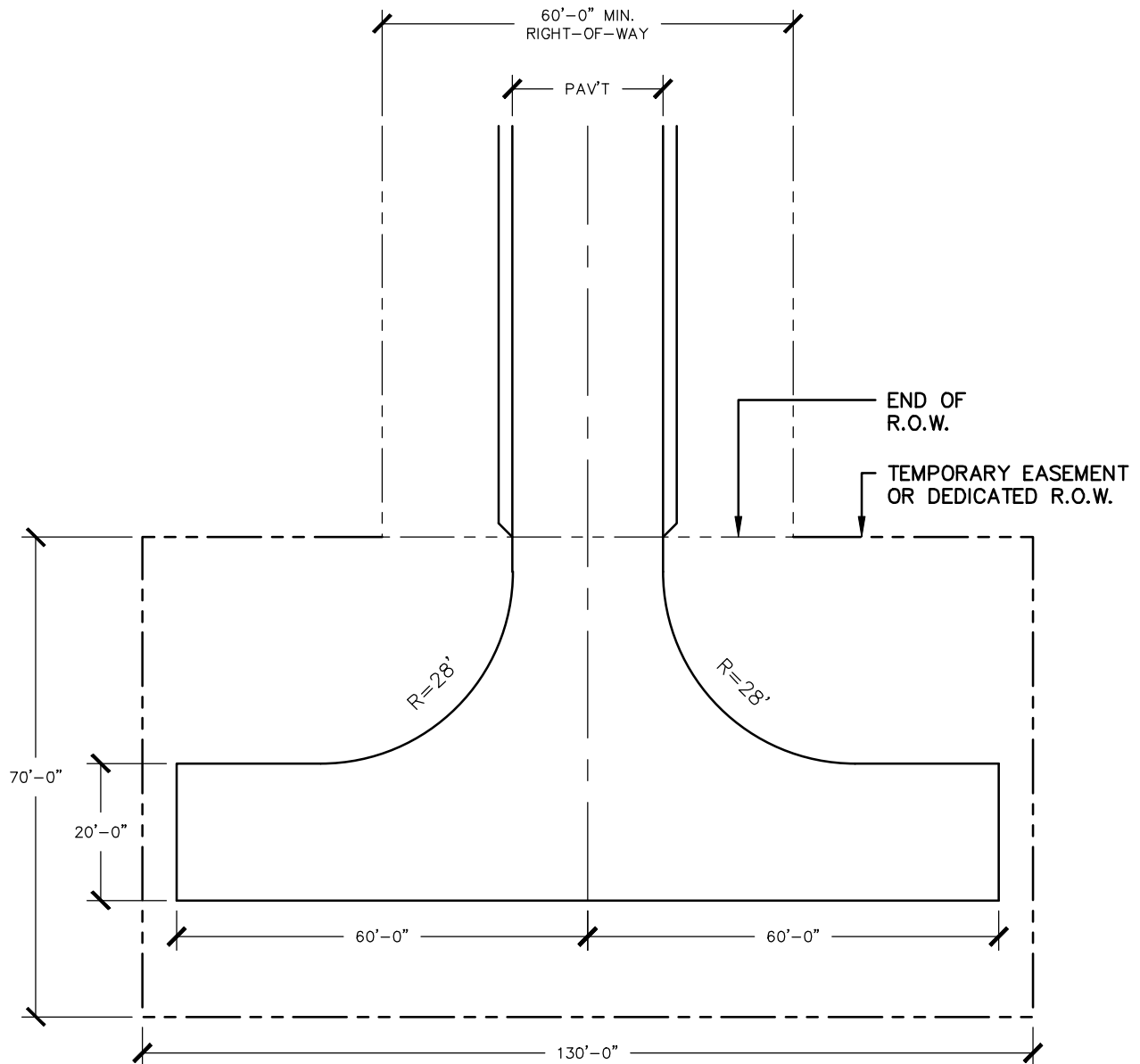
TOWN OF FARMINGTON

1000 County Road #8
Farmington, NY 14425

APPENDIX: **H - 8.0**

DATE: 2025

SCALE: N.T.S.



NOTES:

1. LARGER AREAS MAY BE REQUIRED FOR SNOW STORAGE OR TOPOGRAPHICAL CONSIDERATIONS.
2. PAVEMENT SECTION OF TURN AROUND SHALL MATCH THAT OF THE ROAD IT SERVES.

HAMMER HEAD TURN AROUND

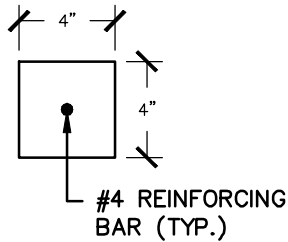
TOWN OF FARMINGTON

1000 County Road #8
Farmington, NY 14425

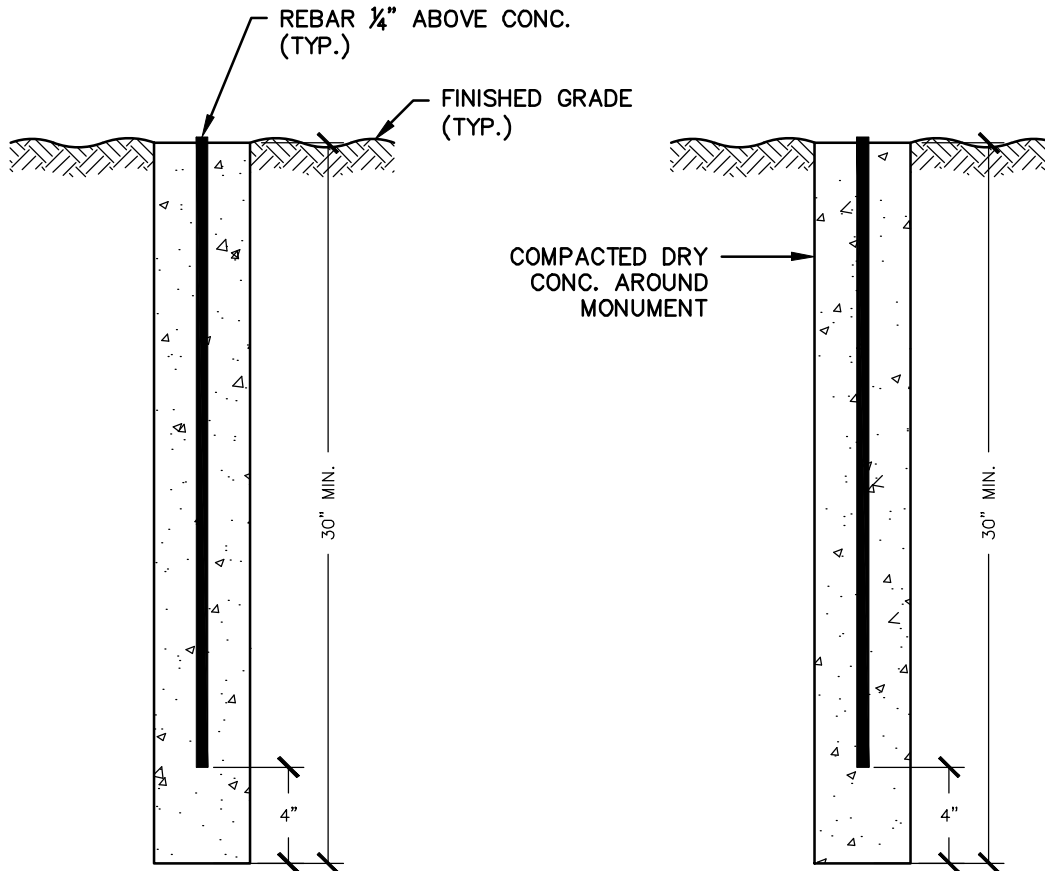
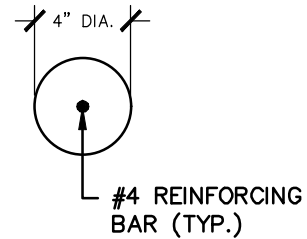
APPENDIX: **H - 9.0**

DATE: 2025

SCALE: N.T.S.



PLAN



NOTE:

1. REBAR PROJECTION SHALL MARK EXACT POINT DENOTED ON THE PLAN

SECTION

MONUMENT

TOWN OF FARMINGTON

1000 County Road #8
Farmington, NY 14425

APPENDIX: **H - 10.0**

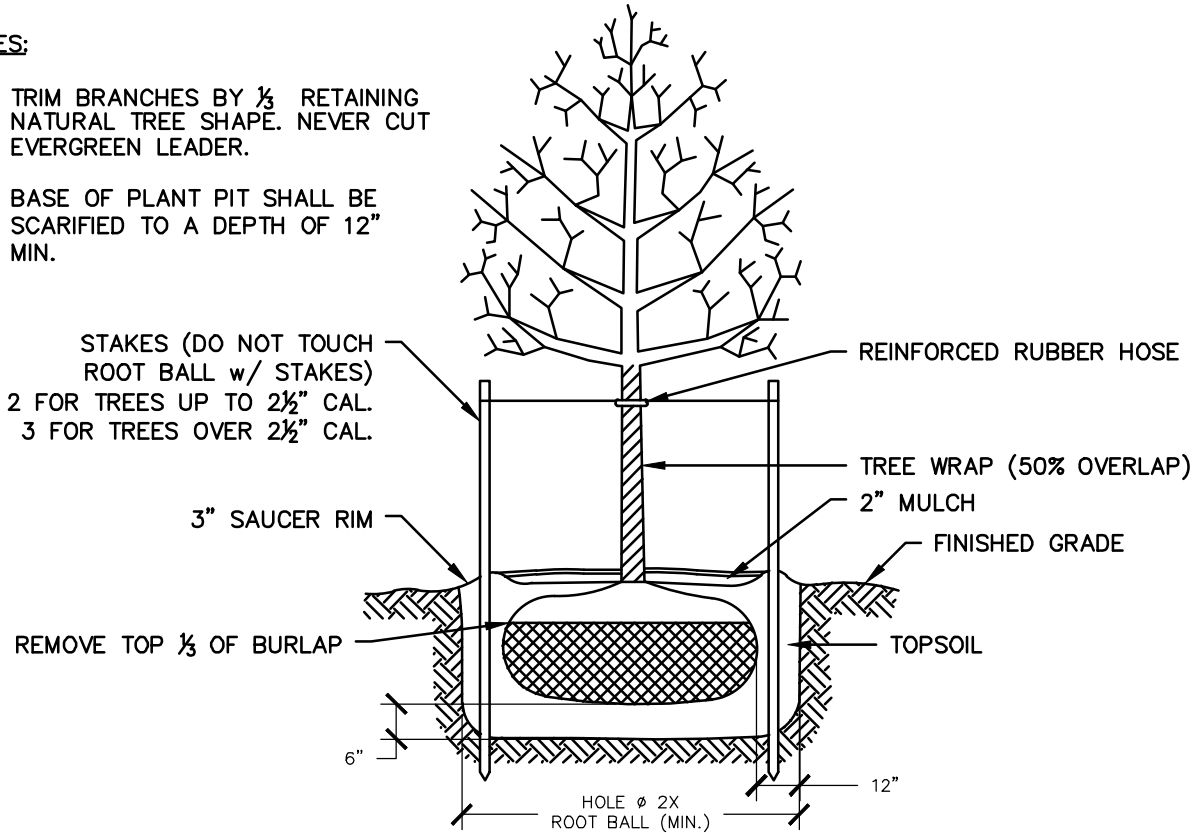
DATE: 2025

SCALE: N.T.S.



NOTES:

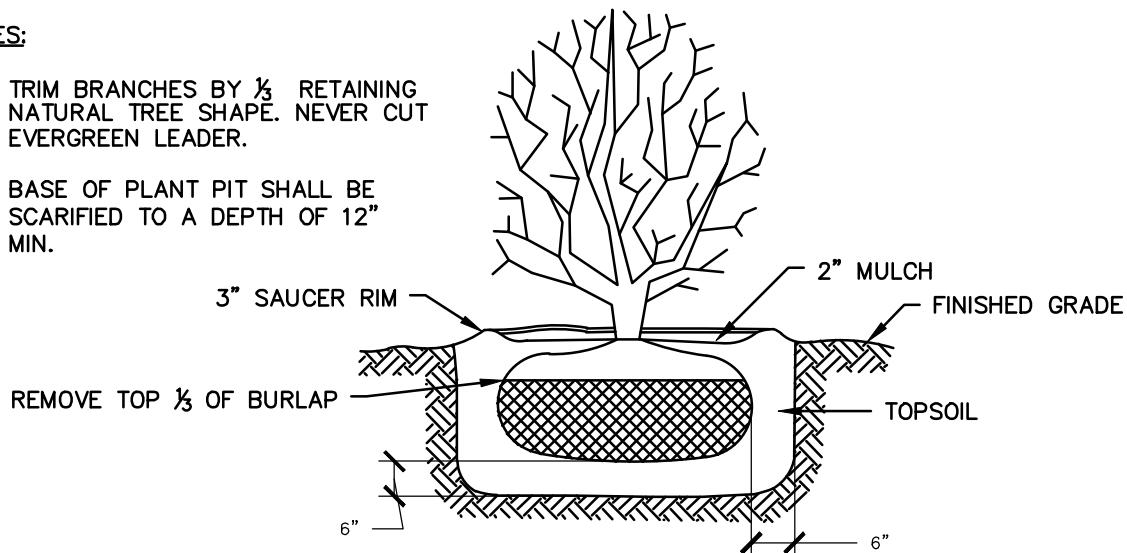
1. TRIM BRANCHES BY $\frac{1}{3}$ RETAINING NATURAL TREE SHAPE. NEVER CUT EVERGREEN LEADER.
2. BASE OF PLANT PIT SHALL BE SCARIFIED TO A DEPTH OF 12" MIN.



TYPICAL TREE PLANTING DETAIL

NOTES:

1. TRIM BRANCHES BY $\frac{1}{3}$ RETAINING NATURAL TREE SHAPE. NEVER CUT EVERGREEN LEADER.
2. BASE OF PLANT PIT SHALL BE SCARIFIED TO A DEPTH OF 12" MIN.



TYPICAL SHRUB PLANTING DETAIL

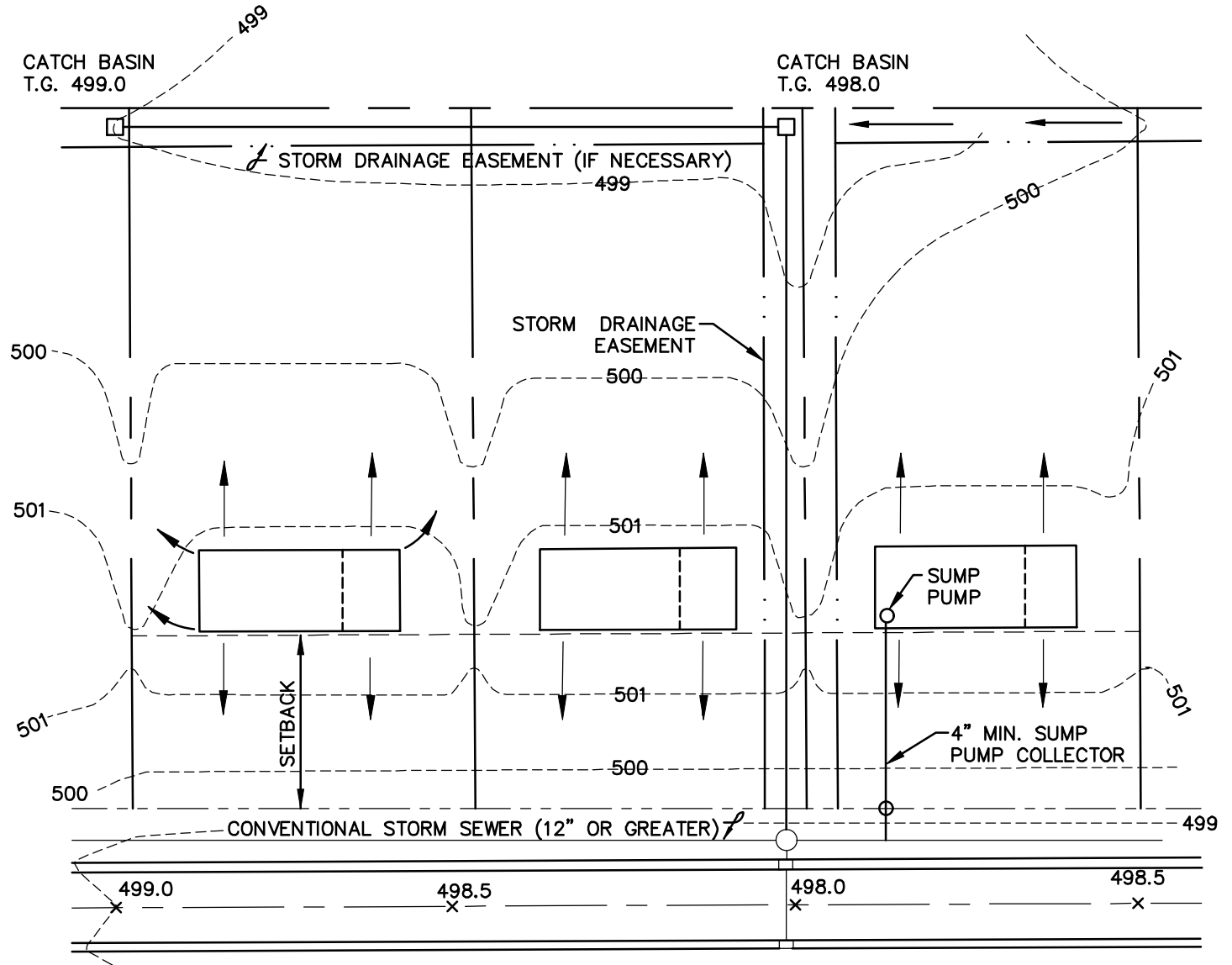
TOWN OF FARMINGTON

1000 County Road #8
Farmington, NY 14425

APPENDIX: **H - 11.0**

DATE: 2025

SCALE: N.T.S.



LEGEND

- 502 -- ORIGINAL CONTOURS
- 501 -- PROPOSED CONTOURS
- FLOW ARROWS
- x 498.50 SPOT ELEVATIONS
- STORM SEWER & MANHOLE
- CATCH BASIN

TYPICAL GRADING PLAN

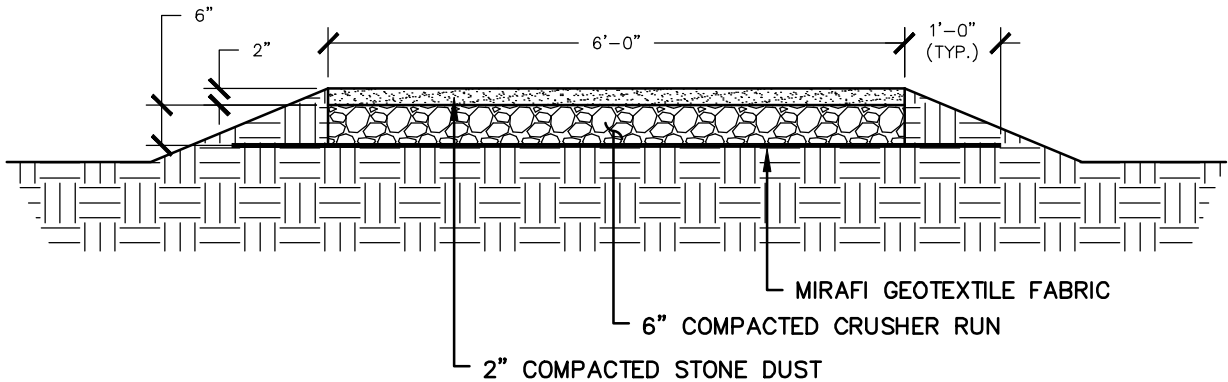
TOWN OF FARMINGTON

1000 County Road #8
Farmington, NY 14425

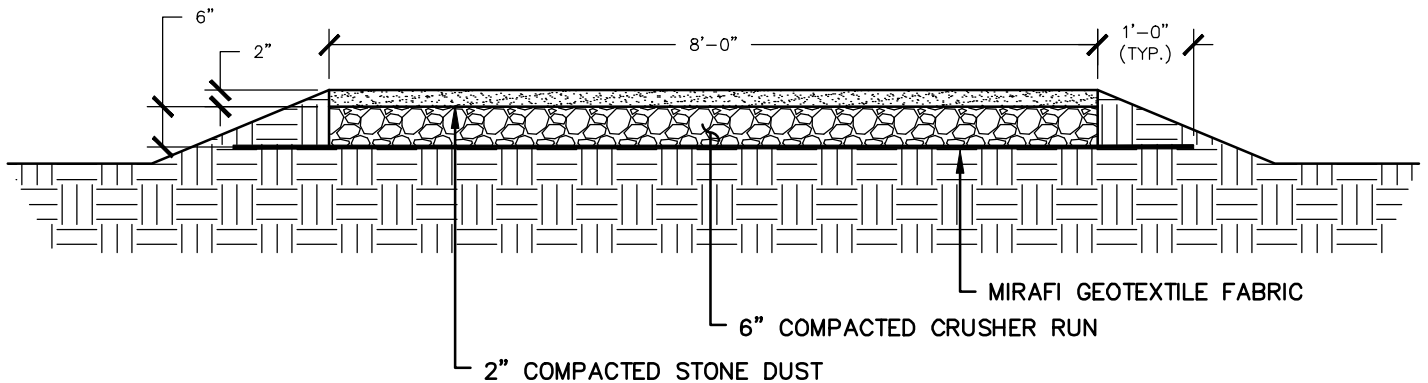
APPENDIX: **H - 12.0**

DATE: 2025

SCALE: N.T.S.



STONE DUST TRAIL



MULTI-PURPOSE TRAIL

NOTE:

1. ALL STONE DUST TRAILS AND MULTI-PURPOSE TRAILS TO BE DEDICATED TO THE TOWN SHALL BE CONSTRUCTED PER THESE DETAILS.
2. ALL STONE DUST TRAILS AND MULTI-PURPOSE TRAILS TO BE DEDICATED TO THE TOWN SHALL BE INSPECTED BY THE TOWN PRIOR TO ACCEPTANCE AND DEDICATION.

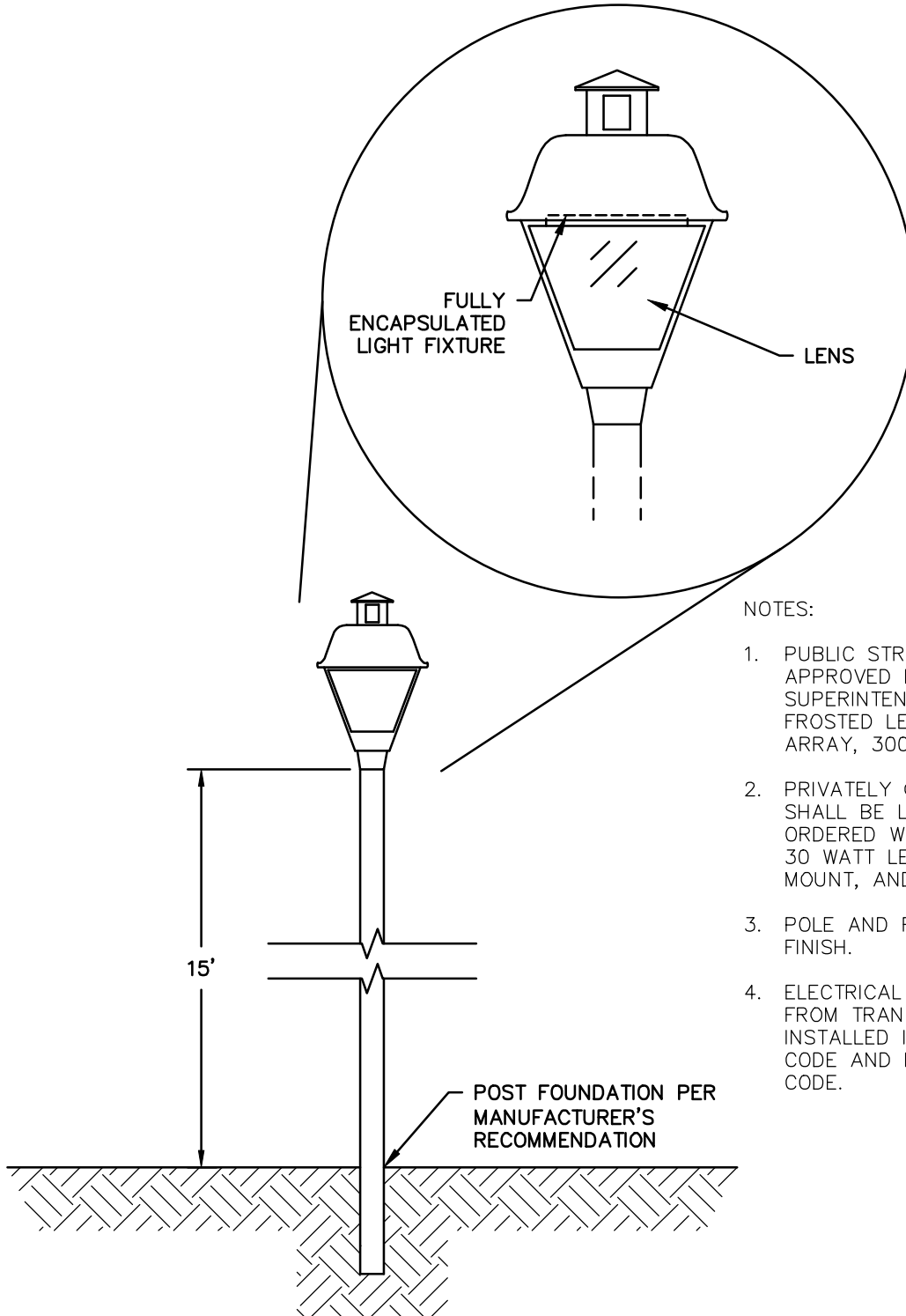
TOWN OF FARMINGTON

1000 County Road #8
Farmington, NY 14425

APPENDIX: **H - 13.0**

DATE: 2025

SCALE: N.T.S.



NOTES:

1. PUBLIC STREETLIGHT FIXTURE SHALL BE APPROVED BY THE HIGHWAY SUPERINTENDENT AND SHALL HAVE ACRYLIC FROSTED LENS PANELS, 55 WATT LED ARRAY, 3000K, POST TOP MOUNT.
2. PRIVATELY OWNED STREETLIGHT FIXTURES SHALL BE LED DOWNLIGHT AND SHALL BE ORDERED WITH A REFRACTIVE LENS PANEL, 30 WATT LED ARRAY, 3000K, WITH PHOTOCONTROL.
3. POLE AND FIXTURE SHALL HAVE A BLACK FINISH.
4. ELECTRICAL CONDUIT SHALL PROVIDED FROM TRANSFORMER TO POLE AND BE INSTALLED IN ACCORDANCE WITH TOWN CODE AND NEW YORK STATE ELECTRICAL CODE.

STREETLIGHT DETAIL

TOWN OF FARMINGTON

1000 County Road #8
Farmington, NY 14425

APPENDIX: **H - 13.1**

DATE: 2025

SCALE: N.T.S.



Traditional TRA30

30" TRADITIONAL LUMINAIRE

DATE: _____ LOCATION: _____
TYPE: _____ PROJECT: _____
CATALOG #: _____

ORDERING GUIDE

Example: TRA30-AC-24NB-55-3K7-UNV-PEC-PT-NF-BLT

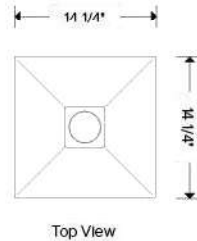
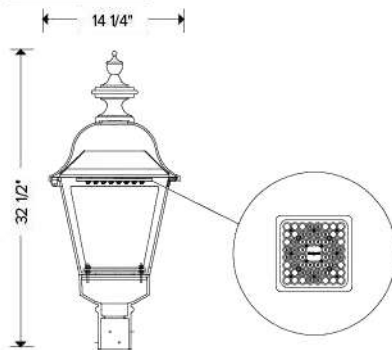
CATALOG # TRA30 - AF - 24NB-55 - 3K7 - UNV - DIR2 - PT - BLT

Series	Lens Finish	Engine Watts	CCT	Voltage	Optics
TRA30 Traditional 30"	AC Acrylic, clear AF Acrylic, frosted AS Acrylic, seeded AW Acrylic, white PC Polycarbonate, clear PF Polycarbonate, frosted	24NB-55 55 Watts - LED array 36NB-80 80 Watts - LED array 48NB-110 110 Watts - LED array 60NB-136 136 Watts - LED array	3K7 3000K 4K7 4000K 5K7 5000K	UNV 120-277V 347 347V 480 480V	DIR2 Direct, type II DIR3 Direct, type III DIR4 Direct, type IV DIR5 Direct, type V

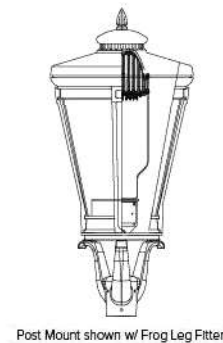
Electrical Options	Control Options	Mounting Options	Styel Option	Control Options
PEC Photocell, button	GENI-XX Energen ¹	PT Post top PM Pendant mount ²	NF No fin ²	BLT Black Matte Textured BLS Black Gloss Smooth DBT Dark Bronze Matte Textured DBS Dark Bronze Gloss Smooth GTT Graphite Matte Textured LGS Light Grey Gloss Smooth PSS Platinum Silver Smooth WHT White Matte Textured WHS White Gloss Smooth VGT Verde Green Textured
				Color Option CC Custom Color

- Notes:
- When ordering Energen, specify the routine setting code (Example GENI-04). See Energen brochure and Energen Instructions for setting table and options. Not available with sensor options.
 - Consult Factory

DIMENSIONS



MOUNTING OPTIONS



USE OF TRADEMARKS AND TRADE NAMES

All product and company names, logos and product identifies are trademarks™ or registered trademarks® of Hubbell Lighting, Inc. or their respective owners. Use of them does not necessarily imply any affiliation with or endorsement by such respective owners.

STREETLIGHT DETAIL PUBLICLY OWNED LIGHT

TOWN OF FARMINGTON

1000 County Road #8
Farmington, NY 14425

APPENDIX: **H - 13.2**

DATE: 2025

SCALE: N.T.S.



Streetworks

UTLD Traditionaire

Ordering Information

UTLD-PA1-30-730-U-T2U-A-BK-LLPC-PR

Product Family ¹	Configuration	Wattage Bucket	Color Temperature	Voltage	Distribution	Lens	Finish
UTLD=Traditionaire ² LED Downlight BAA=UTLD=Traditionaire LED Downlight Bay American Act Compliant ¹³ TAA=UTLD=Traditionaire LED Downlight Trade Agreements Act Compliant ¹³	PA1=Direct Mount Rectangle (24 LED)	20=20W ³ 30=30W 40=40W 50=50W 60=60W 70=70W 80=80W 90=90W 100=100W	740=70CRI, 4000K 727=70CRI, 2700K ⁴ 827=80CRI, 2700K ⁴ 730=70CRI, 3000K ⁴ 750=70CRI, 5000K ⁴ AMB=Amber 590nm ⁵	U=Universal (120-277V) 2=120V ⁶ 8=480V ^{4,8} 9=347V ⁴	T2U=Type II Urban T3=Type III T4W=Type IV Wide SWQ=Type V Square Wide SL3=Type III w/ Spill Control	[Blank]=Open (No Lens) A=Refractive Lens Panels ⁷ CL=Clear Lens Panel ⁸ FP=Frosted Lens Panel ⁸ TL=Textured Lens Panel ⁸	BK=Black AP=Grey BZ=Bronze WH=White
Options (Add as Suffix)		Controls		Accessories (Order Separately) ¹⁴			
10K=Series 10kV UL 1449 Surge Protective Device 20K=Series 20kV UL 1449 Surge Protective Device 20KI=Series 20kV UL 1449 Surge Protective Device with light indicator 20MSP=Parallel 20kV MOV Surge Protective Device 10MSP=10kV MOV Surge Protective Device HA=50°C High Ambient Temperature ⁹ W=20" #10 Input Leads S=Snap Latches for Tool-less Light Replacement J=Factory Installed Ladder Rest BC=Bird Cone ¹⁰ HSS=Factory Install UTLD House Side Shield ¹¹ TC=Tall Cupola ¹¹ PSC=Photocontrol Shorting Cap NFC=NEMA Photocontrol - Multi-Tap LLPC=Longlife Photocontrol Included CC=Castal construction finish ¹²		SLTD=DALI ¹ PR=NEMA Photocontrol Receptacle ⁷ PR7=NEMA 7-PIN Twistlock Photocontrol Receptacle		TA18K=Decorative Ladder Rest for Field Installation (Black) OA/RA1013=Photocontrol Shorting Cap OA/RA1014=NEMA Photocontrol - 120V OA/RA1016=NEMA Photocontrol - Multi-Tap OA/RA1027=NEMA Photocontrol - 480V OA/RA1201=NEMA Photocontrol - 347V OA1223=10kV Surge Module Replacement HS-UTLD-24=Field installed UTLD House Side Shield for PA1 ¹¹ VGS-ARCH=Short Vertical Drop Shield VGL-ARCH=Long Vertical Drop Shield			
<p>NOTES:</p> <p>1. Customer is responsible for engineering analysis to confirm pole and fixture compatibility for all applications. Refer to our white paper WPS13001EN for additional support information.</p> <p>2. PA1-20 only available in 120V.</p> <p>3. Only available in universal voltage. Consult your lighting representative at Cooper Lighting Solutions if custom programming is required. Not available with PA1-90, PA1-100. Consult your lighting representative at Cooper Lighting Solutions if greater than PA1-80 (83W) is needed.</p> <p>4. Only for use with 480V Wye systems. Per NEC, not for use with ungrounded systems, impedance grounded systems or corner grounded systems (commonly known as Three Phase Three Wire Delta, Three Phase High Leg Delta and Three Phase Corner Grounded Delta systems).</p> <p>5. Not available with SLTD driver.</p> <p>6. Use dedicated IES files for when performing layouts. These files are published on the UTLD Traditionaire product page on the website.</p> <p>7. If "PR" selected, dimming functionality not available, dimming leads will be capped.</p> <p>8. Not available with HSS or SLTD driver.</p> <p>9. Lens panel and birdcone cannot be ordered together.</p> <p>10. HSS not available with SWQ distribution.</p> <p>11. Use tall cupola to accommodate network control solutions requiring the 7-pin receptacle.</p> <p>12. Castal construction finish salt spray tested to over 5,000-hours per ASTM B117, with a scribe rating of 9 per ASTM D1654.</p> <p>13. Only product configurations with these designated prefixes are built to be compliant with the Bay American Act of 1933 (BAA) or Trade Agreements Act of 1979 (TAA), respectively. Please refer to DOMESTIC REFERENCES website for more information. Components shipped separately may be separately analyzed under domestic preference requirements.</p> <p>14. Accessories sold separately will be separately analyzed under domestic preference requirements. Consult factory for further information.</p> <p>15. Narrow-band 590nm +/- 5nm for wildlife and observatory use. Choose drive current A, supplied at 500mA drive current only. Exact luminaire wattage available in IES files. Available with SWQ, 6MQ, SL2, SL3 and SL4 distributions. Can be used with HSS option.</p>							

Product Specifications

Construction

- Hinged (stainless steel hinge pins) die-cast aluminum housing and cover with cupola.
- 3G vibration tested to ensure strength of construction and longevity in application.

Optics

- Choice of five patented, high-efficiency AccuLED Optic technology manufactured from injection-molded acrylic.
- Optics are precisely designed to shape the light output, maximizing efficiency and application spacing.
- AccuLED Optic technology creates consistent distributions with the scalability to meet customized application requirements.
- Optional 2700K, 3000K, 4000K and 5000K CCT. For the ultimate level of spill light control, an optional house-side shield accessory can be field, or factory installed.
- Optics are IP66 enclosure rated.
- Offered open sided as a standard with four lens options.

Electrical

- LED drivers mount to die-cast aluminum back housing for optimal heat sinking, operation efficacy, and prolonged life.
- Standard drivers feature electronic universal voltage (120-277V 50/60Hz), 347V 60Hz or 480V 60Hz operation, greater than 0.9 power factor, less than 20% harmonic distortion, and is suitable for operation in -40°C to 40°C ambient environments.
- Surge protection options: 10kV/10kA common - and differential - mode surge protection. Optional 20kV (light indicator optional), 10kV MOV, and 20kV MOV surge protection devices.

Mounting

- Self-aligning pole-top fitter for 3" O.D. pole tops or vertical tenons.
- Square headed 1-1/4" polymer coated mounting bolts with a lock nut.

Finish

- Cast components finished in a super TGIC polyester powder coat paint, 2.5 mil nominal thickness for superior protection against fade and wear.
- Optional colors include bronze, grey and white. RAL and custom color matches available.

Shipping Data

- Approximate Net Weight: 37 lbs. (17 kgs.)
- Effective Projected Area: 2.3 (Sq. Ft.)

Typical Applications

- Outdoor, Parking Lots, Walkways, Roadways, Building Areas

Warranty

- Standard five-year warranty.
- Optional ten-year warranty, please see your Cooper Lighting Solutions Streetworks sales representative for more information.

TOWN OF FARMINGTON

1000 County Road #8
Farmington, NY 14425

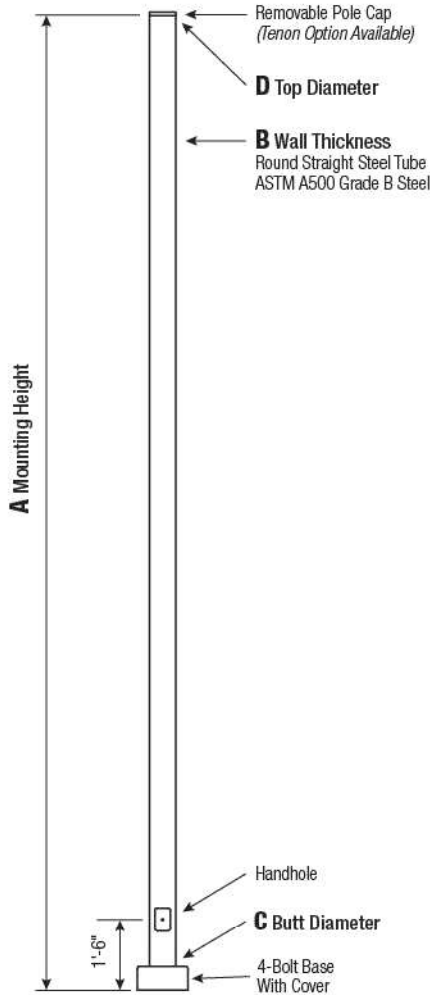
APPENDIX: **H - 13.3**

DATE: 2025

SCALE: N.T.S.



RSS Round Straight Steel Pole No Arm — 4-Bolt Base



C BUTT DIA.	D TOP DIA.	F BOLT CIR. DIA.	G BASE SQ.	H BOLT PROJ.	I BOLT SIZE
3	3	7.5-8.5	8	3.75	.75 x 17 x 3
4	4	7.5-8.5	8	3.75	.75 x 17 x 3
4.5	4.5	7.5-8.5	8	3.75	.75 x 17 x 3
5 (11 Gauge)	5	7.5-8.5	8	3.75	.75 x 17 x 3
5 (7 Gauge)	5	8-9	8.75	4.875	1 x 36 x 4

Dimensions in Inches

Pole

Pole shaft shall be weldable-grade, cold-rolled, commercial quality carbon steel tubing conforming to ASTM A500 Grade B. Options include 11 gauge and 7 gauge. All welds shall conform to AWS D1.1 using ER70S-6 electrodes.

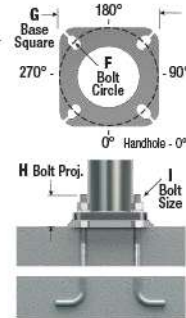
Base Style

4-Bolt Steel Base Plate of fabricated hot rolled carbon steel conforming to ASTM A36 or equivalent (36 ksi minimum yield) with 2-piece Base Cover and attaching hardware.



Anchorage

Anchorage Kit will include four (4) L-shaped Steel Anchor Bolts conforming to AASHTO M314-90 Grade 55, Ten Inches (10") of threaded end will be galvanized per ASTM A153. Kits will contain eight (8) Hex Nuts, four (4) Lock Washers, and eight (8) Flat Washers (all components Galvanized Steel). A paper bolt circle template will be provided.



Handhole

3" Butt Diameter - Reinforced, 2" x 4" Handhole with cover and stainless steel screws. A grounding provision incorporating a tapped 1/2"-13NC hole will be provided.
4"+ Butt Diameters - Reinforced, 3" x 5" Handhole with cover, stainless steel screw and backbar. A grounding provision incorporating a tapped 1/2"-13NC hole will be provided.



Base Cover

Round ABS plastic Base Covers are standard in all 11 Gauge RSS poles specified in powder coat finishes BA-Black, BM-Dark Bronze and BH-White.
Square metal powder coated Base Covers are standard in all 11 Gauge RSS poles that are specified in colors other than BA, BM, and BH and in all 7 Gauge poles in ALL COLORS. Custom specification of RSS Square Metal style Base Covers in BA, BM and BH powder coated finishes is available.



Vibration Damper

If determined necessary by Hapco, or if specified by the customer, a first and/or second mode vibration damper will be provided.

WARNING: Do not install light pole without luminaire.

TOWN OF FARMINGTON

1000 County Road #8
Farmington, NY 14425

APPENDIX: **H - 13.4**

DATE: 2025

SCALE: N.T.S.



A Mtl. Hgt.	B Wall Gauge	C Butt Dia.	TOTAL Lum. Weight	MAXIMUM EPA						CATALOG NUMBER
				90	100	110	120	130	140	
8	11	3	525	10.1	8.0	7.4	6.1	5.0	4.2	RSS08B3-4-**
8	11	4	600	21.4	17.1	15.9	13.1	11.0	9.4	RSS08B4-4-**
10	11	3	435	8.1	6.3	5.8	4.7	3.8	3.1	RSS10B3-4-**
10	11	4	600	16.7	13.2	12.2	10.0	8.3	7.0	RSS10B4-4-**
10	11	4.5	600	22.4	17.8	16.5	13.6	11.5	9.9	RSS10B6-4-**
12	11	3	370	6.4	4.9	4.5	3.5	2.8	2.2	RSS12B3-4-**
12	11	4	600	13.2	10.3	9.5	7.7	6.3	5.2	RSS12B4-4-**
12	11	4.5	600	18.1	14.2	13.1	10.7	9.0	7.7	RSS12B6-4-**
14	11	3	315	5.1	3.8	3.4	2.6	1.9	1.4	RSS14B3-4-**
14	11	4	550	10.7	8.3	7.6	6.0	4.7	3.9	RSS14B4-4-**
14	11	4.5	600	14.7	11.4	10.5	8.4	7.0	6.0	RSS14B6-4-**
16	11	3	275	3.9	2.8	2.5	1.8	1.2	0.7	RSS16B3-4-**
16	11	4	470	8.8	6.6	6.0	4.6	3.5	2.8	RSS16B4-4-**
16	11	4.5	595	11.9	9.0	8.2	6.5	5.4	4.5	RSS16B6-4-**
18	11	3	245	2.9	1.9	1.6	1.0	-	-	RSS18B3-4-**
18	11	4	400	7.1	5.2	4.6	3.4	2.5	1.9	RSS18B4-4-**
18	11	4.5	505	9.7	7.2	6.5	5.0	4.1	3.4	RSS18B6-4-**
20	11	3	225	2.0	1.1	0.9	-	-	-	RSS20B3-4-**
20	11	4	340	5.6	3.9	3.5	2.4	1.5	1.1	RSS20B4-4-**
20	11	4.5	430	7.9	5.7	5.1	3.7	3.0	2.4	RSS20B6-4-**
20	11	5	540	10.5	7.7	7.1	5.7	4.7	3.9	RSS20B8-4-**
20	7	5	600	17.7	13.5	12.5	10.3	8.6	7.3	RSS20D5-4-**
22	11	4.5	370	6.3	4.4	3.8	2.6	2.0	1.6	RSS22B6-4-**
22	11	5	460	8.6	6.1	5.6	4.5	3.6	3.0	RSS22B8-4-**
22	7	5	600	13.4	9.9	9.2	7.5	6.2	5.1	RSS22D5-4-**
25	11	4	240	2.8	1.5	1.1	-	-	-	RSS25B4-4-**
25	11	4.5	290	4.4	2.7	2.2	1.2	0.8	-	RSS25B6-4-**
25	11	5	365	6.2	4.1	3.7	2.8	2.2	1.7	RSS25B8-4-**
25	7	5	565	11.1	8.0	7.4	5.9	4.8	4.0	RSS25D5-4-**
30	11	4.5	205	1.7	-	-	-	-	-	RSS30B6-4-**
30	11	5	245	3.1	1.3	1.1	0.6	-	-	RSS30B8-4-**
30	7	5	395	7.0	4.5	4.0	3.1	2.4	1.8	RSS30D5-4-**
35	7	5	270	3.8	1.7	1.4	0.8	-	-	RSS35D5-4-**

Catalog Number System

The catalog number for Hapco poles utilizes the following identification system.



Catalog Number Example -

RSS 20 B 4 - 4 - BH

Round Straight Steel, 20' Mounting Height, 11 Gauge, 4" Butt Diameter, No Taper, 4-Bolt Base, White Powder Coat Finish.

EPA Notes:

Effective Projected Area (EPA) in square feet. EPA's calculated using wind velocity (mph) indicated in accordance with 2009 AASHTO LTS-5 using a 25-year design life. Maximum EPA is based on the luminaire weight shown. Increased luminaire weight may reduce the maximum EPA. If weight is exceeded, or if other design life or code is required, please consult the factory.

Mounting Options

Side Drill Mount
Includes removable pole cap.

NOTE: A luminaire drilling template must be supplied at time of order.

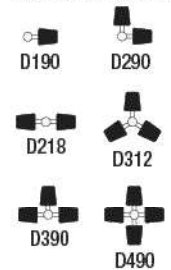


Tenon Mount

For Tenon Mount applications specify both Tenon diameter and length.



Drill Mount Options

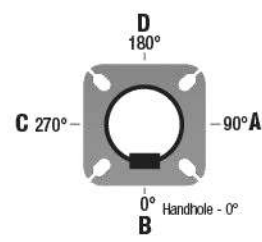


Electrical Box



Note: GFI Options must be specified in Accessories.
Note: Not Available in 3" Diameter.

Pole Orientation



HEIGHT	GAUGE	BUTT DIA.	TOP DIA.	BASE STYLE	MOUNTING OPTIONS	ELECTRICAL BOX*	ACCESSORIES/OPTIONS*	FINISH
8 = 8'	8 = 11 Gauges	3 = 3"	"" = No Taper	4 = 4-Bolt Base	DRILL MOUNT D000 - No Drilling D190 - Std. "A" D290 - Std. "A" & "D" D218 - Std. "A" & "C" D390 - Std. "A", "D", & "C" D490 - Std. "A", "B", "C", & "D" DCUS - Custom**	FA - 30" Up, "D" FB - 30" Up, "B" FC - 30" Up, "A" FD - 30" Up, "C" FE - 36" Up, "D" FF - 36" Up, "B" FG - 36" Up, "A" FH - 36" Up, "C" FI - 24" Up, "D" FK - 24" Up, "A" FL - 24" Up, "C" FZ - Custom**	C12 - Threaded 1/2" Coupling** G34 - Threaded 3/4" Coupling** C10 - Threaded 1" Coupling** EHH - Extra Handhole** GF1 - Duplex GFI Receptacle (WR) with Cover GF2 - Duplex GFI (WR) with In-Use Cover LAB - Less Anchor Bolts LPC - Less Pole Cap PAB - Pre-shipped Anchor Bolts VD2 - Vib. Damper - 2nd Mode	POWDER COAT COLORS BA - Black Powder Coat BH - White Powder Coat BM - Dark Bronze Powder Coat BV - Dark Green Powder Coat GC - Gray Powder Coat XX - Special Colors* GALVANIZED 1Q - Galvanized Only 1C - Black PC Over Galv. 1D - White PC Over Galv. 1B - D. Bronze PC Over Galv. 1Y - J. Green PC Over Galv. 1J - Gray PC Over Galv. XX - Special PC Over Galv.*
10 = 10'	4 = 4"	4 = 4"			TENON T204 - 2-3/8" O.D. x 4" T304 - 2-7/8" O.D. x 4" T356 - 3-1/2" O.D. x 6" T406 - 4" O.D. x 6" TCUS - Custom Tenon**	* GFI Receptacle Options Available (Specify in Accessories)	* Add all that apply (Example: CPL-LAB-1D1) ** Specify Location	* Provide RAL # or Sample Color Chip
12 = 12'	D = 7 Gauge	6 = 4.5"						
14 = 14'		5 = 5"						
16 = 16'								
18 = 18'								
20 = 20'								
22 = 22'								
25 = 25'								
30 = 30'								
35 = 35'								

STREETLIGHT DETAIL BREAKAWAY LIGHT POLE (2 OF 2)

RSS - ROUND STRAIGHT STEEL POLE

No ARM

4-BOLT BASE

5

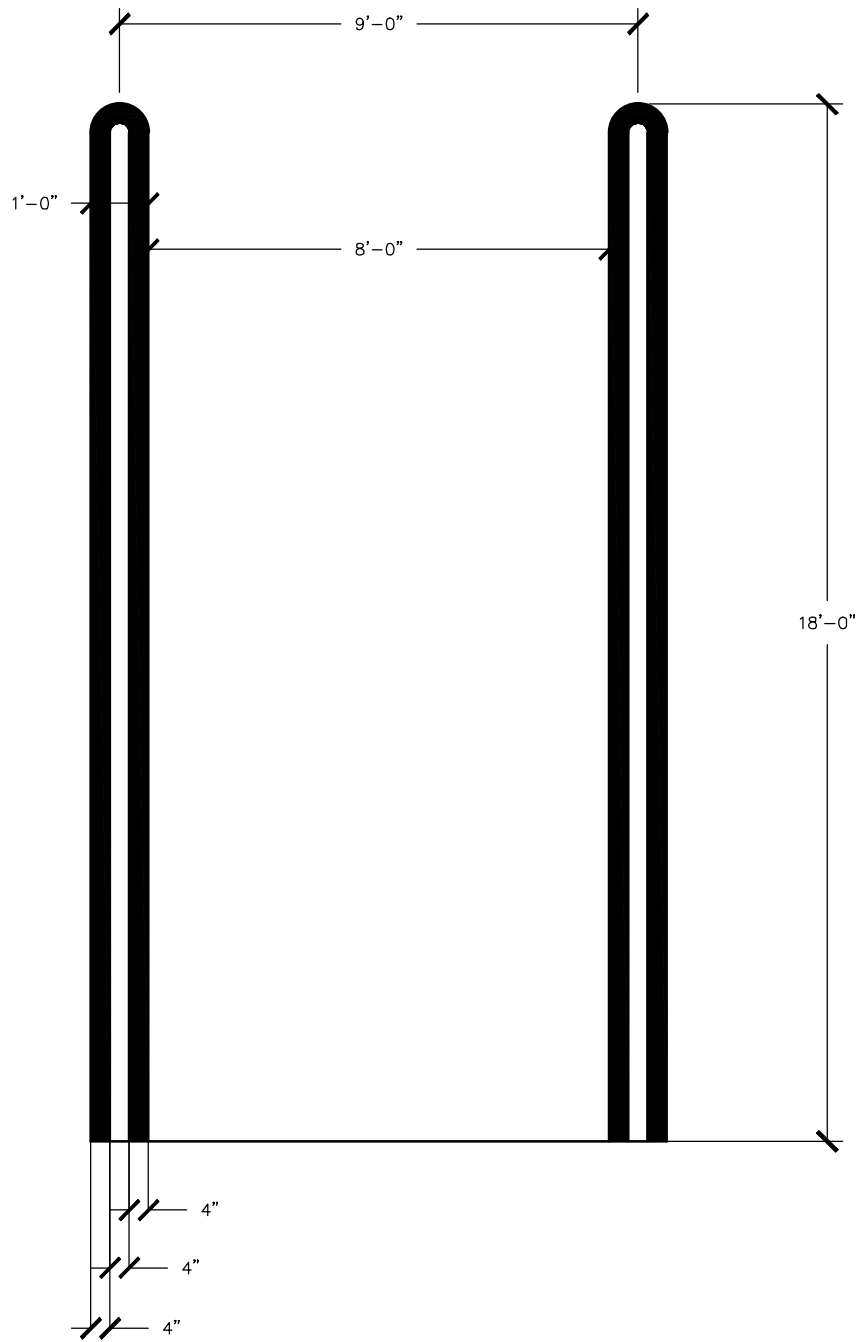
TOWN OF FARMINGTON

1000 County Road #8
Farmington, NY 14425

APPENDIX: **H - 14.0**

DATE: 2025

SCALE: N.T.S.



PARKING LOT DOUBLE STRIPE

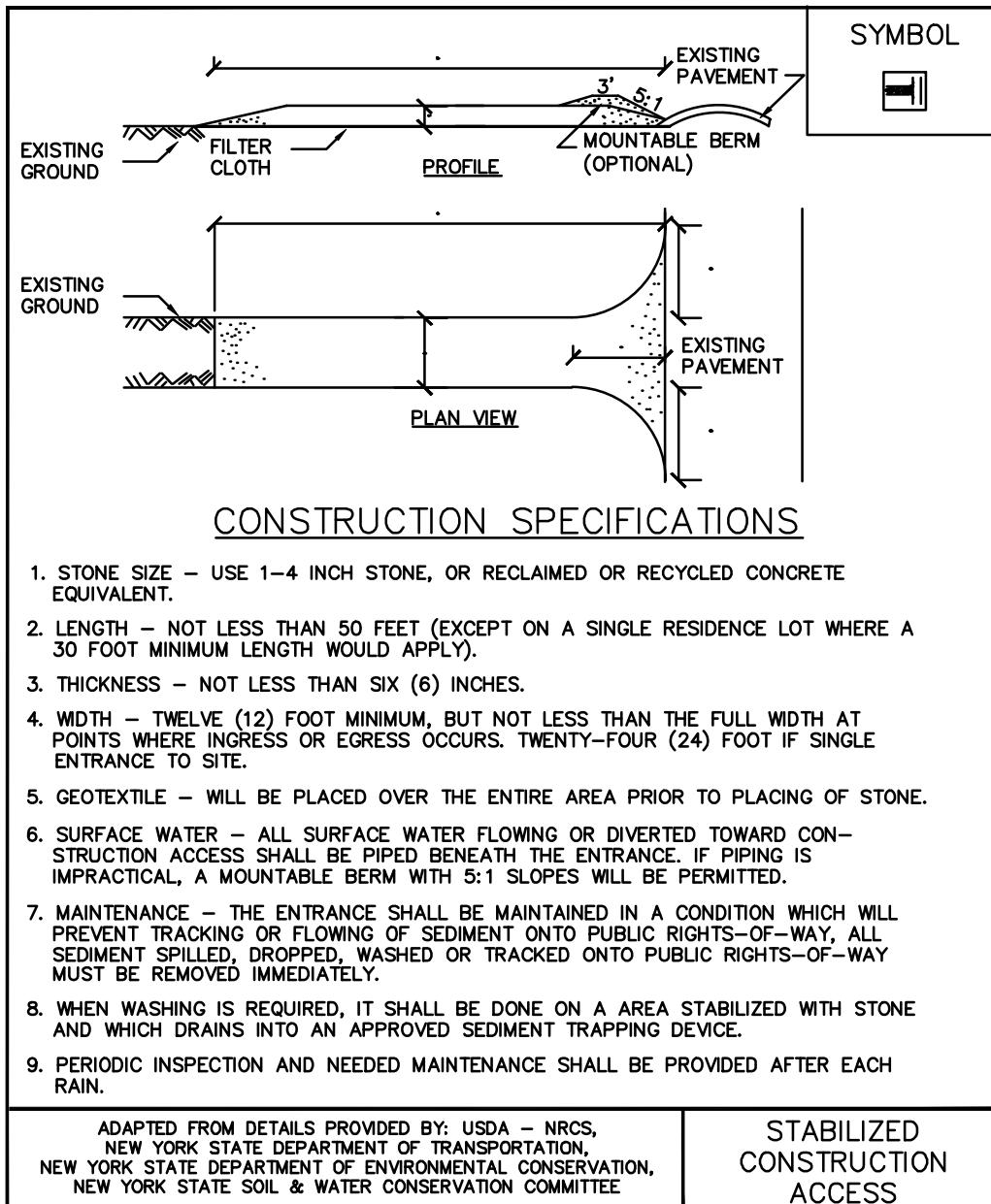
TOWN OF FARMINGTON

1000 County Road #8
Farmington, NY 14425

APPENDIX: **H - 15.0**

DATE: 2025

SCALE: N.T.S.



STABILIZED CONSTRUCTION ENTRANCE

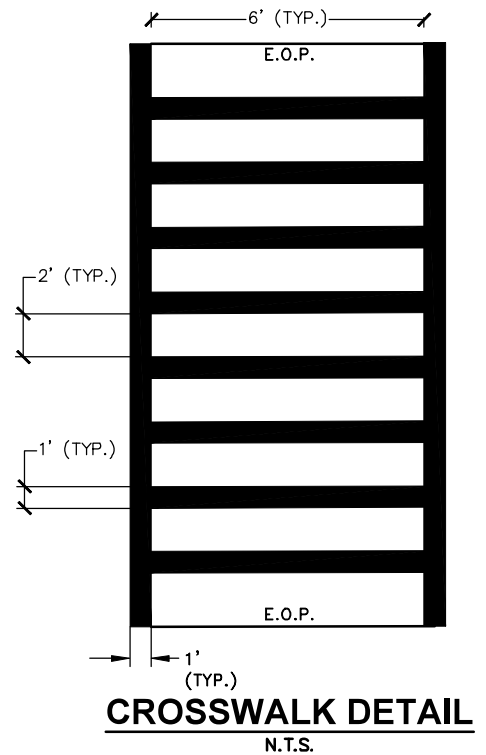
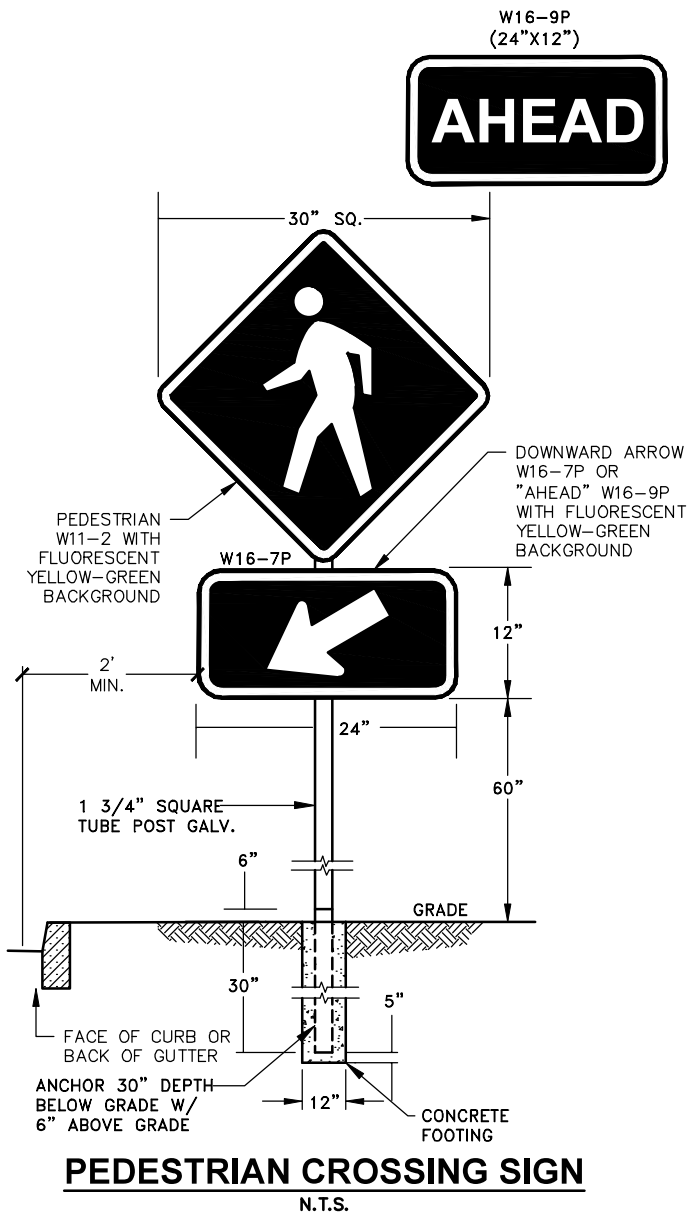
TOWN OF FARMINGTON

1000 County Road #8
Farmington, NY 14425

APPENDIX: **H - 16.0**

DATE: 2025

SCALE: N.T.S.



CROSSWALK DETAIL

LIST OF APPENDICES

SANITARY SEWER DETAILS

S – 1.0	Sanitary Sewer Cleanout Detail
S – 2.0	Sanitary Lateral Detail
S – 3.0	Wye Lateral Connection to Existing Sewer Main
S – 4.0	Shallow Sanitary Sewer Manhole (Less than 8' deep)
S – 4.1	Deep Sanitary Sewer Manhole (Greater than 8' deep)
S – 4.2	Dog-House Sanitary Sewer Manhole
S – 5.0	Sanitary Sewer Manhole Frame and Cover Detail
S – 6.0	Sanitary Sewer Inside Drop Connection
S – 7.0	Cleaning and Testing of Sanitary Sewers (General / Cleaning / Testing)
S – 7.1	Cleaning and Testing of Sanitary Sewers (Time Req. / Forcemains / Manholes)
S – 8.0	High Flow Pump Station (>100 GPM)
S – 8.1	High Flow Pump Station (Section)
S – 8.2	High Flow Pump Station (Section)
S – 9.0	Low Flow Pump Station Plan (<100 GPM)
S – 10.0	Pump Station Notes and Requirements

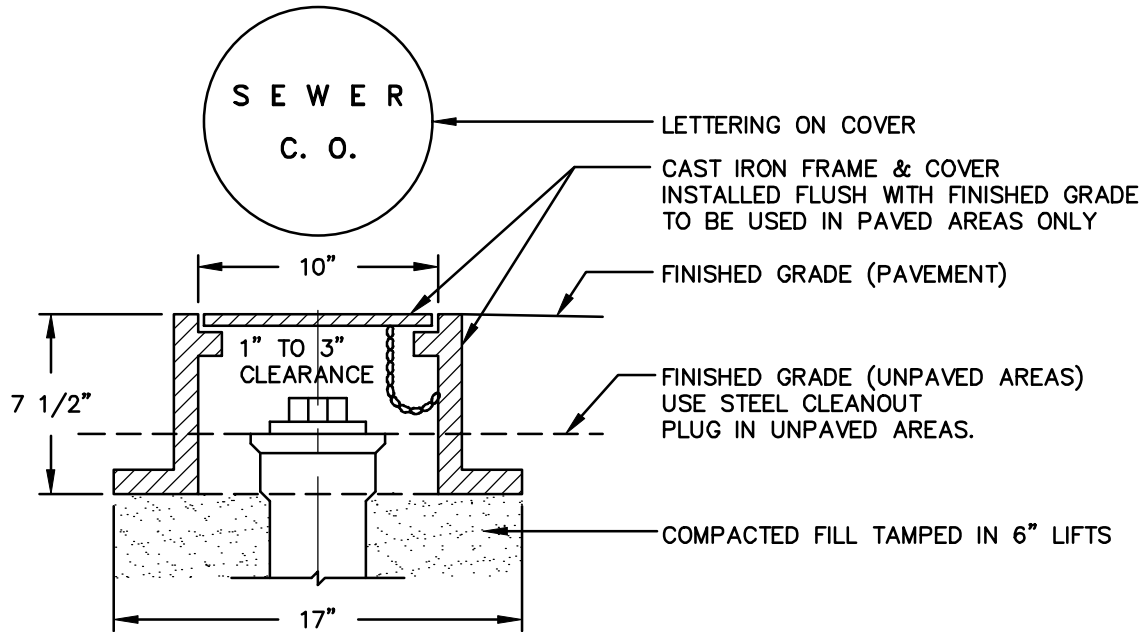
TOWN OF FARMINGTON

1000 County Road #8
Farmington, NY 14425

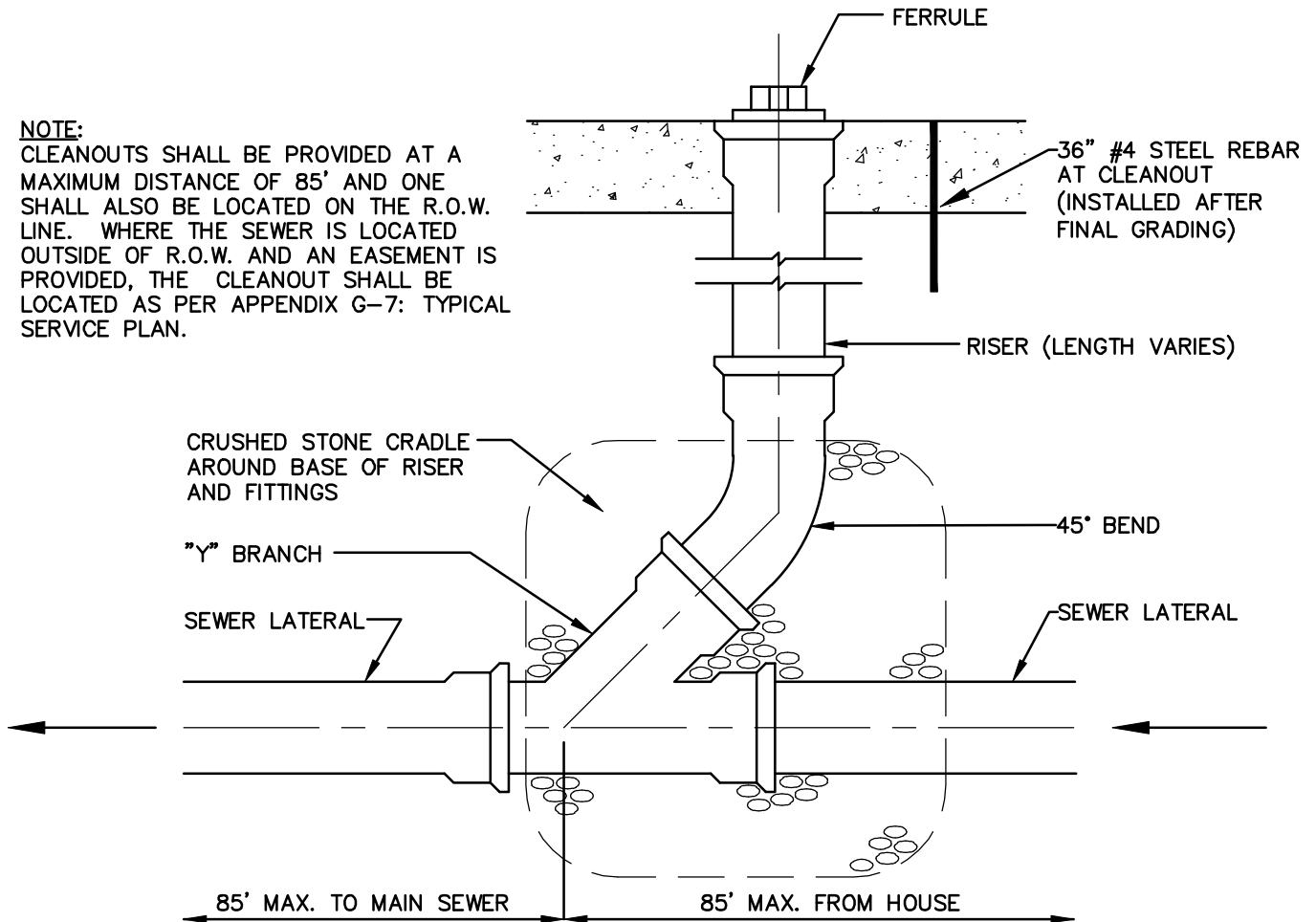
APPENDIX: **S - 1.0**

DATE: 2025

SCALE: N.T.S.



NOTE:
CLEANOUTS SHALL BE PROVIDED AT A MAXIMUM DISTANCE OF 85' AND ONE SHALL ALSO BE LOCATED ON THE R.O.W. LINE. WHERE THE SEWER IS LOCATED OUTSIDE OF R.O.W. AND AN EASEMENT IS PROVIDED, THE CLEANOUT SHALL BE LOCATED AS PER APPENDIX G-7: TYPICAL SERVICE PLAN.



SANITARY SEWER CLEANOUT DETAIL

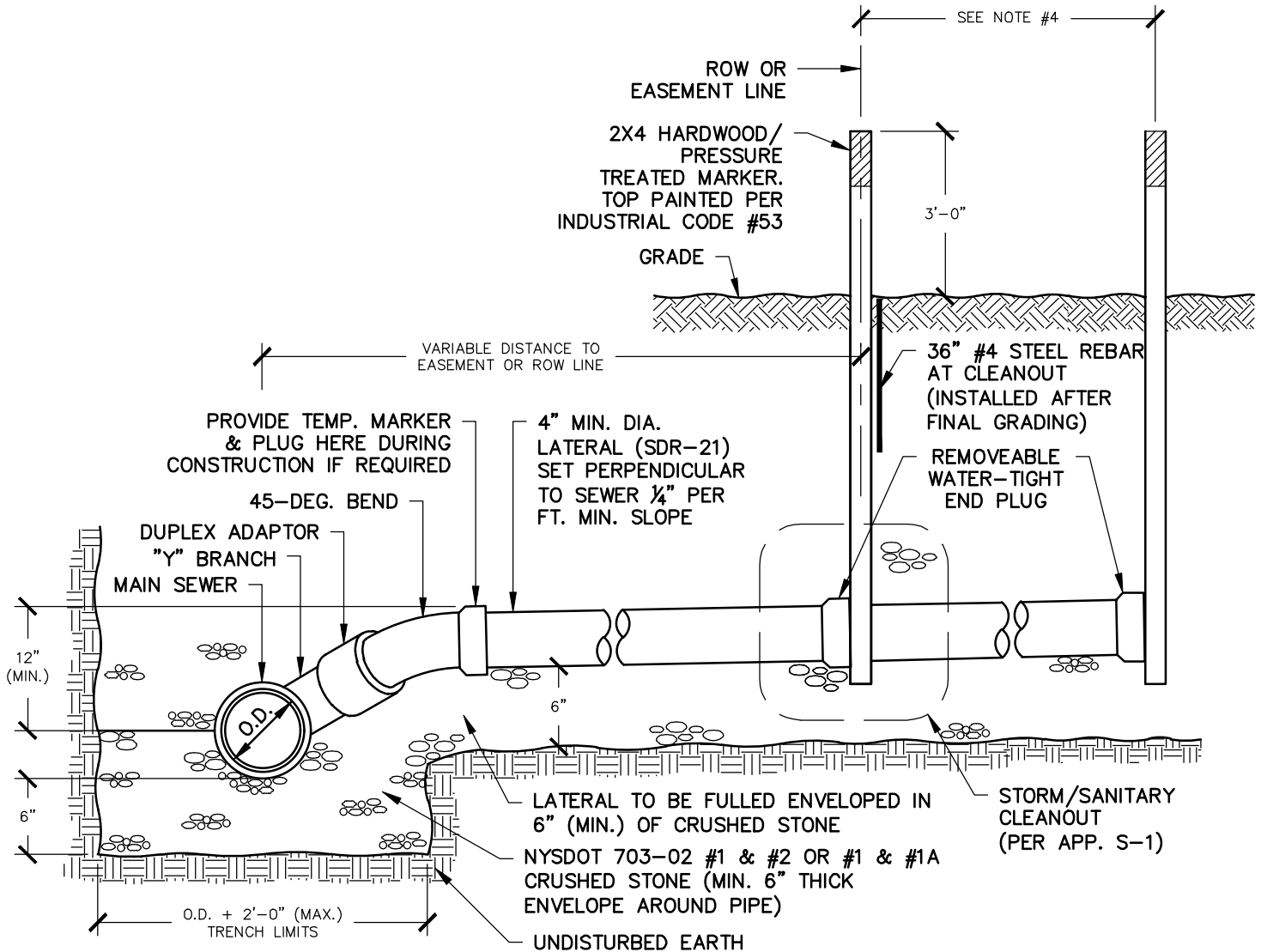
TOWN OF FARMINGTON

1000 County Road #8
Farmington, NY 14425

APPENDIX: **S - 2.0**

DATE: 2025

SCALE: N.T.S.



NOTES:

1. ALL LATERAL PIPING TO BE SDR-21
2. ALL WYE CONNECTIONS TO BE GENECO SEALTITE TYPE "E" MULTI-RANGE WYE SEWER SADDLE (REFER TO APPENDIX S-4)
3. CLEANOUTS SHALL BE PROVIDED AT A MAXIMUM DISTANCE OF 85' AND ONE SHALL ALSO BE LOCATED ON THE R.O.W. LINE. WHERE THE SEWER IS LOCATED OUTSIDE OF THE R.O.W. AND AN EASEMENT IS PROVIDED, PLACE CLEANOUT ON EASEMENT LINE (REFER TO APPENDIX G-7: TYPICAL SERVICE PLAN).
4. EXTEND LATERAL 10' OR TO UTILITY EASEMENT (RG&E, CABLE, ETC.), WHICHEVER IS CLOSER

SANITARY LATERAL DETAIL

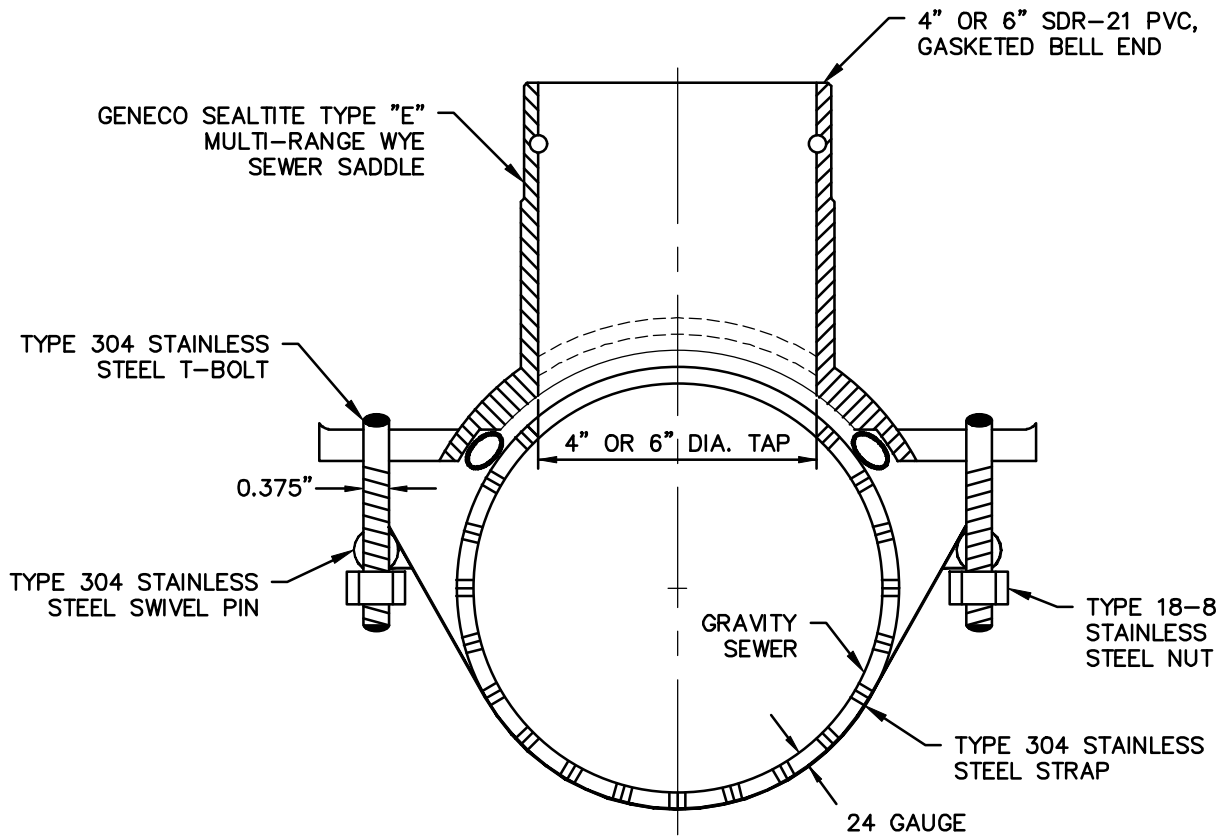
TOWN OF
FARMINGTON

1000 County Road #8
Farmington, NY 14425

APPENDIX: **S - 3.0**

DATE: 2025

SCALE: N.T.S.



WYE LATERAL CONNECTION TO EXISTING SEWER MAIN

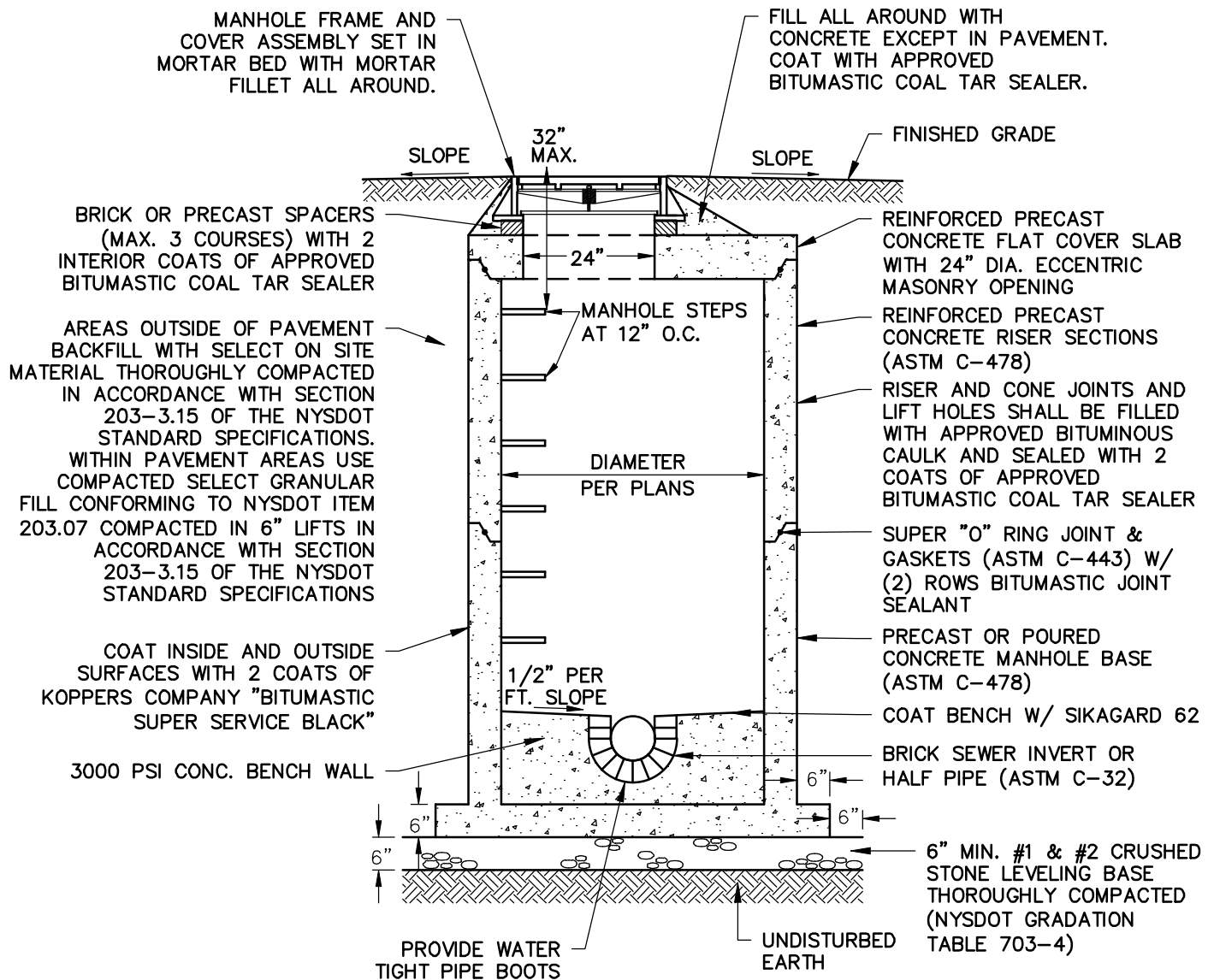
TOWN OF FARMINGTON

1000 County Road #8
Farmington, NY 14425

APPENDIX: **S - 4.0**

DATE: 2025

SCALE: N.T.S.



NOTES:

- APPLY EPOXY IN VICINITY OF ANY FORCEMAIN CONNECTION
- TOLERANCE FOR MANHOLE STEPS VERTICAL ALIGNMENT (VERTICAL) IS LESS THAN 1"

SHALLOW SANITARY SEWER MANHOLE (LESS THAN 8' DEEP)

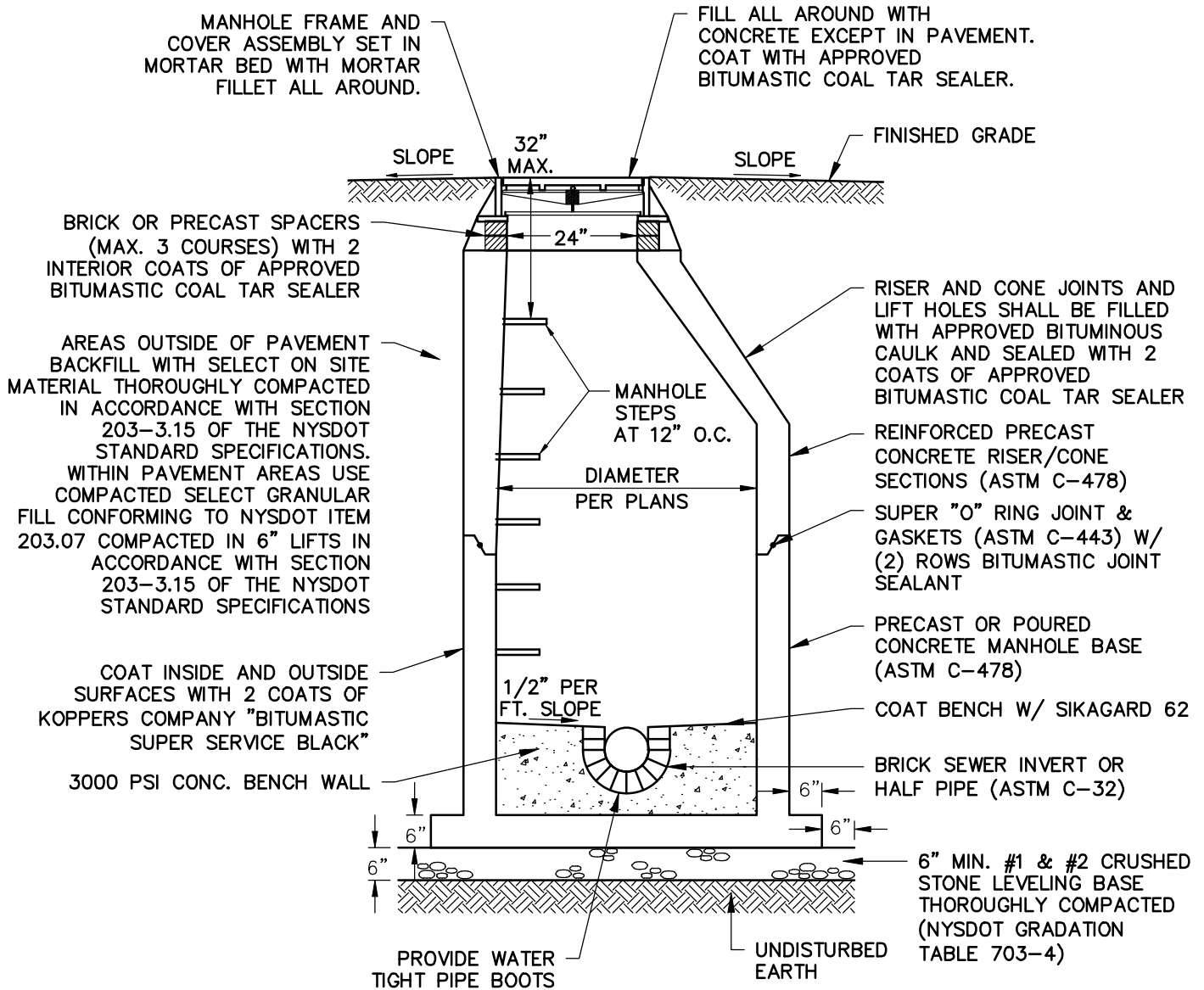
TOWN OF FARMINGTON

1000 County Road #8
Farmington, NY 14425

APPENDIX: **S - 4.1**

DATE: 2025

SCALE: N.T.S.



NOTES:

- ECCENTRIC CONE RISER SECTIONS CAN BE USED WHEN MANHOLE DEPTH IS GREATER THAN EIGHT (8) FEET
- APPLY EPOXY IN VICINITY OF ANY FORCEMAIN CONNECTION
- TOLERANCE FOR MANHOLE STEPS VERTICAL ALIGNMENT (VERTICAL) IS LESS THAN 1"
- SAFETY PLATFORM REQUIRED WHEN MANHOLE DEPTH IS OVER 14'

DEEP SANITARY SEWER MANHOLE (GREATER THAN 8' DEEP)

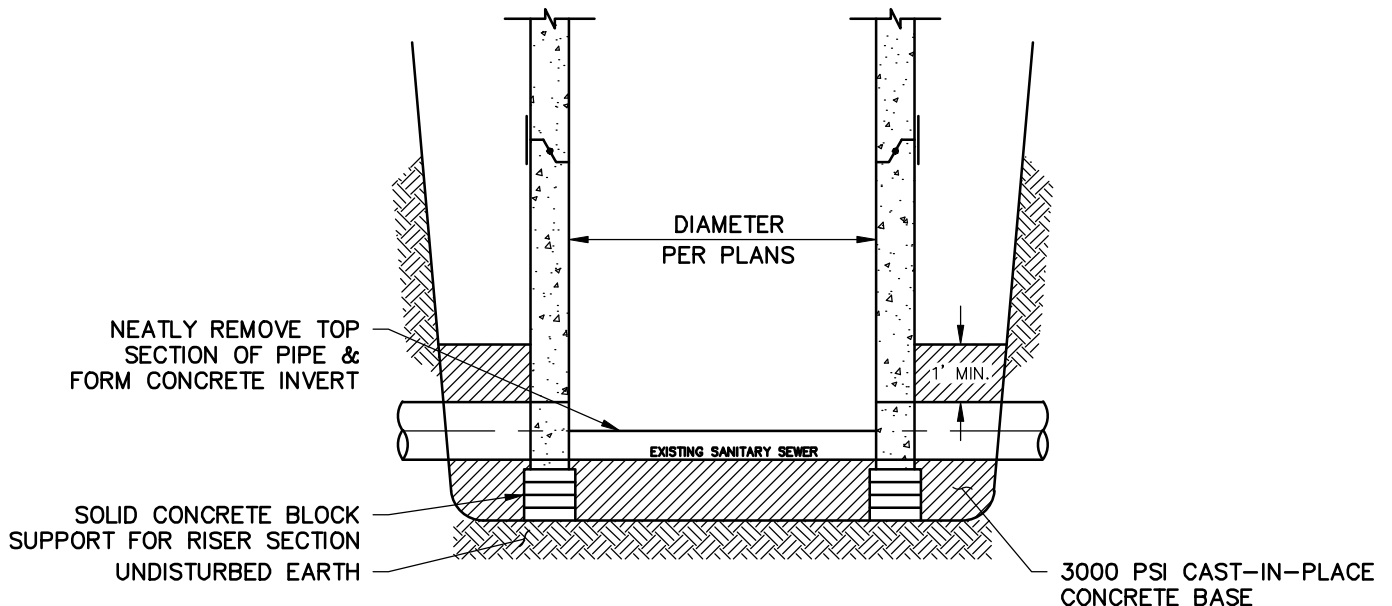
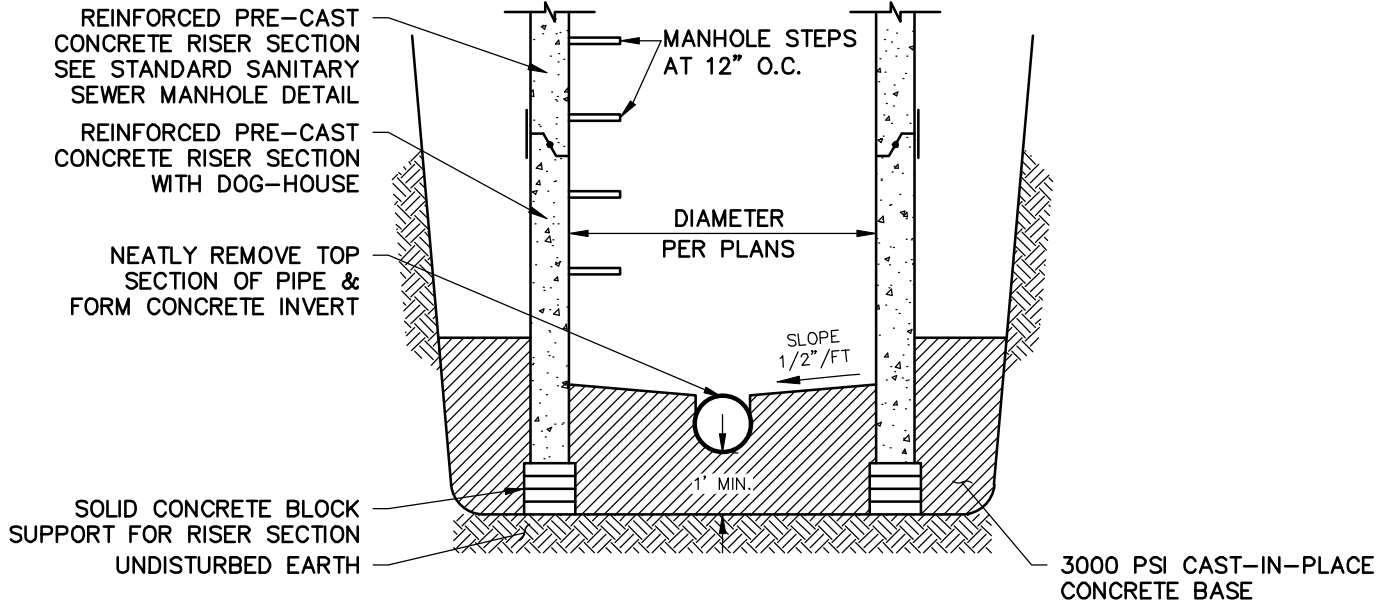
TOWN OF FARMINGTON

1000 County Road #8
Farmington, NY 14425

APPENDIX: **S - 4.2**

DATE: 2025

SCALE: N.T.S.



NOTES:

- USE FLEXOLITH GEL BY DURAL OR SIKADUR 33 BY SIKA EPOXY MORTAR TO FILL AROUND PIPE. NO SLEEVE REQUIRED.
- TAR SEAL ALL EXPOSED INTERIOR/EXTERIOR MANHOLE SURFACES AFTER PLACEMENT OF CONCRETE, AND EPOXY BENCH WALLS.
- CONTRACTOR WILL BE RESPONSIBLE FOR MAINTENANCE OF SEWER DURING CONSTRUCTION.

DOG-HOUSE SANITARY SEWER MANHOLE

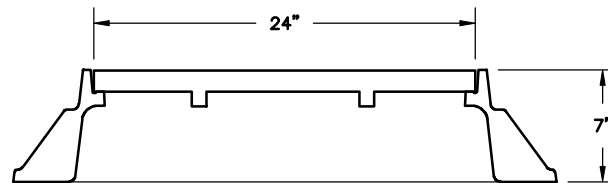
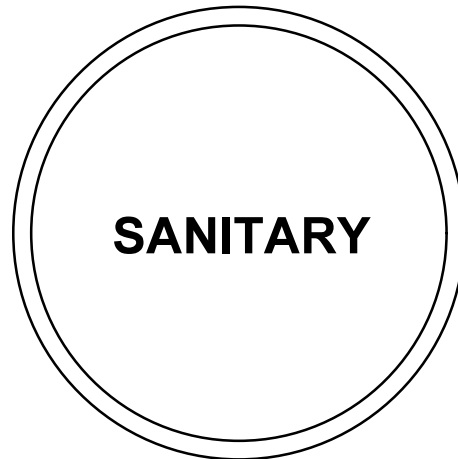
TOWN OF
FARMINGTON

1000 County Road #8
Farmington, NY 14425

APPENDIX: **S - 5.0**

DATE: 2025

SCALE: N.T.S.



NOTES:

1. THE WORD "SANITARY" IN LETTERS NOT LESS THAN TWO (2) INCHES HIGH SHALL BE STAMPED OR CAST INTO ALL SANITARY MANHOLE COVERS AS TO BE PLAINLY VISIBLE.
2. MANHOLE FRAME AND COVER SHALL BE SET IN MORTAR BED WITH MORTAR FILLET ALL AROUND.
3. STANDARD CAST IRON FRAME AND COVER SHALL BE USED UNLESS OTHERWISE SPECIFIED BY THE SEWER SUPERINTENDENT FOR THE FOLLOWING CONDITIONS:
 - STANDARD FRAME AND COVER: EJ 1310 SERIES
 - AREAS PRONE TO FLOODING OR STANDING WATER: EJ 24" COMPRESSION WATERTIGHT FRAME AND COVER ASSEMBLY
 - PAVED SURFACES (ROADS, DRIVEWAYS, ETC.): EJ 24" SELFLEVEL ASPHALT ACCESS ASSEMBLY

SANITARY SEWER MANHOLE
FRAME AND COVER DETAIL

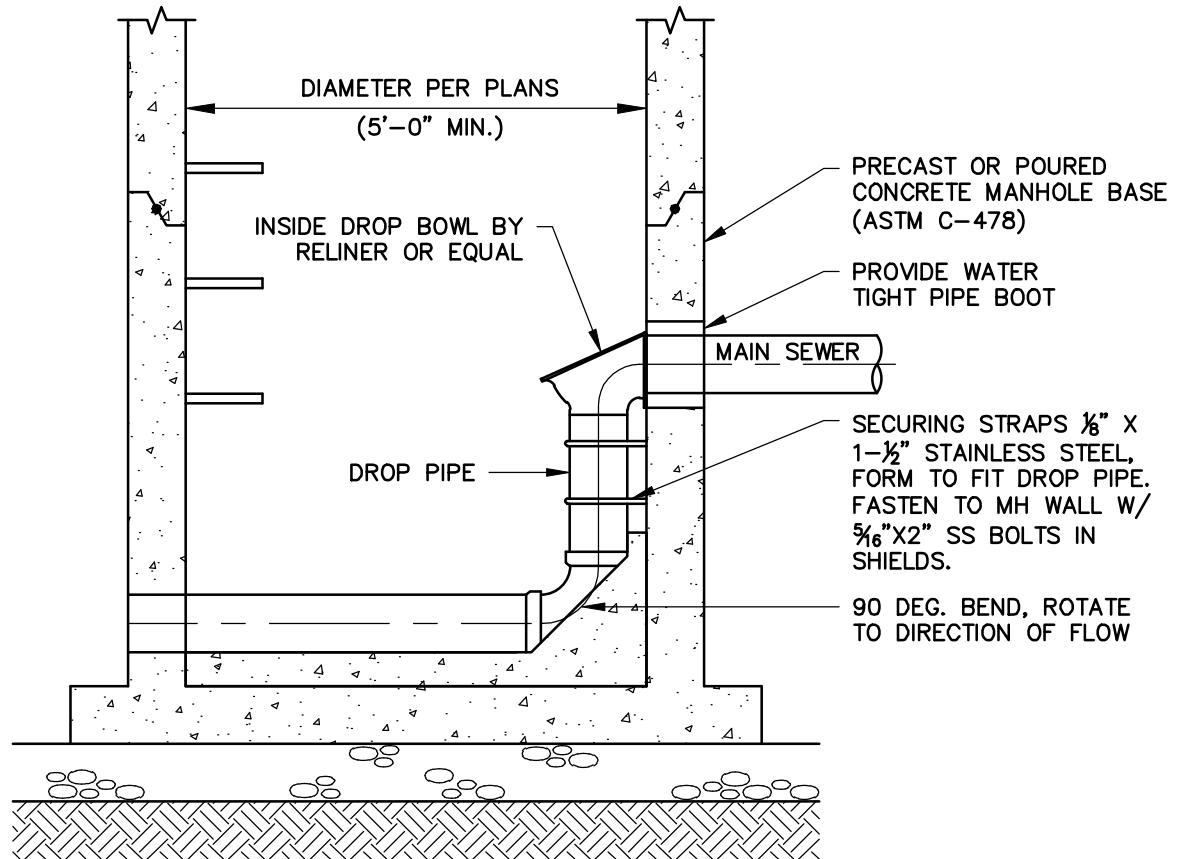
TOWN OF
FARMINGTON

1000 County Road #8
Farmington, NY 14425

APPENDIX: **S - 6.0**

DATE: 2025

SCALE: N.T.S.



NOTES:

1. SEWER MAIN AND DROP PIPE SHALL BE THE SAME SIZE.
2. SEE SANITARY SEWER MANHOLE DETAIL FOR ALL OTHER CONSTRUCTION FEATURES NOT SHOWN.
3. BOWL SHALL BE INSTALLED PER MANUFACTURES RECOMMENDATION

SANITARY SEWER INSIDE DROP CONNECTION

TOWN OF FARMINGTON

1000 County Road #8
Farmington, NY 14425

APPENDIX: **S - 7.0**

DATE: 2025

SCALE: N.T.S.



GENERAL

ALL TESTING OF GRAVITY SEWERS SHALL BE COMPLETED UNDER THE OBSERVATION OF THE TOWN, OR REPRESENTATIVE OF THE TOWN. THE CONTRACTOR SHALL FURNISH ALL LABOR AND TESTING EQUIPMENT INCLUDING HOSES, PUMPS, PLUGS, TEMPORARY CONNECTIONS, GAUGES, ETC. NECESSARY TO PERFORM THE REQUIRED TESTS. WATER FOR CLEANING AND TESTING SHALL BE FURNISHED BY THE CONTRACTOR THROUGH A METERED CONNECTION AS SHOWN IN APPENDIX W.

CLEANING

EACH SECTION OF GRAVITY SEWER SHALL BE FLUSHED TO REMOVE ALL SILT, SAND, GRAVEL AND OTHER DEBRIS PRIOR TO TESTING. IF ANY SECTIONS OF PIPE CANNOT BE FLUSHED CLEAN, MECHANICAL METHODS SHALL BE USED TO DISLodge ANY DEPOSITS IN THE PIPE.

TELEVISIONING

ALL SECTIONS OF GRAVITY SEWER MUST BE TELEVISIONED WITH FOOTAGE PROVIDED TO THE TOWN (CD, FLASH DRIVE, ETC.). FOOTAGE SHALL BE CLEARLY LABELED FOR EACH MANHOLE-TO-MANHOLE SECTION WITH DIGITAL REFERENCES SHOWING THE EXACT LOCATION OF EACH SANITARY WYE. CAMERA USED FOR TELEVISIONING SHALL BE CRAWLER/TRACTOR TYPE. TELEVISIONING IS REQUIRED PRIOR TO DEDICATION AND PRIOR TO THE MAINTENANCE BOND EXPIRING.

TESTING GRAVITY SEWERS

AIR TESTING MAY BE THE METHOD USED FOR THE FINAL ACCEPTANCE OF EACH SECTION OF GRAVITY SEWER UNLESS OTHERWISE DESIGNATED BY THE TOWN. GRAVITY SEWERS SHALL BE TESTED IN SECTIONS NOT EXCEEDING 1,000 FEET IN LENGTH. ANY SECTION OF GRAVITY SEWER WHICH DOES NOT GIVE SATISFACTORY TEST RESULTS MUST BE REPLACED AND RETESTED UNTIL A SATISFACTORY TEST IS COMPLETED.

A. AIR TEST

LOW PRESSURE AIR TEST MAY BE USED TO TEST A SECTION OF SEWER PIPE OR LOCATE AREAS REQUIRING REPLACEMENT. THE FOLLOWING PROCEDURES SHALL BE USED FOR LOW PRESSURE AIR TEST.

1. THE TEST SHALL BE CONDUCTED BETWEEN TWO (2) CONSECUTIVE MANHOLES.
2. THE TEST SECTION OF THE SEWER LINE SHALL BE PLUGGED AT EACH END. ONE OF THE PLUGS USED AT THE MANHOLE MUST BE TAPPED AND EQUIPPED FOR THE AIR INLET CONNECTION FOR FILLING THE LINE FROM THE AIR COMPRESSOR.
3. ALL SERVICE LATERALS, STUBS, AND FITTINGS IN THE SEWER TEST SECTION SHALL BE PROPERLY CAPPED OR PLUGGED AND CAREFULLY BRACED AGAINST THE INTERNAL PRESSURE TO PREVENT AIR LEAKAGE BY SLIPPAGE AND BLOWOUTS.
4. SUPPLY AIR TO THE TEST SECTION SLOWLY, FILLING THE PIPE LINE UNTIL A CONSTANT PRESSURE OF 4.0 PSIG IS MAINTAINED. THE AIR PRESSURE SHALL BE REGULATED TO PREVENT THE PRESSURE INSIDE THE PIPE FROM EXCEEDING 5.0 PSIG.
5. WHEN CONSTANT PRESSURE OF 4.0 PSIG IS REACHED, THROTTLE THE AIR SUPPLY TO MAINTAIN THE INTERNAL PRESSURE ABOVE 3.5 PSIG FOR AT LEAST FIVE (5) MINUTES. THIS TIME PERMITS THE TEMPERATURE OF THE ENTERING AIR TO EQUALIZE WITH THE TEMPERATURE OF THE PIPE WALL.

CLEANING AND TESTING OF SANITARY SEWERS

(GENERAL / CLEANING / TESTING)

TOWN OF FARMINGTON

1000 County Road #8
Farmington, NY 14425

APPENDIX: **S - 7.1**

DATE: 2025

SCALE: N.T.S.



TEMPERATURE OF THE ENTERING AIR TO EQUALIZE WITH THE TEMPERATURE OF THE PIPE WALL.

6. AFTER THE STABILIZATION PERIOD, THE AIR PRESSURE SHALL BE ADJUSTED TO 4.0 PSIG AND THE AIR SUPPLY DISCONNECTED. AT 4.0 PSIG COMMENCE TIMING WITH A STOP WATCH WHICH IS ALLOWED TO RUN UNTIL THE LINE PRESSURE DROPS TO 3.5 PSIG AT WHICH TIME THE STOP WATCH SHALL BE STOPPED. THE TIME REQUIRED FOR A PRESSURE LOSS OF 0.5 PSIG SHALL BE COMPARED TO THE FOLLOWING CHART. ANY TIME WHICH IS LESS THAN SHOWN IN THE FOLLOWING TABLE SHALL BE CAUSE FOR REJECTION:

TIME REQUIREMENTS FOR AIR TESTING

<u>PIPE SIZE</u>	<u>TIME</u>
4"	2 MIN 32 SEC
6"	3 MIN 50 SEC
8"	5 MIN 06 SEC
10"	6 MIN 22 SEC
12"	7 MIN 39 SEC
15"	9 MIN 35 SEC
18"	11 MIN 34 SEC
21"	13 MIN 30 SEC

FOR LARGER DIAMETER PIPE: $\text{MIN. TIME (SECONDS)} = 462 \times \text{PIPE DIAMETER IN FEET}$

7. AN AIR PRESSURE CORRECTION SHALL BE REQUIRED WHEN THE PREVAILING GROUND WATER IS ABOVE THE SEWER LINE BEING TESTED. UNDER THIS CONDITION, THE AIR TEST PRESSURE SHALL BE INCREASED TO 0.433 PSIG FOR EACH FOOT THE GROUND WATER LEVEL IS ABOVE THE INVERT OF THE PIPE.
- B. WATER TESTS

LEAKAGE OR INFILTRATION SHALL NOT EXCEED 100 GALLONS PER INCH DIAMETER PER MILE PER DAY FOR ANY SECTION TESTED. LEAKAGE TESTS SHALL BE CONDUCTED WITH A POSITIVE HEAD OF 10 FT. OVER THE PIPE INVERT FOR A PERIOD OF 24 HOURS.

TESTING FORCEMAINS

SANITARY SEWER FORCEMAINS SHALL BE TESTED AT 100 PSIG FOR A DURATION OF 1-HOUR. ALLOWABLE LEAKAGE SHALL BE AS FOLLOWS:

<u>PIPE SIZE</u>	<u>ALLOWABLE LEAKAGE (GAL/HR/100 LF OF PIPE)</u>
4"	0.030
6"	0.045

TESTING MANHOLES

EACH MANHOLE SHALL BE SUBJECTED TO AN INFILTRATION OR EXFILTRATION TEST AS DETERMINED BY THE TOWN.

- A. WATER TESTING: EACH MANHOLE SHALL BE FILLED WITH A MAXIMUM OF 10 FEET OF WATER, SUBJECTED TO A 24 HOUR TEST AND SHOW A LOSS OF WATER NOT TO EXCEED 15 GALLONS PER 24 HOURS FOR A 4-FOOT INSIDE DIAMETER MANHOLE. INFILTRATION TESTS SHALL ADHERE TO THE SAME LIMITS.
- B. VACUUM TESTING: EACH MANHOLE SHALL BE SUBJECTED TO A VACUUM OF 10 INCHES OF Hg FOR ONE MINUTE WITH AN ALLOWABLE LOSS OF 1 INCH OF Hg.

CLEANING AND TESTING OF SANITARY SEWERS

(TIME REQ. / FORCEMAINS / MANHOLES)

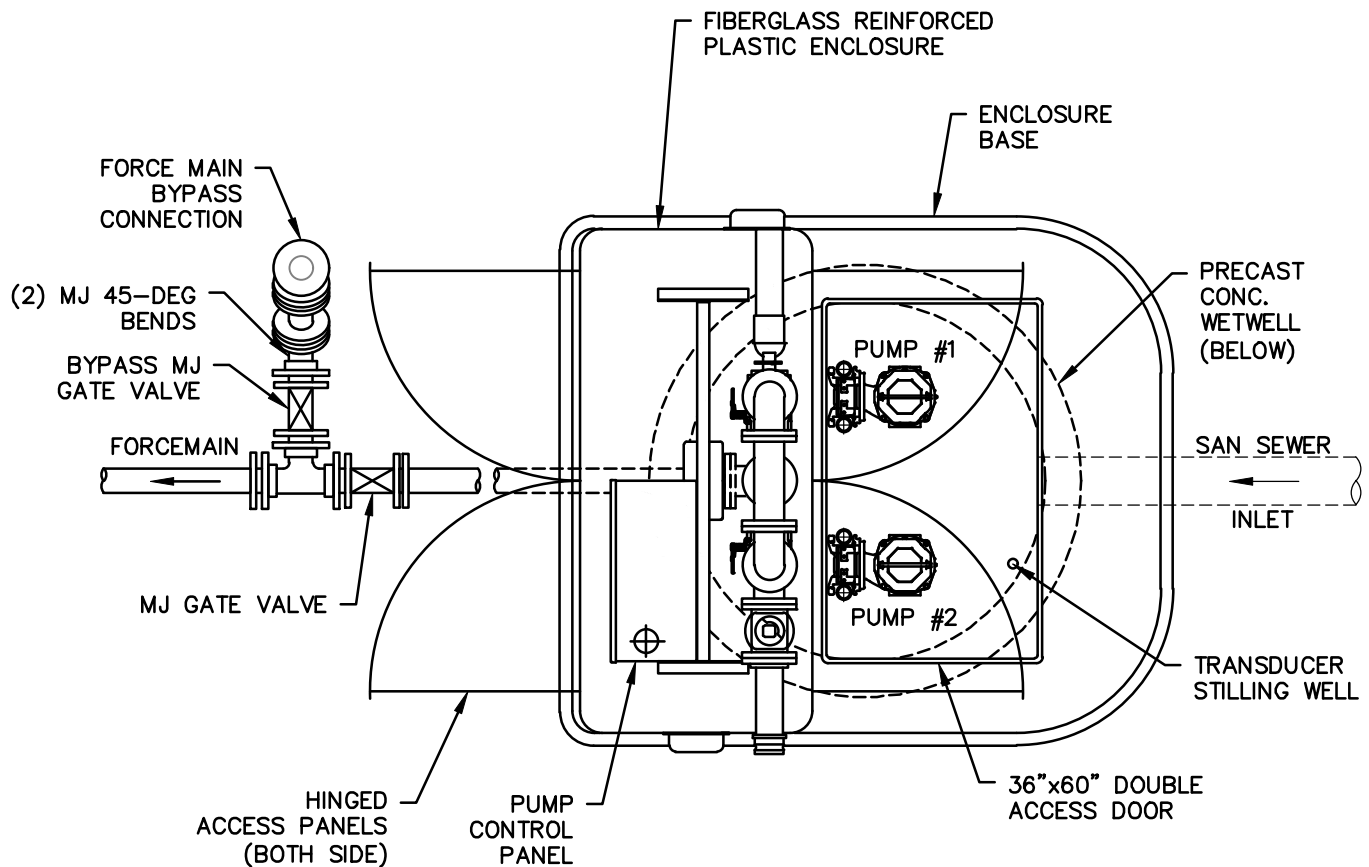
TOWN OF FARMINGTON

1000 County Road #8
Farmington, NY 14425

APPENDIX: **S - 8.0**

DATE: 2025

SCALE: N.T.S.



NOTES:

1. WETWELL TO BE INSTALLED IN CONFORMANCE W/ DETAIL FOR STANDARD SANITARY MANHOLE.
2. ALL HARDWARE, SUPPORTS, & BRACKETS INSTALLED WITHIN THE WETWELL SHALL BE 304 SS. DISSIMILAR METALS SHALL BE ISOLATED USING NYLON WASHERS.
3. PROVIDE REDUNDANT LEVEL CONTROL FOR ALL SPECIFIED OPERATION POINTS.
4. ALL DIP INSTALLED WITHIN THE WETWELL SHALL BE CL 53 DIP.

HIGH FLOW PUMP STATION

(>100 GPM)

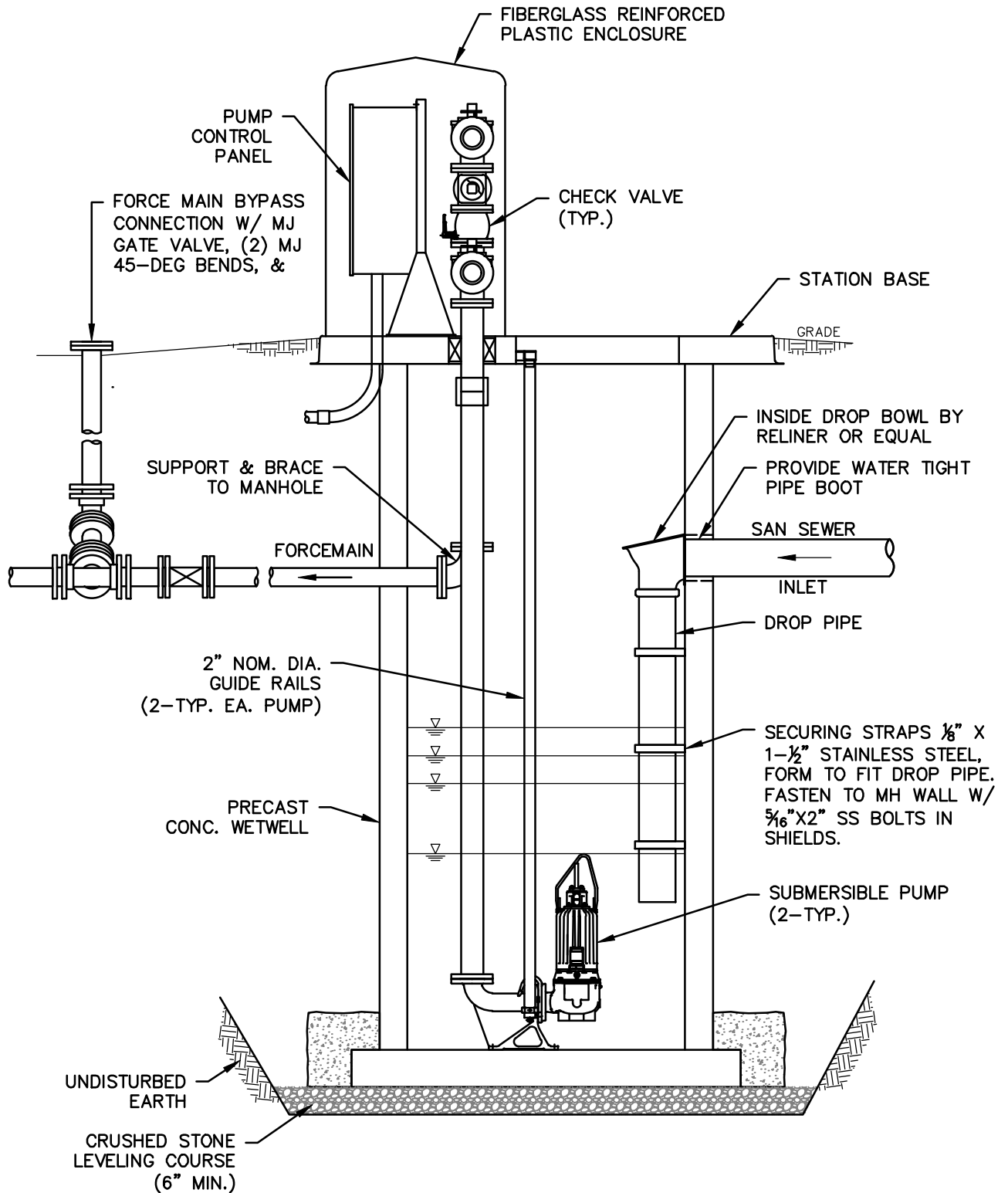
TOWN OF FARMINGTON

1000 County Road #8
Farmington, NY 14425

APPENDIX: **S - 8.1**

DATE: 2025

SCALE: N.T.S.



HIGH FLOW PUMP STATION

(SECTION)

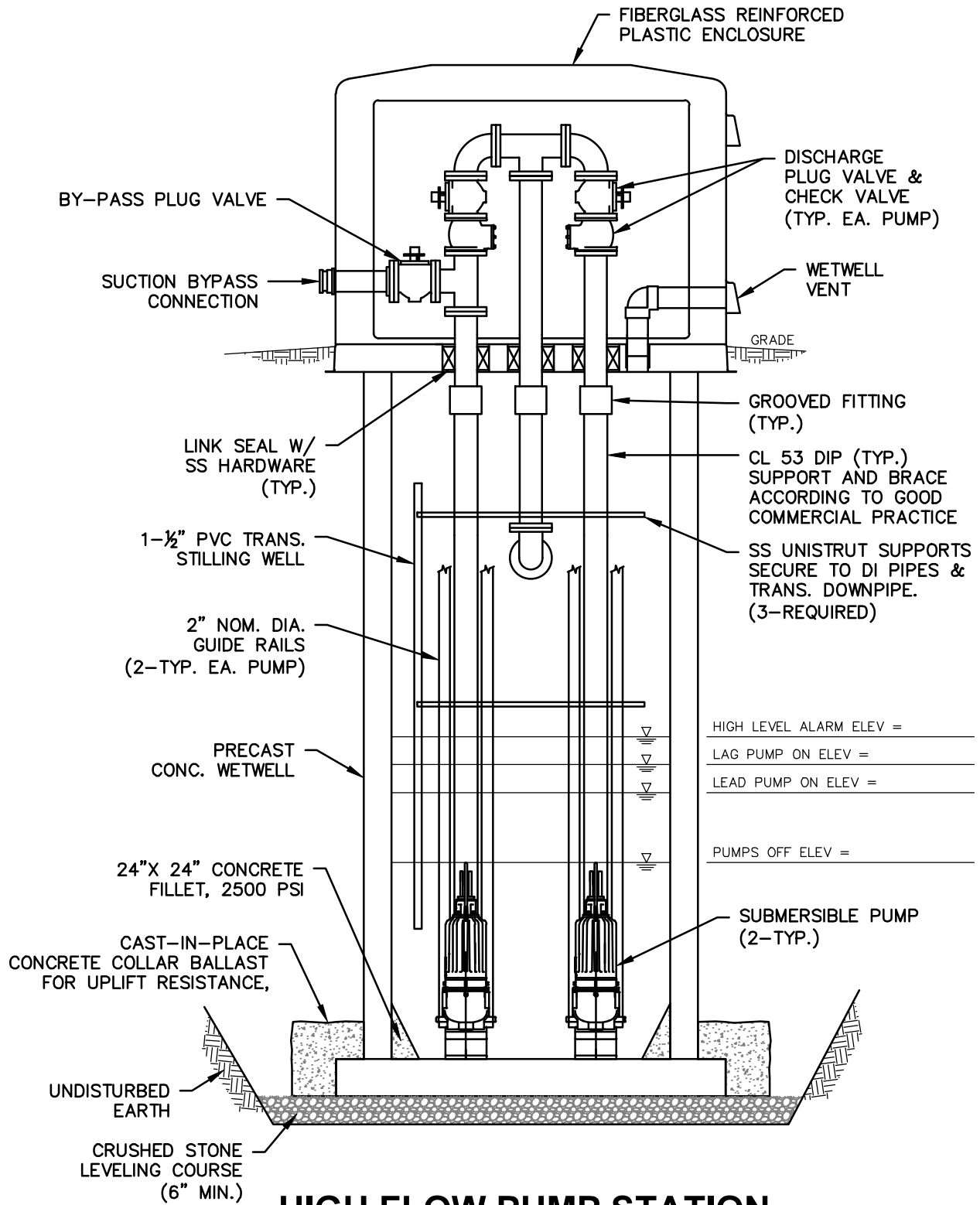
TOWN OF FARMINGTON

1000 County Road #8
Farmington, NY 14425

APPENDIX: **S - 8.2**

DATE: 2025

SCALE: N.T.S.



HIGH FLOW PUMP STATION
(SECTION)

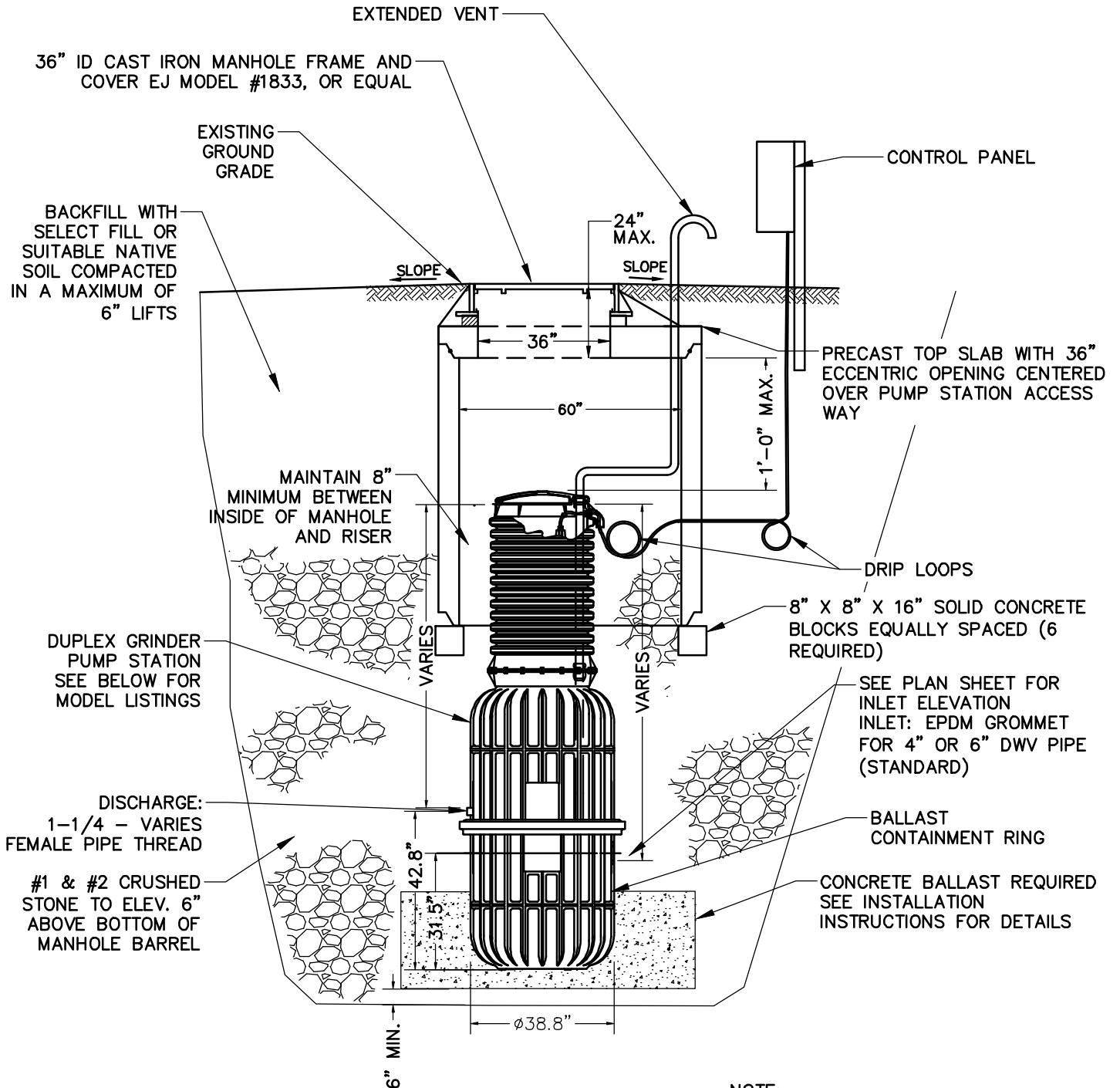
TOWN OF FARMINGTON

1000 County Road #8
Farmington, NY 14425

APPENDIX: **S - 9.0**

DATE: 2025

SCALE: N.T.S.



DUPLIX GRINDER PUMP STATION MODELS:
DH152/DR152 FOR 3000 GPD
DH272/DR272 FOR 5000 GPD
DH502/DR502 FOR 6000 GPD

NOTE:
PROVIDE COMBINATION DOUBLE CHECK
VALVE / ISOLATION VALVE ON
DISCHARGE

LOW FLOW PUMP STATION

(<100 GPM)

TOWN OF
FARMINGTON

1000 County Road #8
Farmington, NY 14425

APPENDIX: **S - 10.0**

DATE: 2025

SCALE: N.T.S.



THE FOLLOWING ARE REQUIREMENTS FOR PUMP STATIONS:

THIS PAGE IS TO BE ADDED TO THE MAP INCLUDING THE CONTROL PANEL AND PUMP STATION

1. SEWAGE LIFT STATION BY THE GORMAN-RUPP COMPANY (MODEL No. REQUIRED).
EXAMPLE: MODEL SFV3A-X 3 HP MOTORS.
2. STAINLESS STEEL CONTROL PANEL IN CONFORMANCE OF APPLICABLE SECTION OF NATIONAL ELECTRICAL MANUFACTURERS ASSOCIATION (NEMA) STANDARDS FOR TYPE 4 ELECTRICAL ENCLOSURES FOR INCOMING POWER, MOTOR, AND LIQUID CONTROLS, AS REQUIRED BY TOWN DEPARTMENT.
3. THE CONTROLLER TO BE FLYGT MULTISMART SYSTEM
4. THE SYSTEM SHALL HAVE THE FOLLOWING MONITORING CAPABILITIES:
 - a. WELL LEVEL
 - b. WELL LEVEL HIGH AND LOW ALARMS
 - c. AC POWER FAILURE
 - d. WELL DRAW DOWN RATE (USING WEB BASED RATE OF CHANGE SET POINTS)
 - e. PUMP 1 & 2 CURRENT DRAW (WITH SENSE TOROID OPTION)
 - f. PUMP 1 & 2 ON/OFF CYCLES
 - g. PUMP 1 & 2 RUN TIME
 - h. PUMP 1 & 2 FAILURE
 - i. PUMP 1 & 2 ON/OFF AUTOMATIC PUMP CONTROL FROM WELL(S) LEVEL(S)
 - j. RAINFALL (IF CONNECTED TO AN EXTERNAL RAIN GAUGE)
 - k. TIME STAMPS OF WHEN RAIN EVENTS OCCURRED
 - l. ALARM NOTIFICATION VIA E-MAIL, PAGER, TEXT, VOICE ALERTS
 - m. HISTORICAL LOG SHOWING ALL ALARM HISTORY AND CONTINUOUS WATER LEVEL – UP TO THREE YEARS DATA ON-LINE.

PUMP STATION NOTES AND REQUIREMENTS

LIST OF APPENDICES

STORM SEWER DETAILS

ST – 1.0	SWPPP Storm Water Permit Process
ST – 2.0	MS4 Stormwater Pollution Prevention Plan (SWPPP) Acceptance Form (Page 1 of 2)
ST – 2.1	MS4 Stormwater Pollution Prevention Plan (SWPPP) Acceptance Form (Page 2 of 2)
ST – 3.0	Storm Water Pollution Prevention Plan – Notes
ST – 3.1	Storm Water Pollution Prevention Plan – Notes (Continued)
ST – 3.2	Small Site Erosion Control Sequence
ST – 4.0	Catch Basin Detail
ST – 5.0	Storm Sewer and Catch Basin Manhole
ST – 6.0	Gutter and Catch Basin Apron Detail
ST – 7.0	Stormwater Maintenance Agreement (Page 1 of 4)
ST – 7.1	Stormwater Maintenance Agreement (Page 2 of 4)
ST – 7.2	Stormwater Maintenance Agreement (Page 3 of 4)
ST – 7.3	Stormwater Maintenance Agreement (Page 4 of 4)
ST – 8.0	Stormwater Site Observation Report
ST – 9.0	MS4 Note Block
ST – 10.0	Storm Lateral Detail

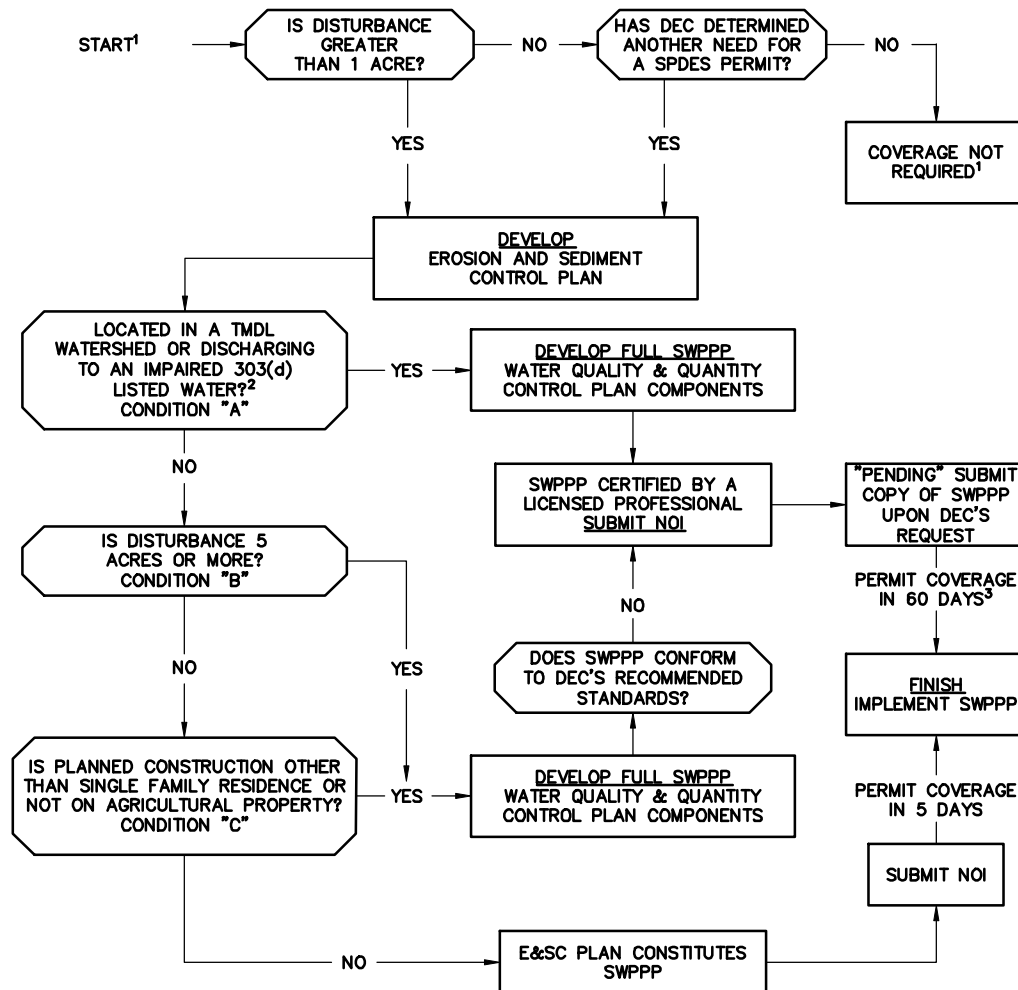
TOWN OF FARMINGTON

1000 County Road #8
Farmington, NY 14425

APPENDIX: **ST - 1.0**

DATE: 2025

SCALE: N.T.S.



NOTES:

1. UNDER ANY OF THE ABOVE CONDITIONS OTHER ENVIRONMENTAL PERMITS MAY BE REQUIRED. DEC MAY REQUIRE PERMIT FOR CONSTRUCTION DISTURBANCE < 1 ACRES ON A CASE BY CASE BASIS.
2. AND THE FOLLOWING EXISTS: CONSTRUCTION AND/OR STORMWATER DISCHARGES FROM THE CONSTRUCTION OR POST-CONSTRUCTION SITE CONTAIN THE POLLUTANT OF CONCERN IDENTIFIED IN THE TMDL OR 303(d) LISTING.
3. AFTER RECEIPT BY DEC OF COMPLETED APPLICATION.

SWPPP STORM WATER PERMIT PROCESS

TOWN OF FARMINGTON

1000 County Road #8
Farmington, NY 14425

APPENDIX: **ST - 2.0**

DATE: 2025

SCALE: N.T.S.



Department of
Environmental
Conservation

NYS Department of Environmental Conservation
Division of Water
625 Broadway, 4th Floor
Albany, New York 12233-3505

MS4 Stormwater Pollution Prevention Plan (SWPPP) Acceptance Form

for

Construction Activities Seeking Authorization Under SPDES General Permit

*(NOTE: Attach Completed Form to Notice Of Intent and Submit to Address Above)

I. Project Owner/Operator Information
1. Owner/Operator Name:
2. Contact Person:
3. Street Address:
4. City/State/Zip:
II. Project Site Information
5. Project/Site Name:
6. Street Address:
7. City/State/Zip:
III. Stormwater Pollution Prevention Plan (SWPPP) Review and Acceptance Information
8. SWPPP Reviewed by:
9. Title/Position:
10. Date Final SWPPP Reviewed and Accepted:
IV. Regulated MS4 Information
11. Name of MS4:
12. MS4 SPDES Permit Identification Number: NYR20A
13. Contact Person:
14. Street Address:
15. City/State/Zip:
16. Telephone Number:

TOWN OF
FARMINGTON

1000 County Road #8
Farmington, NY 14425

APPENDIX: **ST - 2.1**

DATE: 2025

SCALE: N.T.S.



MS4 SWPPP Acceptance Form - continued

V. Certification Statement - MS4 Official (principal executive officer or ranking elected official) or Duly Authorized Representative

I hereby certify that the final Stormwater Pollution Prevention Plan (SWPPP) for the construction project identified in question 5 has been reviewed and meets the substantive requirements in the SPDES General Permit For Stormwater Discharges from Municipal Separate Storm Sewer Systems (MS4s).
Note: The MS4, through the acceptance of the SWPPP, assumes no responsibility for the accuracy and adequacy of the design included in the SWPPP. In addition, review and acceptance of the SWPPP by the MS4 does not relieve the owner/operator or their SWPPP preparer of responsibility or liability for errors or omissions in the plan.

Printed Name:

Title/Position:

Signature:

Date:

VI. Additional Information

(NYS DEC - MS4 SWPPP Acceptance Form - January 2015)

TOWN OF FARMINGTON

1000 County Road #8
Farmington, NY 14425

APPENDIX: **ST - 3.0**

DATE: 2025

SCALE: N.T.S.



The Town of Farmington requires the following notes to be added to the Plans:

1. All improvements shall be in accordance with the most recent standards and specifications of the Town of Farmington MS4 requirements and the appropriate water/sewer agencies, unless otherwise noted.
2. A Stormwater Pollution Prevention Plan (SWPPP) will be prepared for this site to conform with New York State Department of Environmental Conservation (NYSDEC) General Permit GP-0-20-001 or latest version thereof and to the requirements of local authorities regarding the maintenance and control of stormwater quality and quantity. The Pollution Prevention Plan will consist of the project plans, the Stormwater Management Plan, soil erosion and sedimentation control specification regarding stormwater control.
3. The owner will be responsible for implementing the required SWPPP, including the filing of a "Notice of Intent", receiving a signed MS4 SWPPP Acceptance Form, and if necessary a 5-acre waiver from the Town of Farmington prior to construction starting. The owner, his contractor, sub-contractors and all others associated with the implementation of this plan shall be familiar with and certify the plan and the conditions of the NYSDEC General Permit GP-0-20-001 or latest version thereof for the stormwater discharges from construction activities.
4. Any modifications or deviations from the SWPPP, including implementation of erosion control measures and stormwater management areas, shall be documented by the owner with the engineer and the Town of Farmington.
5. The owner shall be responsible for providing on-site inspections by a licensed professional of construction erosion control during construction. If the site is over 5 acres of disturbance, inspections are to be conducted twice per week (separated by a minimum of two days). If the site is under 5 acres of disturbance, inspections are to be conducted once per week. An inspection report log is to be kept on-site by the owner with the approved SWPPP. SWPPP inspection reports are to be forwarded to the Town CEO, Construction Inspector and Town's engineering firm, MRB Group, D.P.C.
6. Maps should include re-seeding instructions including materials and a timetable for various seeding:

- Where soil disturbance activities have temporarily or permanently ceased, apply stabilization measures by the end of the next business day and complete stabilization within:
 - 14 days if 5-acres or less, open disturbed area
 - 7 days if greater than 5-acres of open, disturbed area
 - 3 days if between November 15th and April 1st
- TEMPORARY SEEDING OF DISTURBED AREAS SHALL BE PROVIDED AS FOLLOWS:
The surface two inches of soil should be loosened by disking, raking, or back-blading with a bulldozer. Immediately fertilize with 300 pounds per acre (or 7 pounds per 1,000 square feet) of 10-10-10 fertilizer. Immediately seed with the following mix:

	PERCENTAGE%	*AT A RATE OF 5LBS PER 1,000 SQ FT
Annual Ryegrass	50%	
Perennial Ryegrass	50%	
Oats	10% (If available)	

Seed should have a germination rate of at least 85 percent and minimal inert material.

- R.O.W. AREAS SHALL BE TOPSOILED AND STABILIZED USING PERMANENT SEEDING MIX SHOWN BELOW UPON COMPLETION OF RG&E UTILITIES, SIDEWALKS, AND FINE GRADING:

	LBS/Acre	% BY PURITY	% GERM
'Pennfine' Perennial Rye Grass	35	85	85
'Pennlawn' Red Fescue	35	97	80
'Baron' and 'Midnight' Kentucky Bluegrass	30	85	80

Seeding Rate: 6.0 pounds per 1,000 square feet
 Mulch: Straw or wood fiber mulch used with hydro seeding method at two tons per acre with trackifier, at the Town Inspector's discretion
 Starting Fertilizer: 5:10:10 at 20 pounds per 1,000 square feet.

- For fall or early winter, seed with certified "arostock" winter rye (cereal rye) at 100 pounds per acre.
- Permanent stabilization for steep slopes 3:1 or greater shall include Jute Mesh blanket and Crown Vetch seed with perennial ryegrass.

STORM WATER POLLUTION PREVENTION PLAN NOTES

TOWN OF
FARMINGTON

1000 County Road #8
Farmington, NY 14425

APPENDIX: **ST - 3.1**

DATE: 2025

SCALE: N.T.S.



The Town of Farmington requires the following notes to be added to the Plans:

7. All disturbed areas to remain pervious (i.e., lawns) shall receive soil restoration in accordance with the NYS Standards and Specifications for Erosion and Sediment Control.
8. The contractor shall locate, mark, safeguard and preserve all survey control monuments and right-of-way monuments in the areas of construction.
9. Dust shall be controlled during construction by the contractor to minimize effect on the adjacent properties. The contractor shall implement dust control measures as needed and/or as directed by the Town of Farmington.
10. The owner's contractor shall be responsible for the establishment, maintenance, cleaning, repair and replacement of erosion control measures during site construction.
11. Roadways and gutters shall be cleaned regularly to prevent sediment buildup. Material storage and stockpiles shall not be located over sidewalks or within roadways.
12. Trenches shall not be used for erosion and sediment control. Straw bales shall not be used in place of silt fence or compost filter sock.

STORM WATER POLLUTION PREVENTION PLAN NOTES

(CONTINUED FROM ST - 3.0)

TOWN OF
FARMINGTON

1000 County Road #8
Farmington, NY 14425

APPENDIX: **ST - 3.2**

DATE: 2025

SCALE: N.T.S.



Small Site/Project Sequence of Construction:

Sequence – For small projects where no SWPPP is required, the contractor shall install erosion & sediment control measures in the following sequence. Construction sequences may be altered through the site plan review process and at the pre –construction meeting (if such a meeting is required):

- Install perimeter sediment controls, (i.e. erosion fencing).
- Install stabilized construction entrance.
- Protect vegetation to remain.
- Clear grub and construct diversionary swales, sediment basins, traps and other temporary measures.
- Complete clearing and grubbing operation.
- Install stormwater management facilities.
- Strip topsoil and provide erosion control measures around stockpiles locations.
- Maintain erosion control measures and place additional measures as earthwork and underground utilities are constructed.
- Restore areas as defined by contract documents.
- Remove erosion control measures as areas are reestablished with ground cover, once inspected by the Town.
- If site preparations occur between November 15 and April 1, additional erosion controls must be taken including reducing the size of disturbed areas and placing heavy straw mulch where practical.

SMALL SITE EROSION CONTROL SEQUENCE

(CONTINUED FROM ST - 3.1)

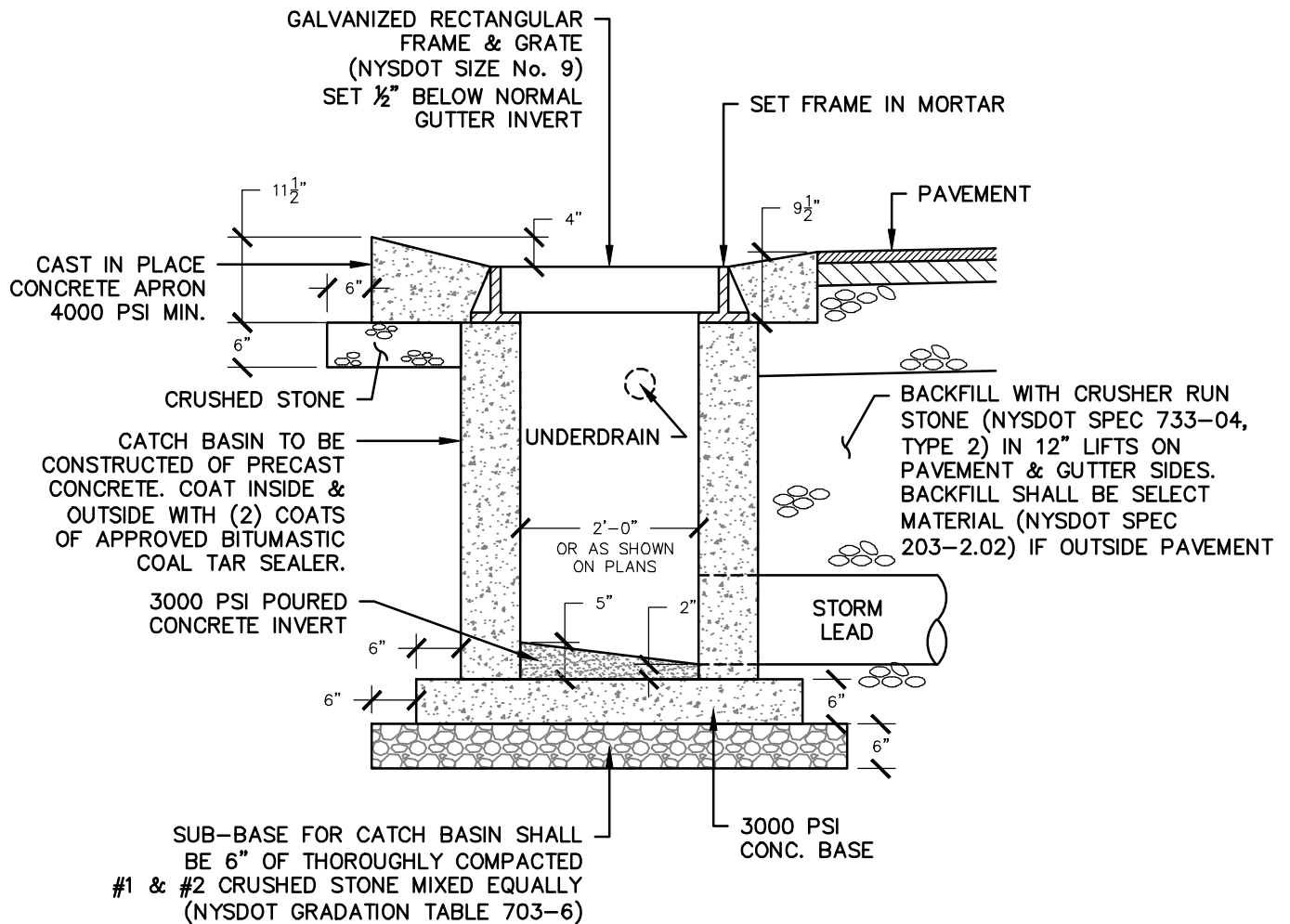
TOWN OF FARMINGTON

1000 County Road #8
Farmington, NY 14425

APPENDIX: **ST - 4.0**

DATE: 2025

SCALE: N.T.S.



NOTES:

1. TOWN MAY REQUIRE A 6" SUMP AT THE TOWN'S OPTION.

CATCH BASIN DETAIL

TOWN OF FARMINGTON

1000 County Road #8
Farmington, NY 14425

APPENDIX: **ST - 5.0**

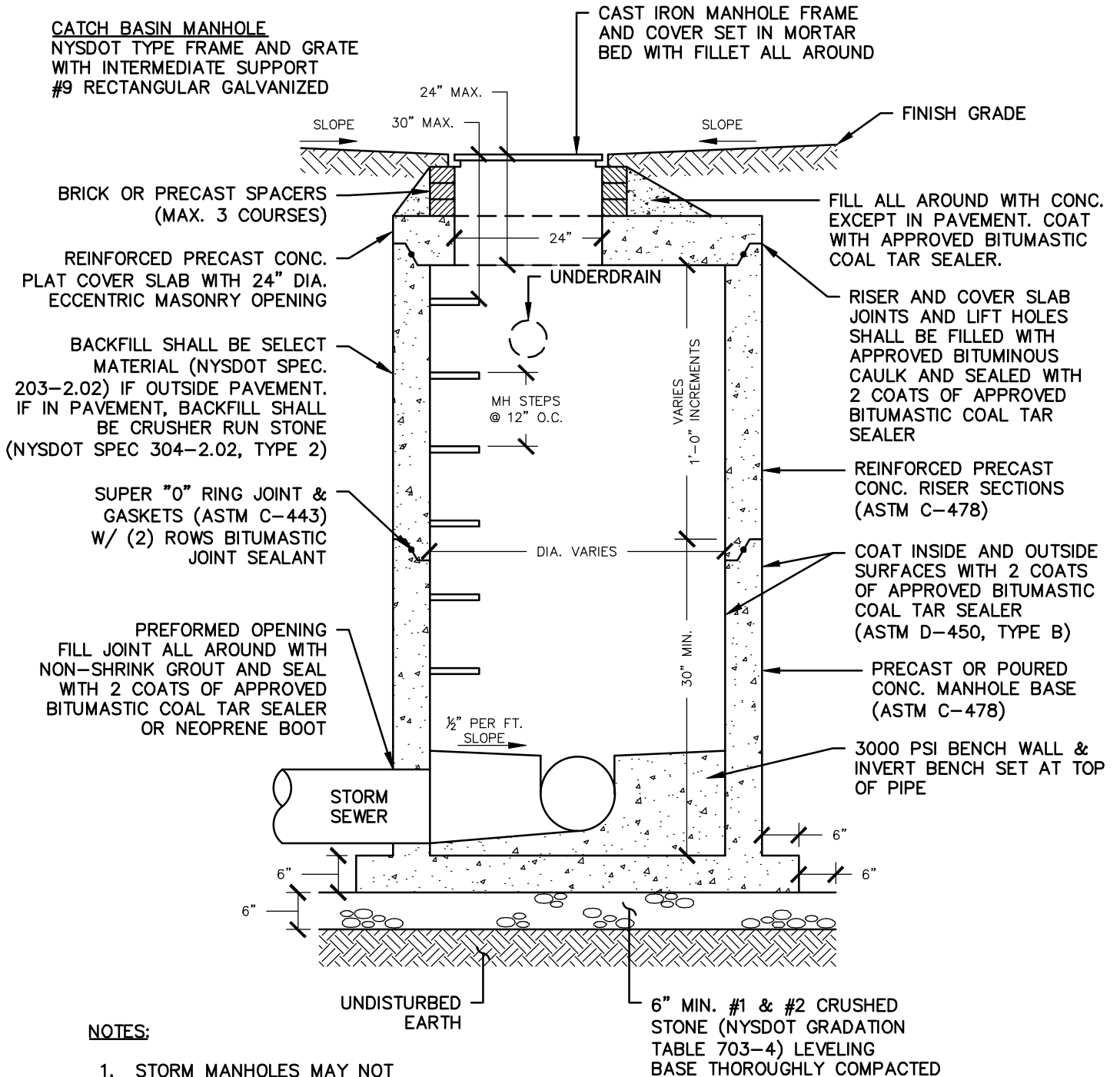
DATE: 2025

SCALE: N.T.S.



STANDARD STORM MANHOLE
C.I. FRAME & COVER SET IN MORTAR BED
AND MANHOLE COVERS STAMPED "STORM".

CATCH BASIN MANHOLE
NYS DOT TYPE FRAME AND GRATE
WITH INTERMEDIATE SUPPORT
#9 RECTANGULAR GALVANIZED



NOTES:

1. STORM MANHOLES MAY NOT BE PLACED IN DRIVEWAYS

STORM SEWER AND CATCH BASIN MANHOLE

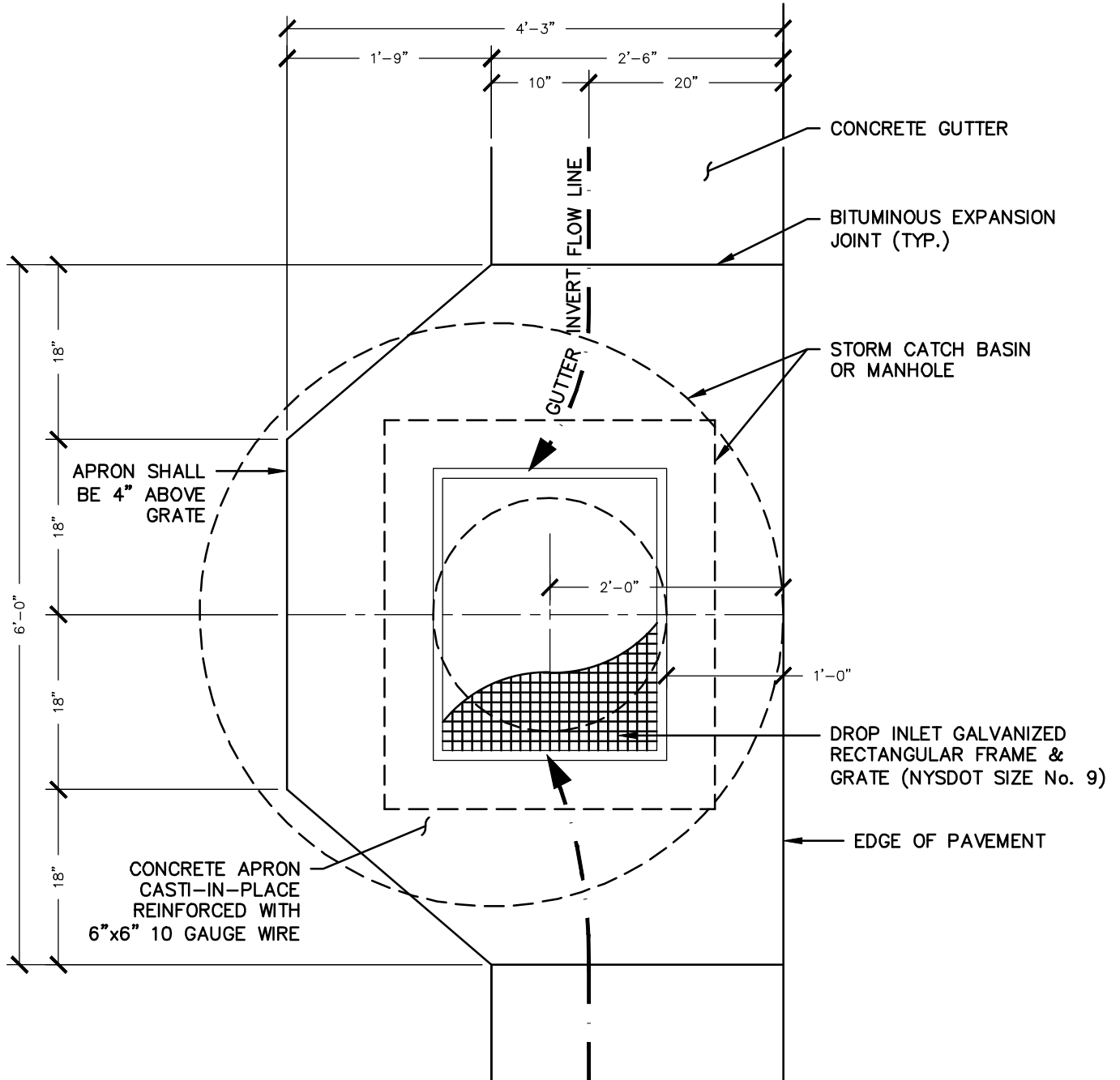
TOWN OF FARMINGTON

1000 County Road #8
Farmington, NY 14425

APPENDIX: **ST - 6.0**

DATE: 2025

SCALE: N.T.S.



NOTES:

1. CATCH BASINS SHOULD NOT BE PLACED IN DRIVEWAY AREAS OR IN FRONT OF DRIVEWAY AREAS.
2. SPECIAL DESIGN MAY BE REQUIRED FOR STEEP GRADE SECTIONS.

GUTTER AND CATCH BASIN APRON DETAIL

TOWN OF
FARMINGTON

1000 County Road #8
Farmington, NY 14425

APPENDIX: **ST - 7.0**

DATE: 2025

SCALE: N.T.S.



STORMWATER MAINTENANCE AGREEMENT

WHEREAS, the Town of Farmington (Town) and the _____ (Facility Owner) having an address of _____ want to enter into an agreement (this Agreement) to provide for the long term maintenance and continuation of permanent stormwater control facilities and measures approved by the Town for the project named below; and

WHEREAS, the Town and the Facility Owner desire that the permanent stormwater control facilities and measures, as detailed in the approved public record and site drawings entitled “_____” (Project), having drawing number(s) _____, prepared by _____ and last revised _____, (the “Plans”), to be built in accordance with the Plans and thereafter be maintained, cleaned, repaired, replaced, and continued in perpetuity in order to ensure optimum performance of the components. Reduced size versions of the Plans are attached hereto as Exhibit A. The Plans are on file in the Town Development Office.

Therefore, the Town and the Facility Owner agree as follows:

1. This Agreement binds the Town and the Facility Owner, its successors and assigns, to maintain the permanent stormwater control measures depicted on the Plans (as same may be amended), and as described in the approved Stormwater Pollution Prevention Plan (SWPPP) which are attached as Schedule A of this Agreement.
2. The Facility Owner shall maintain, clean, repair, replace and continue the stormwater control facilities and measures depicted on the Plans as necessary to ensure optimum performance of the measures to design specifications. If identified on the plans, the stormwater control measures shall include, but shall not be limited to, the following: drainage ditches, swales, dry wells, infiltrators, drop inlets, pipes, culverts, soil absorption devices, and retention ponds (collectively, the “Control Measures”).
3. The Facility Owner shall be responsible for all expenses related to the maintenance of the Control Measures, including inspections as required in Section 4.
4. The Facility Owner shall provide for the periodic inspection of the Control Measures, not less than once in every three-year period, to determine the condition and integrity of the Control Measures. The Facility Owner’s obligations to inspect the Control Measures under this Section 4 shall commence upon the issuance of the first certificate of occupancy for the project depicted on the Plans. Each inspection shall be performed by a Licensed Professional Engineer by the State of New York (the “Inspecting Engineer”), at the Facility Owner’s choosing. The Inspecting Engineer shall prepare and submit to the Municipality within 30 days of each inspection, a written report of the findings of his/her inspection including any recommendations necessary for the continued maintenance or repair of the Control Measures.
5. The Facility Owner shall grant Right of Entry to duly authorized representatives of the Town. Upon presentation of proper credentials, duly authorized representatives of the Town may enter at reasonable times upon the premises to inspect the implementation, condition or operation and maintenance of the Control Measures. The Facility Owner shall allow persons working on behalf of the Town ready access to all parts of the premises for the purposes of inspecting the Control Measures. Persons working on behalf of the Town shall have the right to temporarily locate, on any stormwater facility or Control Measure in the Town, such devices as are necessary to conduct monitoring and/or sampling of the discharges from such Control Measures.
6. Except in an emergency situation, or as permitted by Section 7 below, The Facility Owner shall not authorize, undertake, or permit any material alteration, abandonment, modification, or discontinuation of the Control Measures except in accordance with written approval of the Stormwater Management Program Coordinator. In the event of an emergency situation, the Facility Owner shall notify the Town as soon as reasonably possible. The notification shall include details regarding the nature of the emergency, the effects of this emergency on the Control Measures, the actions taken by the Facility Owner, and the current state of the Control Measures. An inspection shall be performed by the Inspecting Engineer within seven days after the emergency situation occurs. The Facility Owner shall be required to make any repairs or alterations recommended or requested by the Inspecting Engineer. The results of the inspection shall be reported to the Town.

TOWN OF FARMINGTON

1000 County Road #8
Farmington, NY 14425

APPENDIX: **ST - 7.1**

DATE: 2025

SCALE: N.T.S.



7. The Facility Owner shall undertake all necessary repairs, maintenance, or replacement of the Control Measures in accordance with the recommendations of the Inspecting Engineer, except to the extent such repairs, maintenance, or replacement are made necessary by the acts or omissions of the Town, including without limitation offsite grading. Such repair, maintenance, or replacement shall not require the approval of the Town.
8. This Agreement shall be recorded in the Office of the County Clerk, County of Ontario together with the deed for the common property, and shall be included in the offering plan and/or prospectus approved pursuant to _____.
9. If ever the Stormwater Management Program Coordinator determines that the Facility Owner has failed to construct, maintain, clean, repair, replace, and continue the Control Measures in accordance with the Plans or has failed to undertake necessary corrective action in accordance with Section 7 above, the Stormwater Management Program Coordinator shall give the Facility Owner written notice of such a default. In the event the Facility Owner fails to cure such default within thirty (30) days from its receipt of such notice, the Town is authorized to undertake such steps as reasonably necessary for the preservation, continuation, or maintenance of the Control Measures. The actual cost of such steps, plus a service charge of 50% thereof to cover the cost of supervision and administration shall be certified by the Town of Farmington Code Enforcement Officer to the Town Supervisor and such certified amount shall thereupon be charged and assessed against the Facility Owner and, if different, the owner of the property on which the Facility is located. The expense, so assessed, shall constitute a lien and charge on the real property on which it is levied until paid or otherwise satisfied or discharged and shall be collected in the same manner and at the same time as other Town taxes and charges.
10. The parties agree and acknowledge that this Agreement shall cover not only the Control Measures set forth on the Plans, but it also shall cover any alterations or modifications to the Plans that may be approved by the Stormwater Management Program Coordinator after the execution of this Agreement.
11. This Agreement shall be binding upon, and inure to the benefit of, the respective successors and permitted assigns of the parties. This Agreement shall not be assignable by the Town but may be assigned or transferred by the Facility Owner.
12. All notices required or permitted hereunder shall be in writing and shall be sent to the parties at the following addresses:

If to the Municipality: Stormwater Management Program Coordinator
Town of Farmington
1000 County Road 8
Farmington, New York 14425

If to the Facility Owner: _____

With copies to: _____

Any such notices may be sent by: (a) certified mail, return receipt requested, or
(b) a nationally recognized overnight courier

The above addresses may be changed by written notice to the other party. Any such notices shall be deemed effective upon receipts.

13. This Agreement sets forth all of the agreements, conditions, and understandings between the Town and the Facility Owner concerning the maintenance of the Control Measures and supersedes any and all prior agreements and understandings between the parties with respect thereto.
14. This Agreement shall be governed exclusively by the laws of the State of New York, without giving effect to choice of laws or choice of laws, rules or principles.

TOWN OF
FARMINGTON

1000 County Road #8
Farmington, NY 14425

APPENDIX: **ST - 7.2**

DATE: 2025

SCALE: N.T.S.



- 15. Issuance of the first certificate of occupancy or certificate of compliance for the project depicted on the Plans shall be deemed an acknowledgement by the Town that the Control Measures have been constructed in accordance with the Plans.
- 16. This Agreement may be executed in several counterparts, including by facsimile, each of which shall be an original and all of which shall constitute but one and the same instrument.
- 17. This Agreement may not be amended, changed, modified, altered, or terminated, except by an instrument in writing, signed by the parties hereto.
- 18. This Agreement is effective upon full execution by both parties.

The parties have entered into this Agreement on this _____ day of _____, 20__.

MUNICIPALITY
TOWN OF FARMINGTON, NY

By: _____
Title: _____
Date: _____

FACILITY OWNER

By: _____
Title: _____
Date: _____

[REMAINDER OF PAGE INTENTIONALLY BLANK]

TOWN OF
FARMINGTON

1000 County Road #8
Farmington, NY 14425

APPENDIX: **ST - 7.3**

DATE: 2025

SCALE: N.T.S.



State of New York)
County of Ontario) ss.:

On the ____ day of _____ in the year ____ before me, the undersigned, personally appeared _____, personally known to me or proved to me on the basis of satisfactory evidence to be the individual(s) whose name(s) is (are) subscribed to the within instrument and acknowledge to me that he/she/they executed the same in his/her/their capacity(ies), and that by his/her/their signature(s) on the instrument, the individual(s), or the person upon behalf of which the individual(s) acted, executed the instrument.

Signature and Office of individual taking acknowledgment

State of New York)
County of Ontario) ss.:

On the ____ day of _____ in the year ____ before me, the undersigned, personally appeared _____, personally known to me or proved to me on the basis of satisfactory evidence to be the individual(s) whose name(s) is (are) subscribed to the within instrument and acknowledge to me that he/she/they executed the same in his/her/their capacity(ies), and that by his/her/their signature(s) on the instrument, the individual(s), or the person upon behalf of which the individual(s) acted, executed the instrument.

Signature and Office of individual taking acknowledgment

TOWN OF FARMINGTON

1000 County Road #8
Farmington, NY 14425

APPENDIX: **ST - 8.0**

DATE: 2025

SCALE: N.T.S.



STORMWATER SITE OBSERVATION REPORT

(SPDES General Permit for Stormwater Discharges from Construction Activity)

Project: _____ Permit#: _____

Date: _____ Time: _____ Weather: _____ Soil Conditions: Wet Dry

Contractor: _____ Email: _____ Reviewed On Site: Yes No

Owner/Operator: _____ Email: _____ Mailbox and SWPPP Updated

Inspection Frequency: Twice a Week Weekly Monthly Follow-up Other: _____

Approximate Area Opened: _____ AC ± Has a 5-Acre Waiver Been Issued: Yes No NA

- Are the adjacent properties negatively impacted by the proposed construction? Yes No NA
- At the discharge points of the site, are there traces of turbidity or sedimentation leaving the site? Yes No NA
- At the natural surface waterbodies located within or immediately adjacent to the project, is there evidence of impacts from the project construction? Yes No NA
- Are the public roads and site access roads being kept clean of mud and debris? Yes No NA
- Is construction site litter and debris being properly managed? Yes No NA
- Have all necessary erosion and sediment control measures been installed? Yes No NA
- Are the installed erosion and sediment control measures functioning properly? Yes No NA
- Are additional erosion control measures needed? Yes No NA
- Are there areas disturbed that should be stabilized? Yes No NA
- Are soil stockpiles in appropriate locations, properly stabilized, and/or protected? Yes No NA
- Have temporary stabilization measures, no longer needed, been removed? Yes No NA
- In regard to stormwater management, is the Contractor generally following the approved plans and sequence of construction? Yes No NA
- Have deficiencies been identified with the constructed post-construction stormwater practices? Yes No NA
- Is the concrete washout area being properly maintained and utilized? Yes No NA

Comments: _____

Required attachments: Sketch of Current Site Conditions Site Photographs

Are corrective actions required within 24 hours? Yes No

Signature: _____

SWT# _____

Date: _____

TOWN OF
FARMINGTON

1000 County Road #8
Farmington, NY 14425

APPENDIX: **ST - 9.0**

DATE: 2025

SCALE: N.T.S.



NOTICE:

**THE TOWN OF FARMINGTON
IS AN MS4 COMMUNITY**

THIS PROJECT MAY BE SUBJECT TO STORMWATER INSPECTIONS BY
THE TOWN AND ITS REPRESENTATIVES.

FAILURE TO APPROPRIATELY UTILIZE AND MAINTAIN EROSION AND
SEDIMENT CONTROLS MAY RESULT IN THE ISSUANCE OF A NOTICE OF
NONCOMPLIANCE, NOTICE OF VIOLATION AND ORDER TO REMEDY,
AND/OR STOP WORK ORDER.

APPROVAL FROM THE TOWN OF FARMINGTON IS REQUIRED PRIOR TO
REDUCING SWPPP INSPECTION FREQUENCY OR FILING THE NOTICE OF
TERMINATION TO TERMINATE PERMIT COVERAGE.

(the above note block shall be added to all project plans requiring a SWPPP)

MS4 NOTES

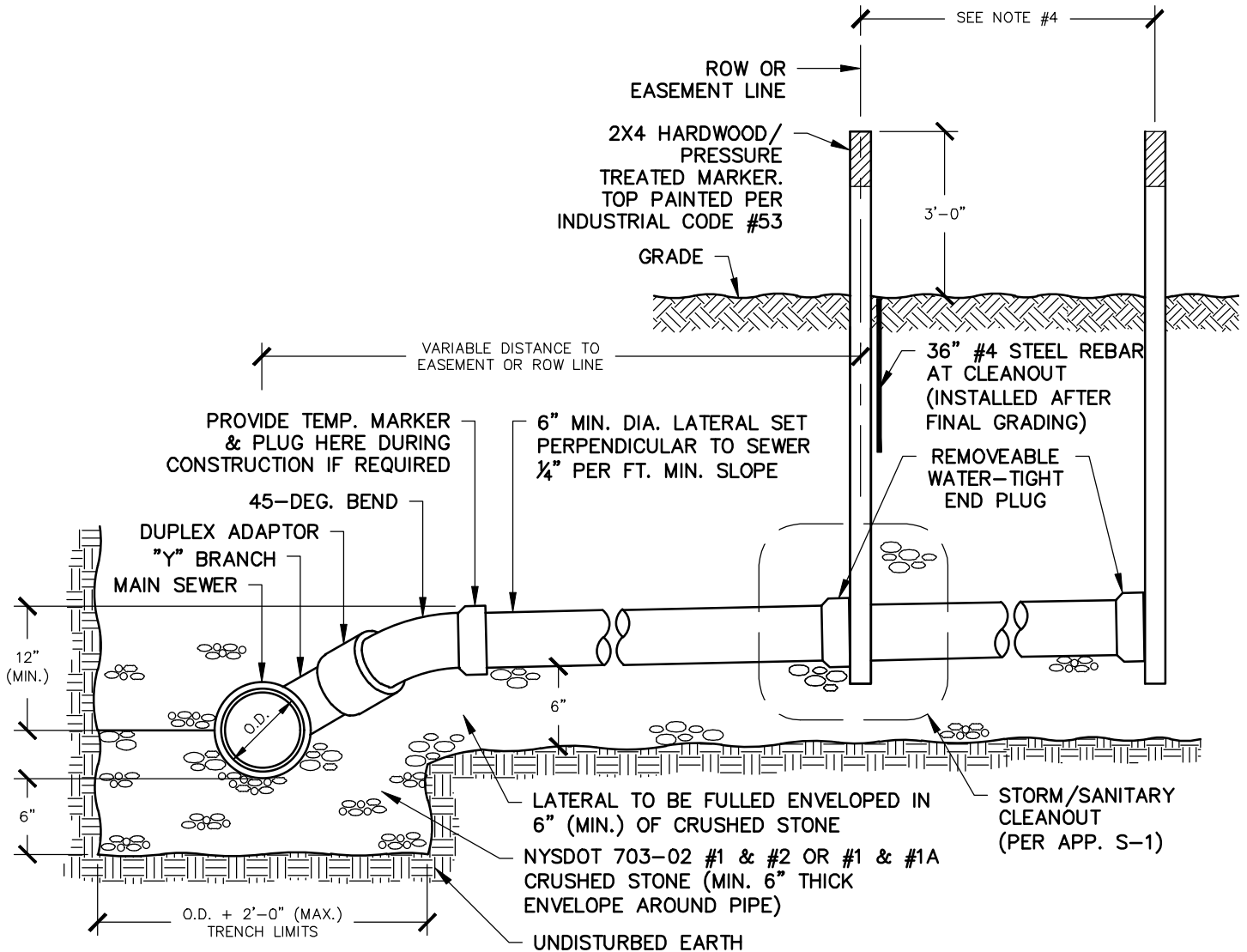
TOWN OF FARMINGTON

1000 County Road #8
Farmington, NY 14425

APPENDIX: **ST - 10.0**

DATE: 2025

SCALE: N.T.S.



NOTES:

1. ALL LATERAL PIPING TO BE GASKETED PVC SDR-35 (NO GLUE FITTINGS ALLOWED)
2. ALL TEE CONNECTIONS TO BE INSERTA TEE SEWER FITTING (REFER TO APPENDIX ST-13)
3. CLEANOUTS SHALL BE PROVIDED AT A MAXIMUM DISTANCE OF 85' AND ONE SHALL ALSO BE LOCATED ON THE R.O.W. LINE. WHERE THE SEWER IS LOCATED OUTSIDE OF HE R.O.W. AND AN EASEMENT IS PROVIDED, PLACE CLEANOUT ON EASEMENT LINE (REFER TO APPENDIX G-7: TYPICAL SERVICE PLAN).
4. EXTEND LATERAL 10' OR TO UTILITY EASEMENT (RG&E, CABLE, ETC..), WHICHEVER IS CLOSER

STORM LATERAL DETAIL

LIST OF APPENDICES

WATERMAIN DETAILS

W – 1.0	Hydrant Unit
W – 1.1	Parallel Hydrant Unit
W – 1.2	End of Main Hydrant Unit
W – 1.3	Dead End Hydrant Unit
W – 1.4	Dry Hydrant Unit
W – 2.0	Watermain Blow Off Detail
W – 3.0	Disinfection / Sampling Tap
W – 4.0	Typical Water Service
W – 5.0	Line Valve Anchor Detail
W – 6.0	Water Meter Hotbox Requirements
W – 7.0	PRV Vault
W – 8.0	Watermain Chlorination Detail
W – 9.0	Watermain Pressure Test
W – 10.0	Watermain Thrust Block Schedule
W – 10.1	Mechanical Joint Pipe Restraints
W – 11.0	Watermain / Sewer Crossing Detail
W – 12.0	Trench Detail
W – 13.0	Pipe Casing Detail

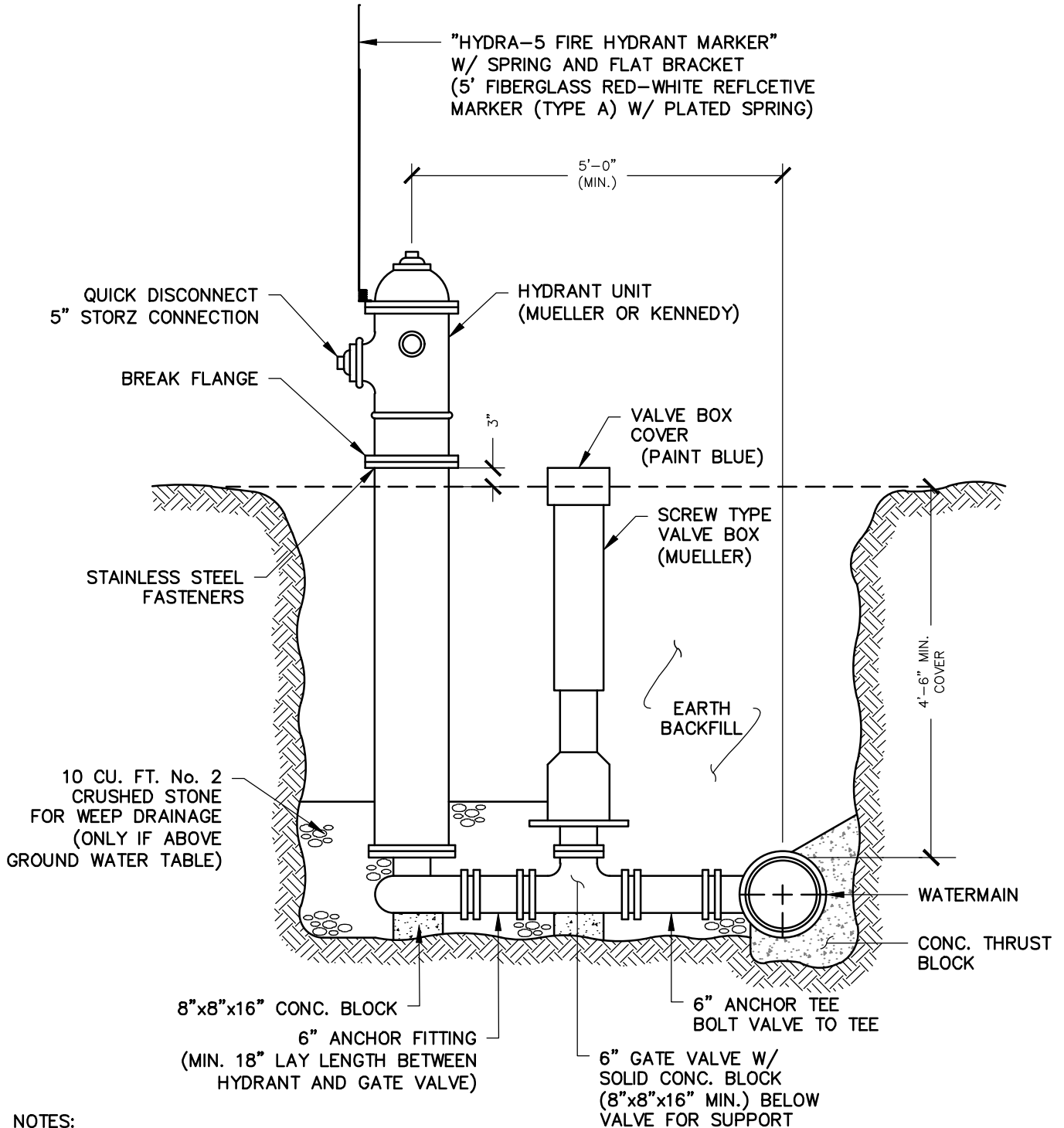
TOWN OF FARMINGTON

1000 County Road #8
Farmington, NY 14425

APPENDIX: **W - 1.0**

DATE: 2025

SCALE: N.T.S.



NOTES:

1. IF GROUND WATER IS ENCOUNTERED, THE WEEP HOLES MUST BE PLUGGED AND THE HYDRANT MARKED.
2. HYDRANTS SHALL BE PAINTED YELLOW WITH UV RESISTANT HIGH GLOSS POLYURETHANE ENAMEL.

HYDRANT UNIT

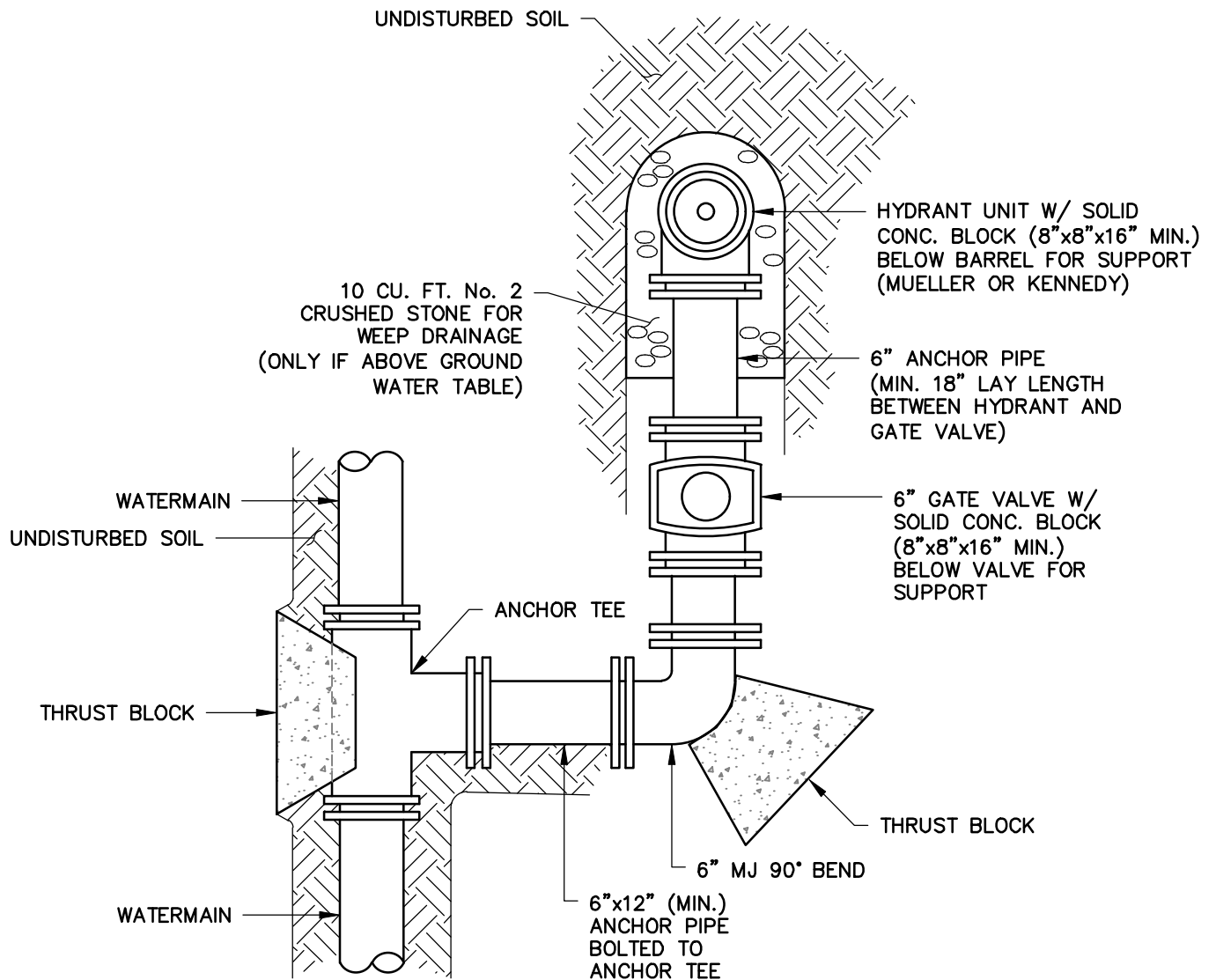
TOWN OF FARMINGTON

1000 County Road #8
Farmington, NY 14425

APPENDIX: **W - 1.1**

DATE: 2025

SCALE: N.T.S.



NOTES:

1. IF GROUND WATER IS ENCOUNTERED, THE WEEP HOLES MUST BE PLUGGED AND THE HYDRANT MARKED.
2. HYDRANTS SHALL BE PAINTED YELLOW WITH UV RESISTANT HIGH GLOSS POLYURETHANE ENAMEL.

PARALLEL HYDRANT UNIT

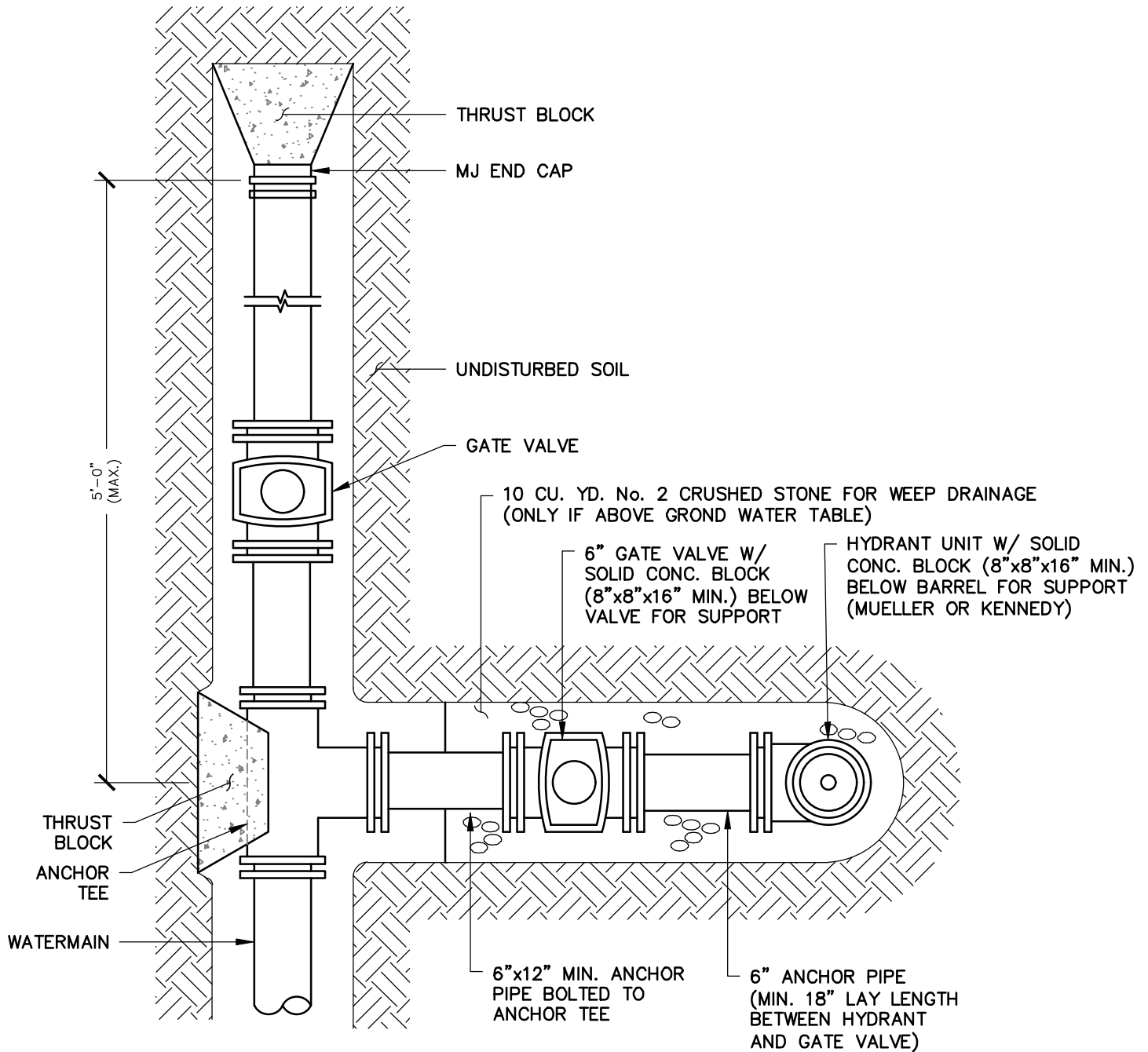
TOWN OF FARMINGTON

1000 County Road #8
Farmington, NY 14425

APPENDIX: **W - 1.2**

DATE: 2025

SCALE: N.T.S.



NOTES:

1. IF GROUND WATER IS ENCOUNTERED, THE WEEP HOLES MUST BE PLUGGED AND THE HYDRANT MARKED.
2. HYDRANTS SHALL BE PAINTED YELLOW WITH UV RESISTANT HIGH GLOSS POLYURETHANE ENAMEL.

END OF MAIN HYDRANT UNIT

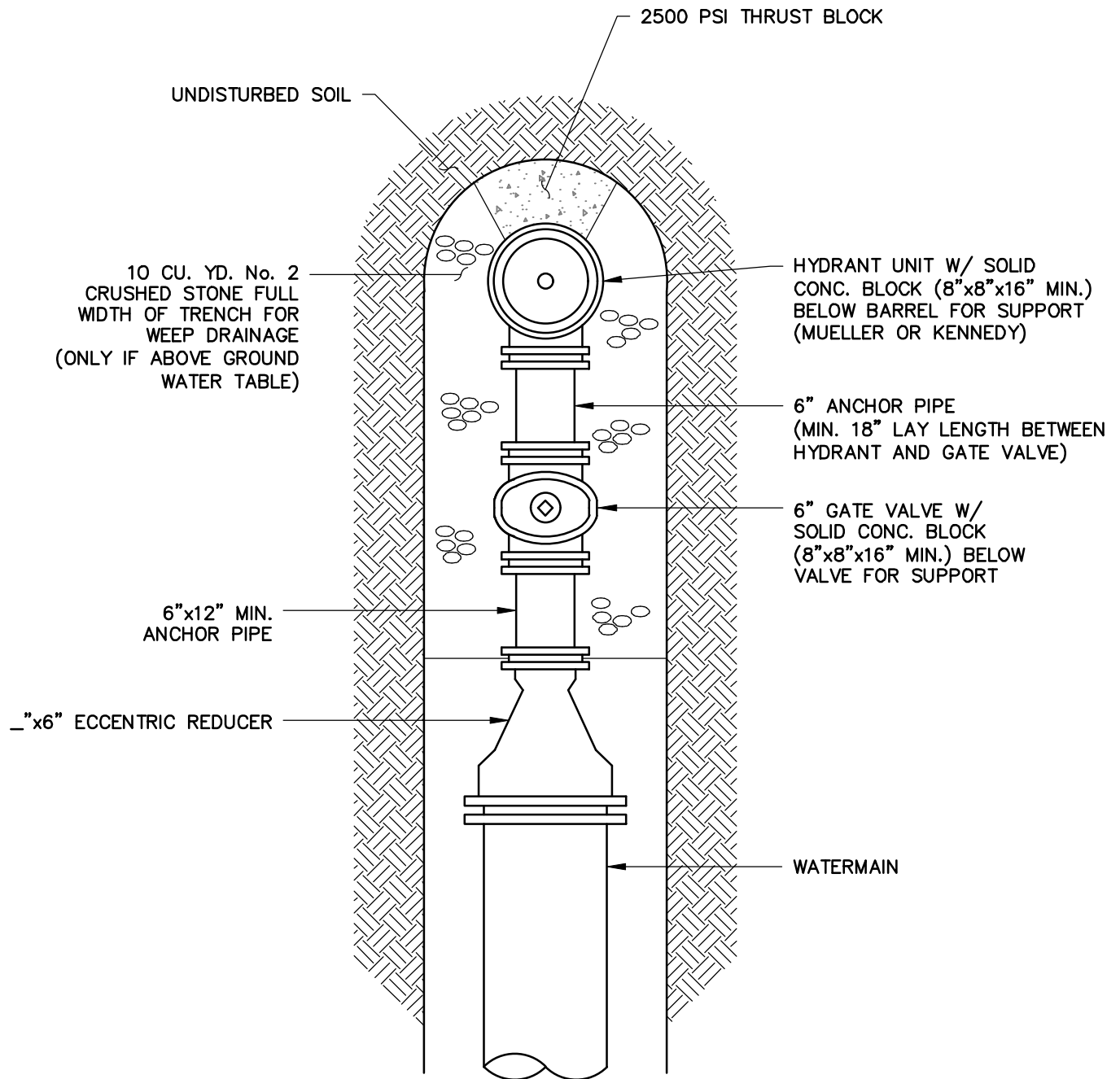
TOWN OF FARMINGTON

1000 County Road #8
Farmington, NY 14425

APPENDIX: **W - 1.3**

DATE: 2025

SCALE: N.T.S.



NOTES:

1. IF GROUND WATER IS ENCOUNTERED, THE WEEP HOLES MUST BE PLUGGED AND THE HYDRANT MARKED.
2. HYDRANTS SHALL BE PAINTED YELLOW WITH UV RESISTANT HIGH GLOSS POLYURETHANE ENAMEL.

DEAD END HYDRANT UNIT

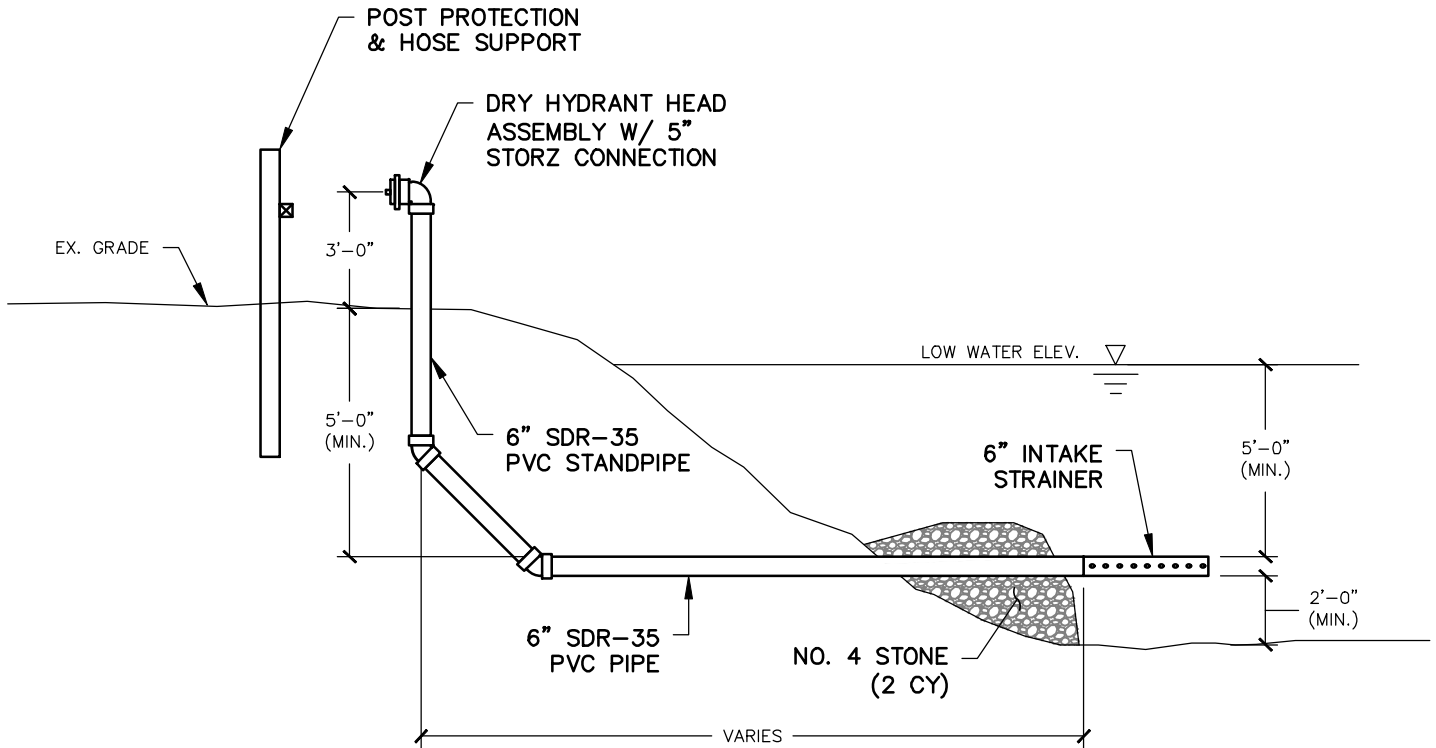
TOWN OF FARMINGTON

1000 County Road #8
Farmington, NY 14425

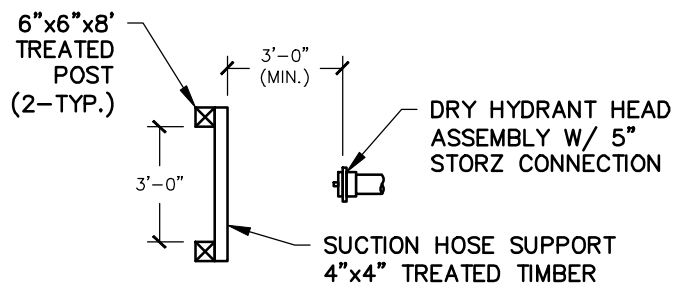
APPENDIX: **W - 1.4**

DATE: 2025

SCALE: N.T.S.



SECTION VIEW



POST PROTECTION PLAN VIEW

NOTES

1. WATER IN RISER STANDPIPE MUST REMAIN BELOW FROST LINE.

DRY HYDRANT UNIT

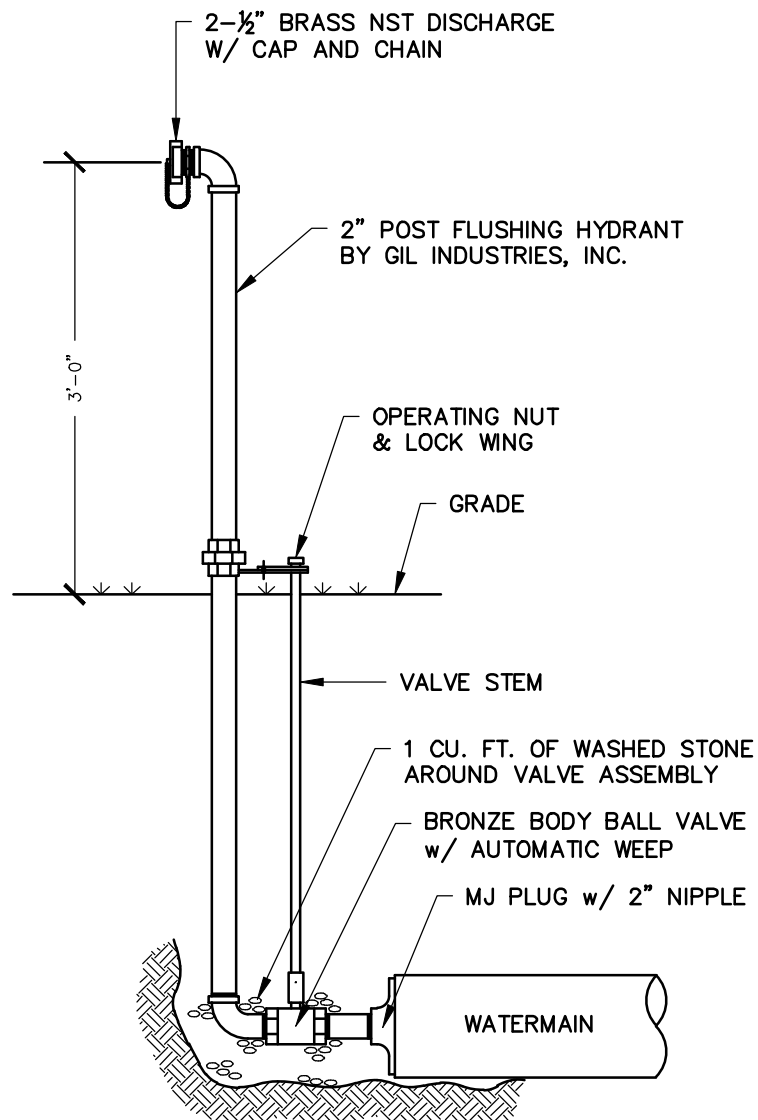
TOWN OF FARMINGTON

1000 County Road #8
Farmington, NY 14425

APPENDIX: **W - 2.0**

DATE: 2025

SCALE: N.T.S.



WATERMAIN BLOW-OFF DETAIL

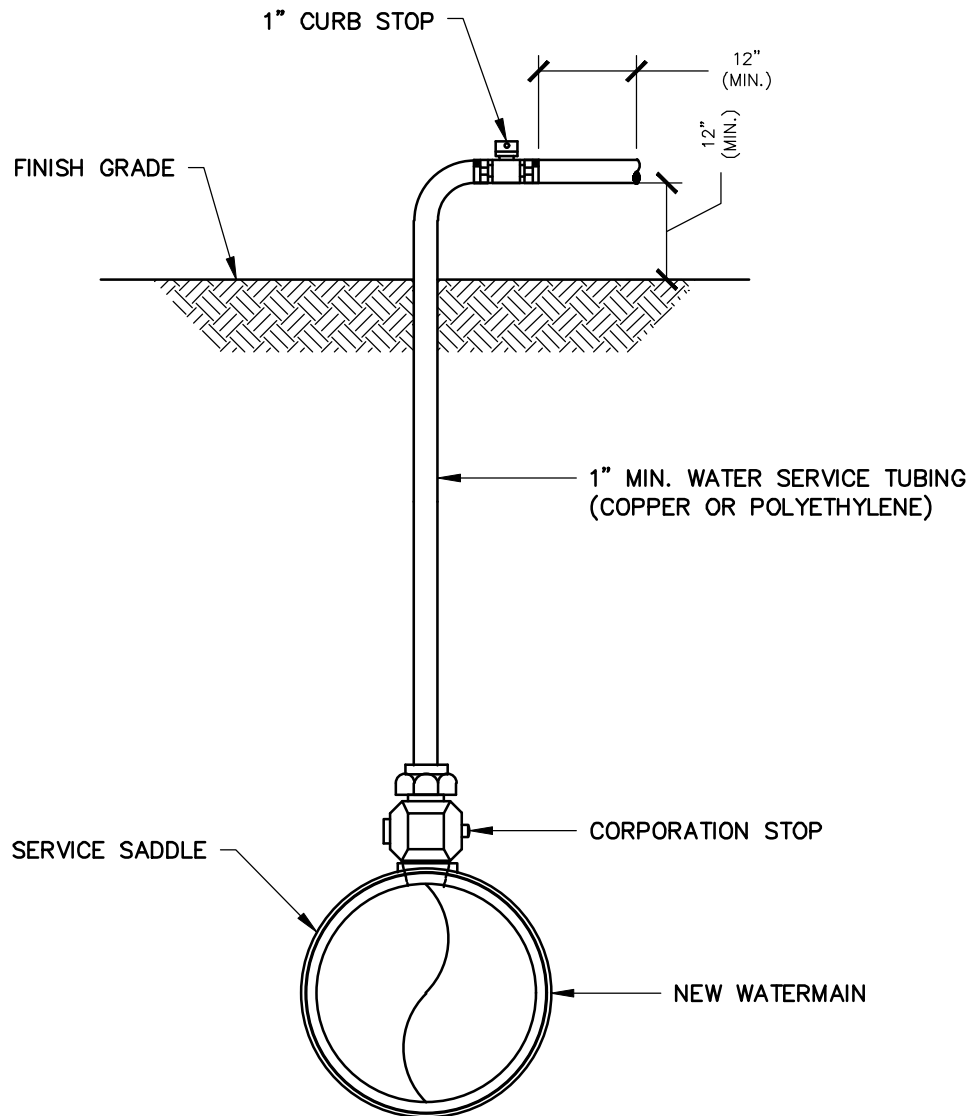
TOWN OF FARMINGTON

1000 County Road #8
Farmington, NY 14425

APPENDIX: **W - 3.0**

DATE: 2025

SCALE: N.T.S.



NOTES:

1. UPON NOTIFICATION FROM THE HEALTH DEPARTMENT THAT A SATISFACTORY WATER SAMPLE HAS BEEN OBTAINED, AND PRIOR TO PLACING THE WATER MAIN IN SERVICE THE CONTRACTOR SHALL REMOVE ALL CORPORATIONS ASSOCIATED WITH TEMPORARY FACILITIES (I.E. SAMPLING TAPS, ETC.) AND REPLACE WITH THREADED BRASS PLUGS.
2. 1000 LF MAXIMUM DISTANCE BETWEEN SAMPLE TAPS UNLESS OTHERWISE SPECIFIED BY ENGINEER.

DISINFECTION / SAMPLING TAP

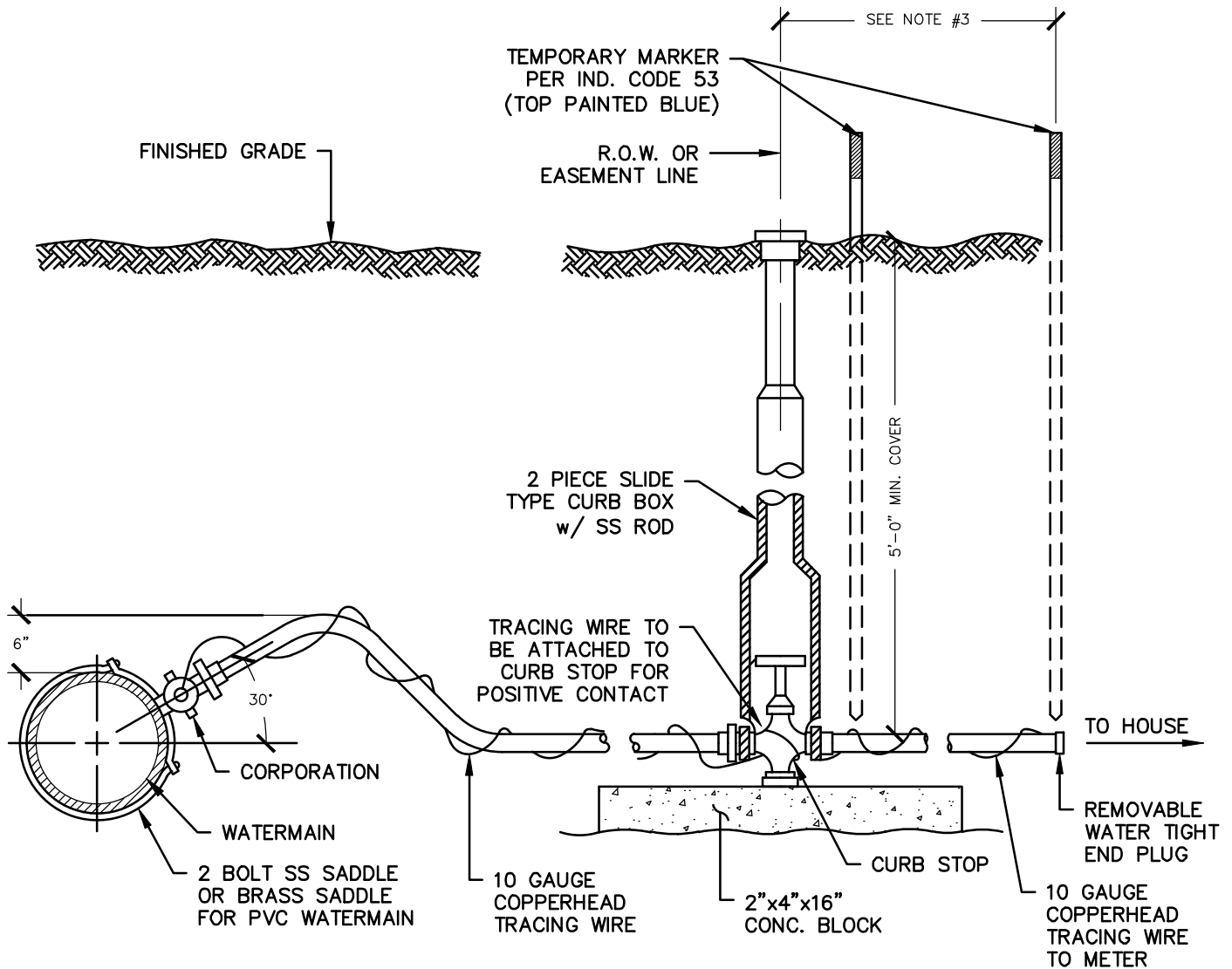
TOWN OF FARMINGTON

1000 County Road #8
Farmington, NY 14425

APPENDIX: **W - 4.0**

DATE: 2025

SCALE: N.T.S.



NOTES:

1. ALL RESIDENTIAL SERVICES SHALL BE 1" MIN. DIAMETER MUNICIPEX AND BE ENCASED IN A SAND ENVELOPE.
2. CURB STOP SHALL BE LOCATED AT THE R.O.W. LINE. WHERE THE WATERMAIN IS LOCATED OUTSIDE OF THE R.O.W. AND AN EASEMENT IS PROVIDED, PLACE CURB STOP ON EASEMENT LINE (REFER TO APPENDIX G-7: TYPICAL SERVICE PLAN)
3. EXTEND LATERAL 10' OR TO UTILITY EASEMENT (RG&E, CABLE, ETC,) WHICHEVER IS CLOSER.

TYPICAL WATER SERVICE

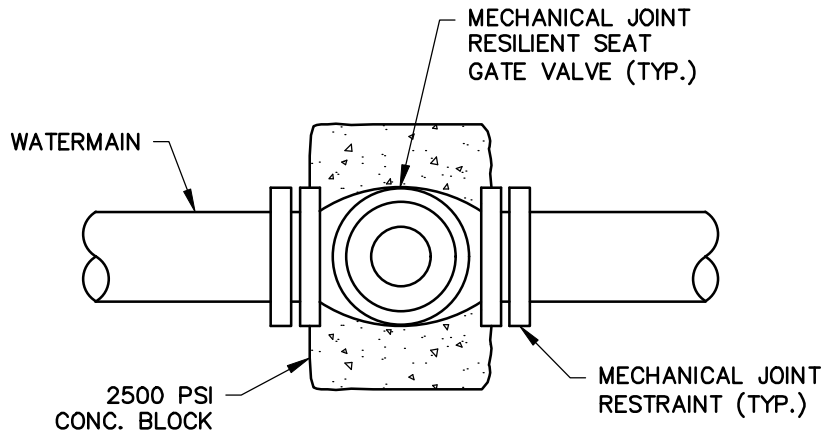
TOWN OF
FARMINGTON

1000 County Road #8
Farmington, NY 14425

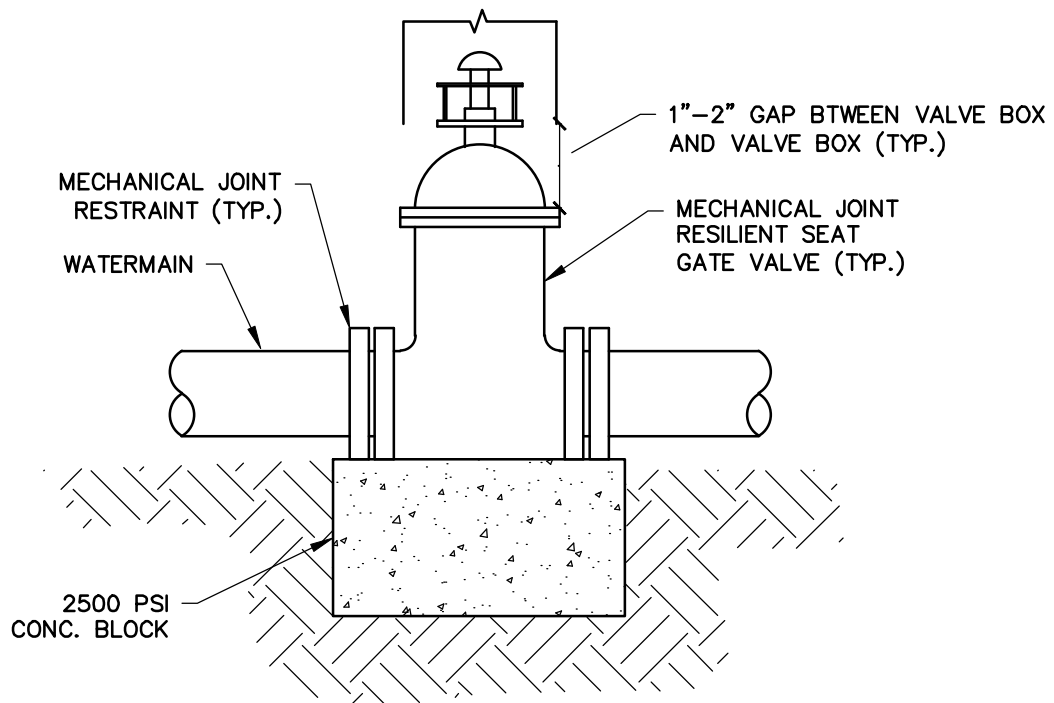
APPENDIX: **W - 5.0**

DATE: 2025

SCALE: N.T.S.



PLAN VIEW



SIDE VIEW

NOTES:

1. VALVE BOX SHALL BE CENTERED ON VALVE AND SET ON COMPACTED BACKFILL. IN NO CASE SHALL THE VALVE BOX BE SUPPORTED BY THE VALVE.

LINE VALVE ANCHOR DETAIL

TOWN OF
FARMINGTON

1000 County Road #8
Farmington, NY 14425

APPENDIX: **W - 6.0**

DATE: 2025

SCALE: N.T.S.



WATER METERS WHERE REQUIRED BY THE TOWN OF FARMINGTON, AT A MINIMUM SHALL BE IN ACCORDANCE WITH THE FOLLOWING REQUIREMENTS AND AS ORDERED BY THE TOWN WATER SUPERINTENDENT.

1. THE METER SHALL BE INSTALLED IN AN ABOVE GRADE ENCLOSURE WITH THE FOLLOWING FEATURES:
 - INSTALLED ON A 6" (MIN.) REINFORCED CONCRETE PAD.
 - INSULATED, 1-1/2" (R10) MINIMUM.
 - THERMOSTATICALLY CONTROLLED HEATER SET TO MAINTAIN A MINIMUM INTERIOR TEMPERATURE OF 40°F.
 - LOW TEMPERATURE ALARM
 - HINGED/REMOVABLE PANELS TO ALLOW ACCESS FOR MAINTENANCE.
 - MATERIAL/COLOR/FINISH SHALL BE SUBMITTED TO WATER SUPERINTENDENT FOR APPROVAL.
 - DRAIN PORTS THAT ALLOW WATER TO DISCHARGE OUT OF THE ENCLOSURE. PORTS SHALL BE DESIGNED TO PREVENT WIND FROM ENTERING THE ENCLOSURE.
2. METER SHALL BE ULTRASONIC TYPE BY BADGER METER.
3. ISOLATION GATE VALVES SHALL BE INSTALLED UPSTREAM AND DOWNSTREAM OF THE METER FOR REMOVAL/MAINTENANCE.
4. ALL PIPING AND FITTINGS IN THE ENCLOSURE SHALL BE FLANGED DUCTILE IRON.
5. PIPING AND VALVES SHALL BE ADEQUATELY SUPPORTED.
6. PIPE BOLLARDS OR OTHER FORM OF PROTECTION FROM VEHICLES SHALL BE PROVIDED AROUND THE ENCLOSURE IF NECESSARY BASED ON SITE LAYOUT AND LOCATION.

WATER METER HOT BOX REQUIREMENTS

TOWN OF FARMINGTON

1000 County Road #8
Farmington, NY 14425

APPENDIX: **W - 7.0**

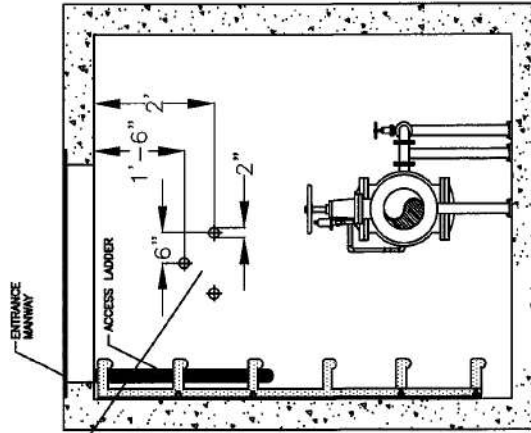
DATE: 2025

SCALE: N.T.S.

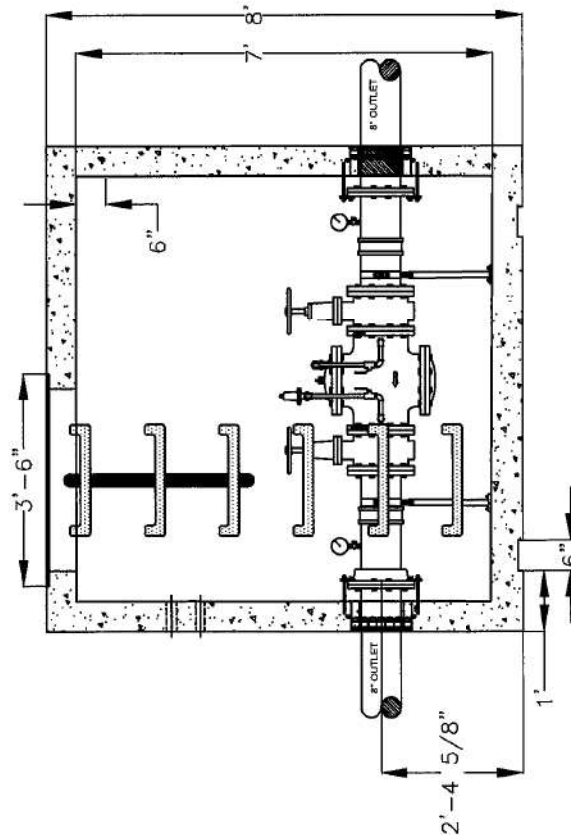
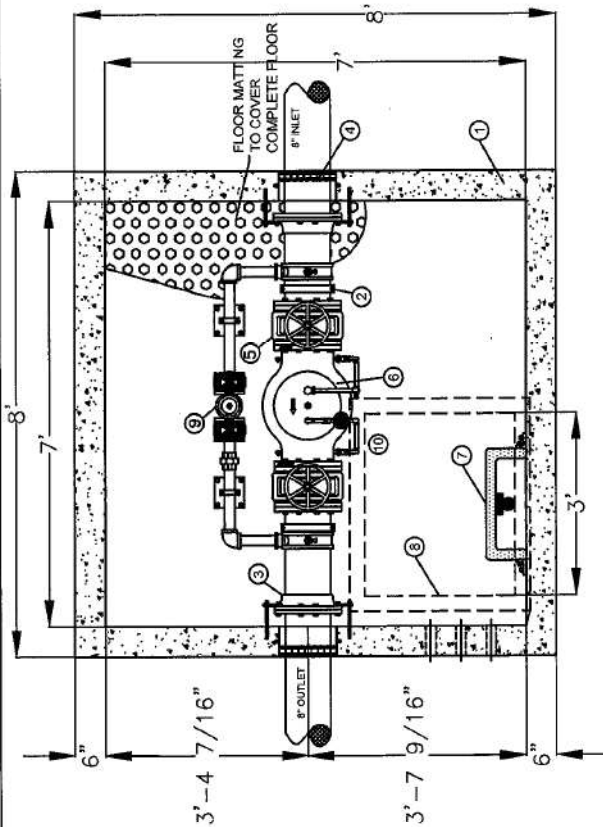


ITEM	DESCRIPTION
1	PRECAST CONCRETE VAULT 7'X7'X7' ID
2	PIPE 8"
3	UNION FLANGE 8"
4	WALL PENETRATION CLOSURE TYP.
5	GATE VALVE 8" TYP.
6	PRESSURE REDUCING VALVE 8"
7	ALUMINUM ACCESS LADDER
8	HATCH 3'-6" X 3"
9	2" HIGH 23WR PRV
10	PRESSURE GAUGE 1/2" TAP & BALL VALVE

NOTES:
 - VAULT FLOOR SLOPES TO SUMP.
 - INTERIOR & EXTERIOR SANDBLASTED & COATED.



3'-2" DIA. OPENINGS
PLUGGED FOR FUTURE USE



PRV VAULT

ROSS VALVE Mfg. Co., Inc.
 6 OAKWOOD AVENUE - TROY, NEW YORK, 12180 - TEL. (518) 274 0961
 POST OFFICE BOX 595 - TROY, NEW YORK, 12181 - FAX (518) 274 0210
 WEBSITE: www.rossvalve.com - E-MAIL: sales@rossvalve.com

DRAWING 08-40WR 02-98EP WITH HATCH DATE 9-24-08 CSV
 GLOBE BODY 8" NO SCALE FIGURE

PRV VALVE VAULT 8" with 2" 98EP By-pass
 TRYON DROUGHT RELIEF

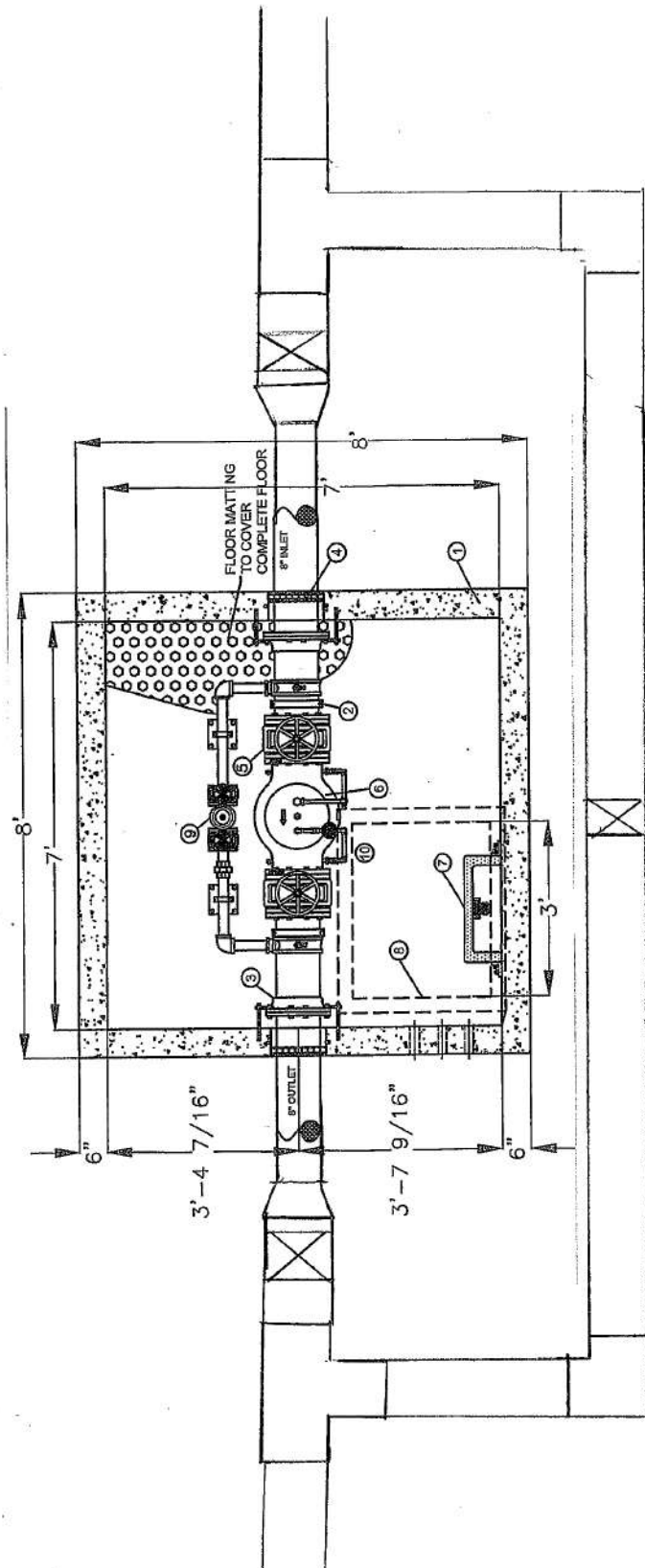
TOWN OF FARMINGTON

1000 County Road #8
Farmington, NY 14425

APPENDIX: **W - 7.0**

DATE: 2025

SCALE: N.T.S.



PRV VAULT

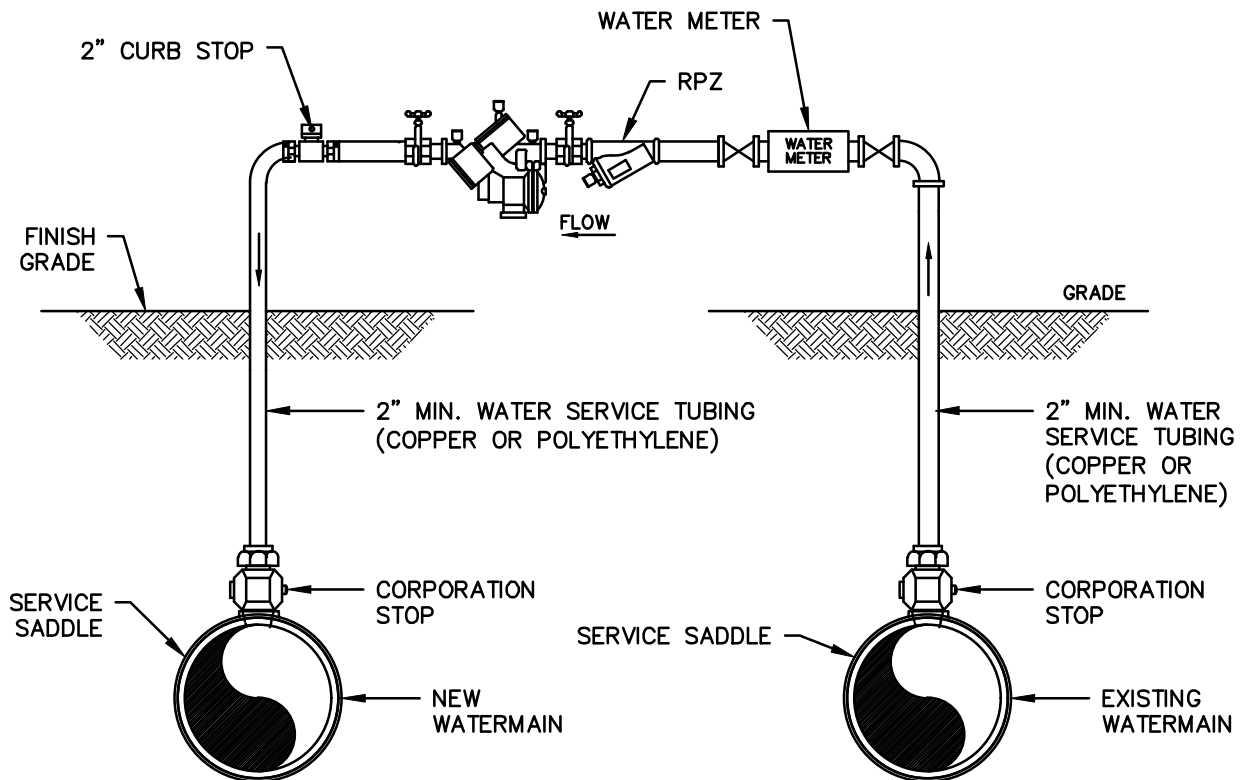
TOWN OF FARMINGTON

1000 County Road #8
Farmington, NY 14425

APPENDIX: **W - 8.0**

DATE: 2025

SCALE: N.T.S.



NOTES:

1. SUPPLY DISINFECTION AND BLOW OFF TUBING SHALL BE SIZED PER AWWA STANDARDS. CONNECTIONS USED FOR FLUSHING WATERMAINS MUST BE SIZED TO MEET AWWA STANDARDS C-651 VELOCITY SPECIFICATIONS.
2. BACKFLOW PROTECTION SHALL BE INSTALLED BEFORE ANY USE OF THE MUNICIPAL WATER SUPPLY.
3. FIRE HYDRANT MAY BE USED IN PLACE OF A SUPPLY TUBING FROM THE EXISTING MAIN.
4. THE WATER AND SEWER DEPARTMENT RESERVES THE RIGHT TO MODIFY THESE REQUIREMENTS.

WATERMAIN CHLORINATION DETAIL

TOWN OF
FARMINGTON

1000 County Road #8
Farmington, NY 14425

APPENDIX: **W - 9.0**

DATE: 2025

SCALE: N.T.S.



1. TEST PRESSURE TO BE 150 P.S.I. OR 1.5 x WORKING PRESSURE, WHICHEVER IS GREATER.
2. PRESSURE TESTS SHALL BE CONDUCTED SO THE PIPE SECTIONS ARE WITHIN 10 PSI OF THE TEST PRESSURE LOCATION.
3. PRESSURE TESTS SHALL BE CONDUCTED FOR A MINIMUM OF 2 HOURS WITH NO ALLOWABLE LOSS.

WATERMAIN PRESSURE TEST

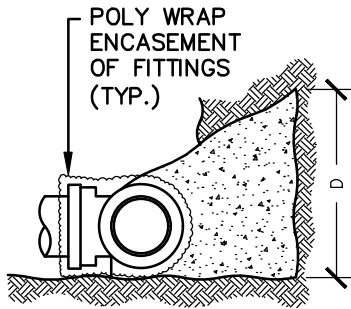
TOWN OF FARMINGTON

1000 County Road #8
Farmington, NY 14425

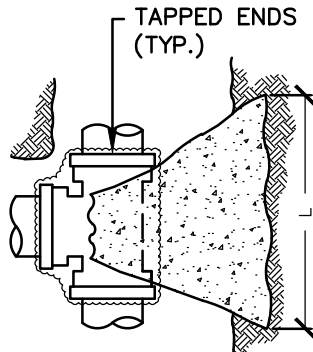
APPENDIX: **W - 10.0**

DATE: 2025

SCALE: N.T.S.

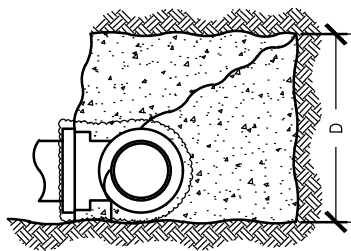
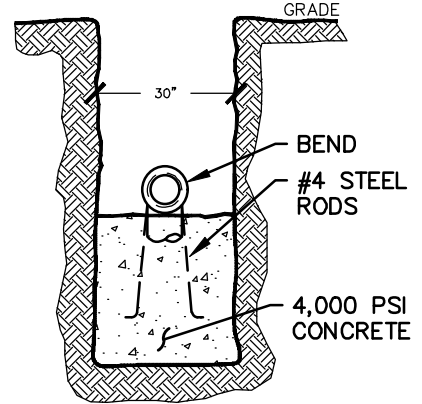


SECTION



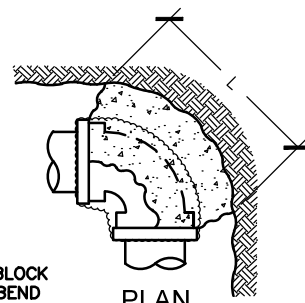
PLAN

TEE



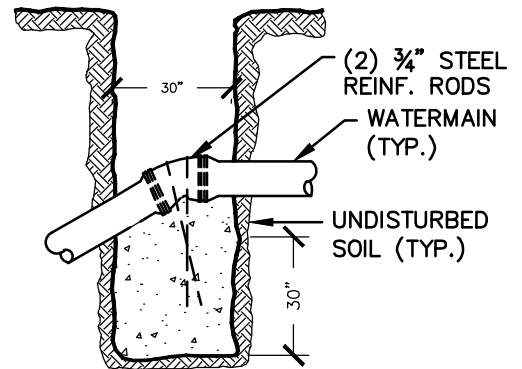
SECTION

TYPICAL THRUST BLOCK SHOWN FOR 90° BEND



PLAN

BEND



VERTICAL

WATERMAIN THRUST BLOCK DETAIL

PIPE SIZE (INCHES)	WORKING PRESSURE (PSIG)	TEE OF PLUG		90° BEND		45° BEND		22-1/2° BEND	
		L	D	L	D	L	D	L	D
4	150	2.00	1.25	2.75	1.25	2.00	1.00	1.25	.75
	250	2.75	1.50	3.00	2.00	2.50	1.25	1.50	1.00
6	150	2.75	2.00	4.00	2.00	2.75	1.50	2.25	1.00
	250	4.00	2.25	5.25	2.50	3.50	2.00	2.75	1.25
8	150	4.50	2.25	5.25	2.75	3.75	2.00	3.75	2.00
	250	5.50	3.00	6.75	3.50	5.25	2.50	3.75	1.75
10	150	5.25	3.00	6.75	3.25	4.75	2.50	3.50	1.75
	250	7.50	3.50	8.75	4.25	6.25	3.25	4.50	2.25
12	150	6.50	3.50	8.00	4.00	5.75	3.00	4.50	2.00
	250	8.75	4.25	10.25	5.25	7.75	3.75	5.25	2.75
14	150	7.75	4.00	9.00	4.75	6.75	3.50	5.00	2.40
	250	10.25	5.00	12.00	6.00	8.75	4.50	6.25	3.25
16	150	9.00	4.50	10.75	5.25	7.75	4.00	5.75	2.75
	250	11.50	5.75	14.00	6.75	10.25	5.00	7.00	3.75

NOTES:

1. ALL DIMENSIONS ARE IN FEET.
2. BEARING AREAS ARE BASED ON ALLOWABLE SOIL BEARING PRESSURE OF 2000 PSF.
3. HEIGHT OF THRUST BLOCK SHOULD BE EQUAL TO OR LESS THAN 1/2 THE DEPTH FROM THE GROUND SURFACE TO THE BASE OF THE BLOCK.
4. ALL THRUST BLOCKS SHALL CURE A MINIMUM OF SEVEN (7) DAYS BEFORE ANY PRESSURE TESTS ARE CONDUCTED.
5. CONCRETE SHALL BE MINIMUM 3000 PSI.
6. RESTRAINING RODS MAY BE USED IN LEIU OF THRUST BLOCKS. METHOD TO USED SHALL BE APPROVED BY ENGINEER PRIOR TO PLACEMENT.

WATERMAIN THRUST BLOCK SCHEDULE

TOWN OF FARMINGTON

1000 County Road #8
Farmington, NY 14425

APPENDIX: **W - 10.1**

DATE: 2025

SCALE: N.T.S.



PIPE SIZE (INCHES)	90° BEND	45° BEND	22.5° BEND	11.25° BEND	SIZE ON SIZE TEE	DEAD END
4	13 FT.	—	—	—	—	29 FT.
6	17 FT.	8 FT.	4 FT.	3 FT.	BR.	36 FT.
8	22 FT.	10 FT.	5 FT.	3 FT.	3 FT.	48 FT.
12	33 FT.	14 FT.	7 FT.	4 FT.	23 FT.	76 FT.
14	38 FT.	16 FT.	7 FT.	4 FT.	32 FT.	97 FT.
16	44 FT.	18 FT.	9 FT.	4 FT.	46 FT.	110 FT.

NOTES:

1. RECOMMENDED RESTRAINED LENGTHS FOR STRAIGHT TEES ASSUME A MINIMUM 10' LENGTH OF PIPE ATTACHED TO EACH SIDE OF THE RUN.
2. BR. ONLY INDICATES RESTRAINT AT TEE BRANCH ONLY.
3. ALL BENDS (DEGREE CHANGES) ARE CALCULATED AS HORIZONTAL.
4. DEAD-END SERVICE CONSTITUTES CAPS, PLUGS, VALVES AND HYDRANTS.

HORIZONTAL BEND RESTRAINT

PIPE SIZE (INCHES)	90° BEND	45° BEND	22.5° BEND	11.25° BEND
6	35/10	14/6	7/3	4/2
8	45/13	22/10	11/5	5/2
12	65/19	31/14	16/7	7/3
14		40/16	19/8	10/4
16		45/18	22/9	11/4

NOTES:

1. ALL BENDS (DEGREE CHANGES) ARE CALCULATED AS VERTICAL. THE FIRST RESTRAINED LENGTH (FEET) IS FOR THE HIGH-SIDE BEND(S) AND THE SECOND RESTRAINED LENGTH (FEET) INDICATES THE LOW-SIDE BEND(S). LENGTHS WERE CALCULATED USING A CONSISTENT 5 FOOT DEPTH OF COVER FOR THE WATERMAIN.

VERTICAL BEND RESTRAINT

PIPE SIZE (INCHES)	TEE (REDUC.)	STRAIGHT REDUCER
8 X 4	BR.	55/29
8 X 6	BR.	22/17
12 X 6	BR.	81/42
12 X 8	BR.	54/36
12 X 10	BR.	20/17
16X 10	BR.	48/30
16 X 12	BR.	29/32

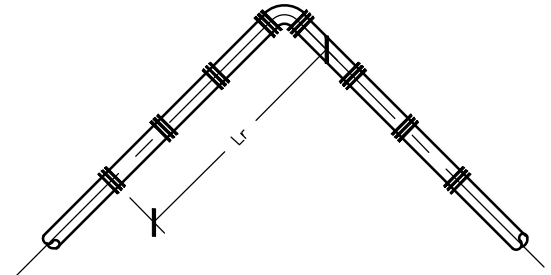
PIPE SIZE (INCHES)	VALVE LR
6	40'
8	40'
12	76'
14	97'
16	110'

RESTRAINED LENGTHS FOR REDUCING FITTINGS

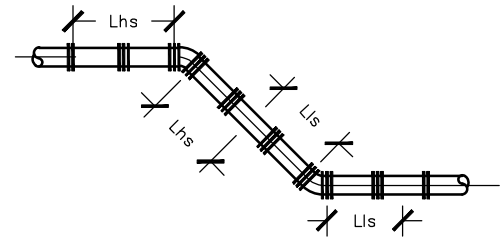
RESTRAINED LENGTHS FOR VALVES

NOTES:

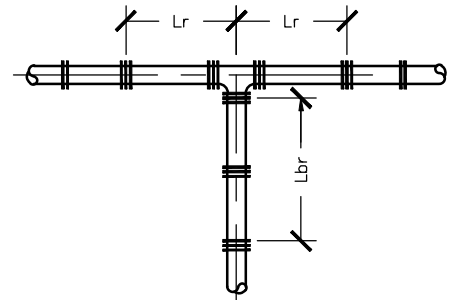
1. RECOMMENDED RESTRAINED LENGTHS FOR STRAIGHT TEES ASSUME A MINIMUM 10' LENGTH OF PIPE ATTACHED TO EACH SIDE OF THE RUN.
2. BR. ONLY INDICATES RESTRAINT AT TEE BRANCH ONLY.
3. STRAIGHT REDUCER UNOBSTRUCTED RESTRAINED LENGTHS OFFER THE OPTION OF RESTRAINING RECOMMENDED DISTANCES ON THE SMALL-END SIDE (FIRST RESTRAINED LENGTH PROVIDED) OR THE LARGE-END SIDE (SECOND RESTRAINED LENGTH PROVIDED).



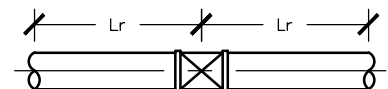
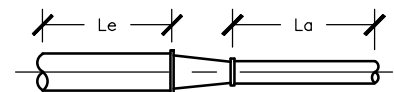
HORIZONTAL BEND



VERTICAL DOWN BEND AND OFFSET



TEE



MECHANICAL JOINT PIPE RESTRAINTS

TOWN OF FARMINGTON

1000 County Road #8
Farmington, NY 14425

APPENDIX: **W - 11.0**

DATE: 2025

SCALE: N.T.S.



CONDITION	SCHEMATIC	REQUIREMENTS
I WATER LINE ABOVE SEWER LINE		A) WATER LINE AND SEWER LINE PIPE LENGTHS TO BE CENTERED AT CROSSING. EACH LENGTH OF PIPE TO BE 10 FT. MINIMUM. B) BACKFILL WITH COMPACTED CRUSHER RUN STONE.
II WATER LINE ABOVE SEWER LINE		A) WATER LINE AND SEWER LINE PIPE LENGTHS TO BE CENTERED AT CROSSING. EACH LENGTH OF PIPE TO BE 10 FT. MINIMUM. B) WHEN BOTH WATER LINE AND SEWER LINE ARE NEW, SLEEVE SEWER LINE WITH STEEL CASING FOR 10 FT. EACH SIDE OF CROSSING. C) WHEN ONE LINE IS EXISTING, SLEEVE PIPE BEING INSTALLED WITH STEEL CASING FOR 10 FT. EACH SIDE OF CROSSING. D) BACKFILL WITH COMPACTED CRUSHER RUN STONE.
III SEWER LINE ABOVE WATER LINE		A) WATER LINE AND SEWER LINE PIPE LENGTHS TO BE CENTERED AT CROSSING. EACH LENGTH OF PIPE TO BE 10 FT. MINIMUM. B) SLEEVE SEWER LINE WITH STEEL CASING FOR 10 FT. EACH SIDE OF CROSSING. C) PROVIDE CRADLE OF CONCRETE OR CRUSHER RUN STONE (SEE TRENCH DETAIL BELOW) FOR WATER LINE AND SEWER LINE FOR 10 FT. EACH SIDE OF CROSSING.
NOTES		
WL (WATER LINE) SL (SEWER LINE) D (OUTSIDE DIAMETER OF PIPE)		
IN NO CASE SHALL PIPES BE CLOSER THAN 18" APART. DISTANCES ARE MEASURED BETWEEN OUTSIDES OF PIPE.		

WATERMAIN / SEWER CROSSING DETAIL

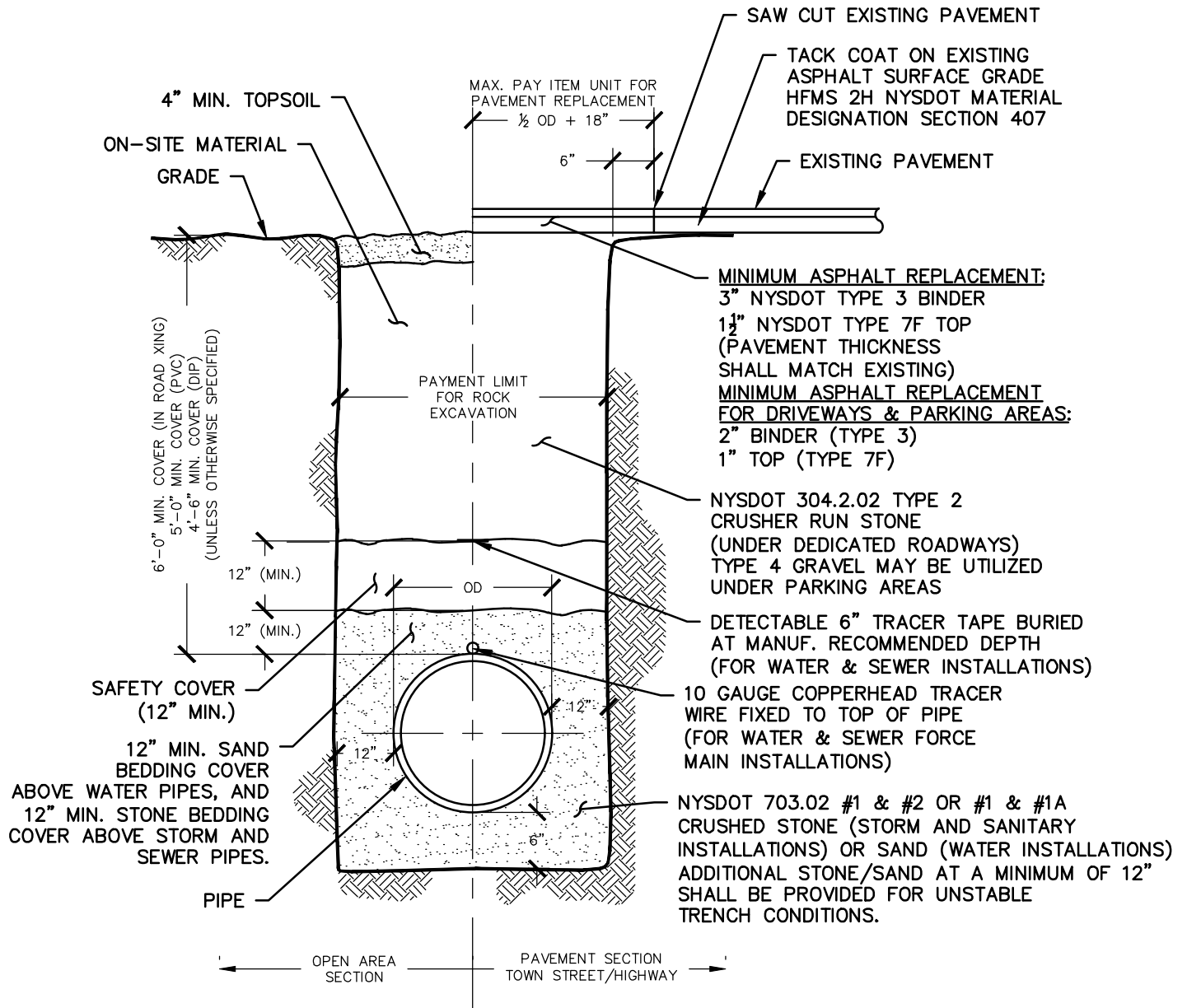
TOWN OF FARMINGTON

1000 County Road #8
Farmington, NY 14425

APPENDIX: **W - 12.0**

DATE: 2025

SCALE: N.T.S.



NOTES:

1. BACKFILL AND BEDDING MATERIALS SHALL BE AS INDICATED ABOVE OR AS SPECIFIED BY THE WATER SUPERINTENDENT.
2. COMPACTION TESTING IS REQUIRED FOR ALL ROAD CROSSINGS. TESTING REPORTS TO BE PROVIDED TO TOWN.

TRENCH DETAIL

TOWN OF FARMINGTON

1000 County Road #8
Farmington, NY 14425

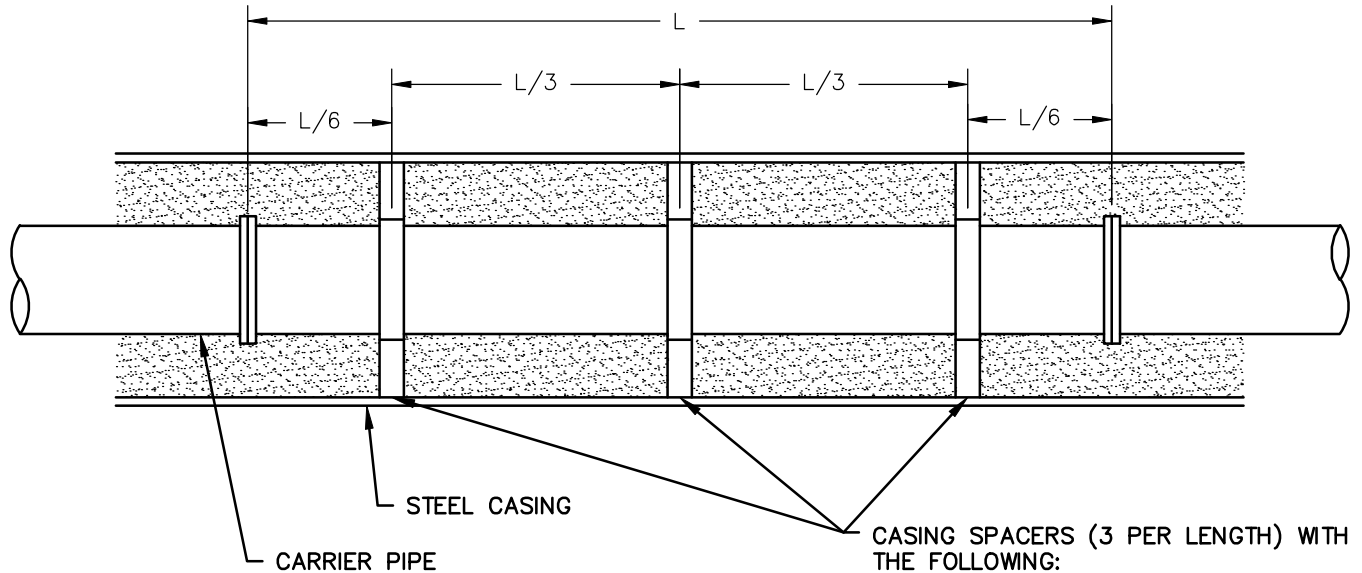
APPENDIX: **W - 13.0**

DATE: 2025

SCALE: N.T.S.

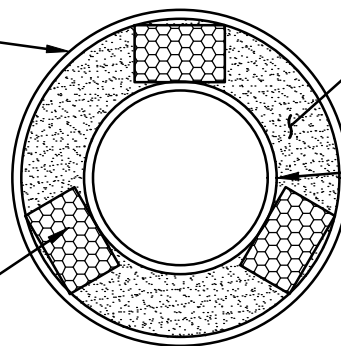


NOTE:
12' MAX. DISTANCE BETWEEN SPACERS.
CASING SPACERS SHALL BE SPACED A
MINIMUM OF 1'-0" FROM EACH SIDE OF
JOINT.



- 14 GAUGE T304 STAINLESS CLAMPS
- PVC LINERS
- STAINLESS STEEL BOLTS
- POLYMER RUNNERS

WELDED, COATED STEEL SLEEVE
PER ASTM A-139 JACKED OR
BORED UNDER ROAD



FILL ALL VOIDS WITH FLOWABLE FILL

WATERMAIN OR SEWER MAIN

SPACERS ATTACHED TO MAIN
TO FACILITATE INSTALLATION

MAIN SIZE	MINIMUM CASING O.D.	MIN. WALL THICKNESS FOR STEEL CASING
4"	10"	0.188"
6"	12"	0.188"
8"	16"	0.239"
12"	20"	0.281"
16"	26"	0.375"

PIPE CASING DETAIL